



Transformer Product Catalog

power to perform

TABLE OF CONTENTS

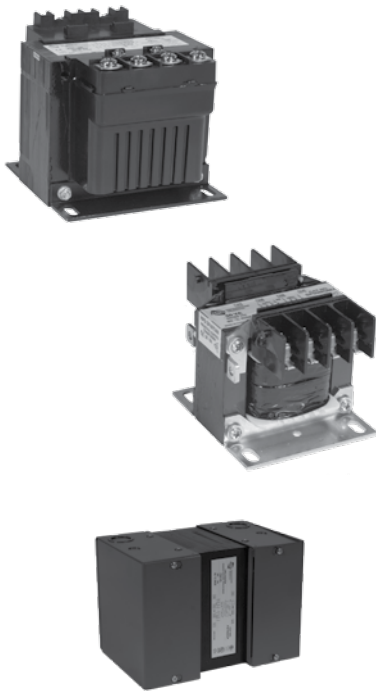
INTRODUCTION



HPS, The Company.....	2
Transformer Terminology.....	4
Types of Transformers.....	11
General Transformer Construction Features.....	14
Transformer Basics.....	17
Selecting Transformers.....	19
Compliance with Engineering Standards.....	21
Transformer Test Standards.....	21
Quality Management Systems.....	23
HPS Standard Enclosures.....	24
HPS Warranty.....	26

SECTION 1

Industrial Control & General Purpose Enclosed Transformers



Control Transformer Quick Selection Charts.....	28
What is a Control Transformer?.....	29
Overcurrent Protection.....	30
HPS Imperator® Machine Tool Industrial Control Transformers	
Features & Benefits.....	34
Selection Tables.....	36
Optional Accessories.....	43
Wiring Schematic Drawings.....	63
HPS Spartan® Industrial Open-Style Core & Coil Control Transformers	
Features and Benefits.....	46
Selection Tables.....	47
Optional Accessories.....	52
Wiring Schematic Drawings.....	74
HPS Fusion™ General Purpose Enclosed Transformer	
Features and Benefits.....	54
Selection Tables.....	55
Optional Accessories.....	60
Wiring Schematic Drawings.....	74
Q Series Enclosed Potted Control Transformer	
Applications, Features and Specifications.....	61
Selection Tables.....	62
Wiring Schematic Drawings.....	244

SECTION 2

Buck-Boost Transformers



Why use Buck-Boost Transformers?.....	80
Buck-Boost Transformer Specifications.....	80
Steps for Selecting Buck-Boost Transformers.....	81
Single Phase Selection Tables.....	82
Three Phase Selection Tables.....	85
Single Phase Specification Tables.....	88
Three Phase Specification Tables.....	89
Single Phase Connection Diagrams.....	90
Three Phase Connection Diagrams.....	91
Buck-Boost Transformers - Questions & Answers.....	93



TABLE OF CONTENTS

SECTION 3

Three Phase Line Reactors and DV/DT Filters



Why choose a Line Reactor?	98
Construction Features	100
HPS Centurion R Reactor	
Specifications.....	101
Part Number Guide and Selection Tables.....	102
Core & Coil Specification Table	105
Enclosed Specification Table.....	111
Connection Diagrams	120
Termination Details.....	120
Core & Coil Reference Drawings	121
RC DV/DT Filter	
Applications	117
Specifications.....	118
Part Number Guide and Selection Table.....	119
Core & Coil Reference Drawings.....	122

SECTION 4

Drive Isolation Transformers



Description & Applications.....	124
Selecting Drive Isolation Transformers	124
Standard Drive Isolation Transformers	
Aluminum and Copper Standard Specifications	125
Aluminum Selection Tables	126
Copper Selection Tables	130
Termination Details	135
HPS Tribune™ Energy Efficient Drive Isolation Transformers	
Aluminum and Copper Standard Specifications	136
Aluminum Selection Table	137
Copper Selection Tables	141
Termination Details	146
Enclosure Dimensional Drawings	226
Accessories	238
Electrical Schematics and Connections	243

SECTION 5

Motor Starting Autotransformers



Description and Applications.....	148
Copper Standard Specifications and Core & Coil Dimensional Drawings	149
Copper, Three Phase, 2-Coil Selection Tables	150
Copper, Three Phase, 3-Coil Selection Tables	151
Optional Thermostats	152

SECTION 6

Low Voltage Lighting Transformers



Single Phase Applications, Features and Specifications.....	154
Group A Selection Table	155
Group B Selection Table.....	155
Group C Selection Table	155
Enclosure Dimensional Drawings.....	228

TABLE OF CONTENTS

SECTION 7

Energy Efficient Distribution Transformers



Low Voltage Distribution Transformer Energy Efficiency Requirements	158
HPS Energy Efficient Distribution Transformer Product Offering	160

HPS Sentinel® - Energy Efficient General Purpose

Standard Single Phase, Aluminum and Copper Standard Specifications	161
HPS Sentinel® - Single Phase, Selection Tables	162
Standard Three Phase, Aluminum and Copper Standard Specifications	165
HPS Sentinel® - Three Phase, Selection Tables	166

HPS Synergy® Energy Efficient K-Factor

K-Factor, Harmonics and Non-Linear Loads	173
Standard Three Phase, Aluminum and Copper Standard Specifications	175
HPS Synergy® - Three Phase, Selection Tables	176

HPS Centurion® Energy Efficient Harmonic Mitigating Transformers

600V Class Harmonic Mitigating Transformers	179
Standard Three Phase, Aluminum and Copper Standard Specifications	180
HPS Centurion® - Three Phase, Selection Tables	181

Enclosure Dimensional Drawings	226
Accessories	238
Termination Details	242
Electrical Schematics and Connections	243

SECTION 8

Encapsulated Dry-Type Distribution Transformers



HPS Fortress Commercial Encapsulated Transformers

Applications and Features	190
Single Phase, Standard Specifications	192
Single Phase, Selection Tables	193
Three Phase, Standard Specifications	196
Three Phase, Selection Tables	197

HPS TITAN Industrial Encapsulated Transformers

Applications	199
Features and Benefits	199
Single Phase Standard Specifications	200
Single Phase Selection Tables	201
Three Phase Standard Specifications	203
Three Phase Selection Tables	204

Enclosure Dimensional Drawings	228
Accessories	238
Electrical Schematics and Connections	243

SECTION 9

Mini Power Plus



HPS PowerPlus Mini Power Center

Description and Applications	208
Features and Benefits	209
Single Phase Selection Tables	210
Enclosure Dimensional Drawings	235
Electrical Schematics and Connections	256

TABLE OF CONTENTS

SECTION 10

Autotransformers



Description and Applications	212
Three Phase Standard Specifications.....	212
Three Phase Selection Tables.....	213
Enclosure Dimensional Drawings	226
Accessories	238
Electrical Schematics and Connections	243

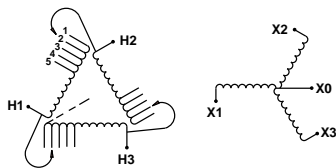
SECTION 11

General Purpose Medium Voltage Transformers



Medium Voltage Energy Efficient Guidelines	216
Energy Efficient Guidelines for the U.S.	216
Energy Efficient Guidelines for Canada	217
HPS Millennium Energy Efficient Medium Voltage Transformers	
Medium Voltage Applications and Specifications.....	218
Single Phase Aluminum Selection Tables.....	219
Single Phase Copper Selection Tables.....	220
Three Phase Aluminum Selection Tables	221
Three Phase Copper Selection Tables	223
Enclosure Dimensional Drawings	226
Accessories	238
Termination Details.....	242
Electrical Schematics and Connections	243

GENERAL INFORMATION



Detailed Enclosure Dimensional Drawings.....	226
Conduit Size vs. Knockout Size Reference Table.....	230
Accessories - For General Purpose Transformers	238
Termination Details.....	242
Electrical Schematics and Connections.....	243
Alpha-Numeric Part Number Index.....	259
HPS Transformer Literature Request Form.....	276



INTRODUCTION

HPS, The Company	2
Transformer Terminology	4
Principles of a Transformer	10
Types of Transformers	11
General Transformer Construction Features	14
Transformer Basics	17
Selecting Transformers	19
Compliance With Engineering Standards	21
Transformer Test Standards	21
ISO 9001:2008.....	23
HPS Standard Enclosures	24
HPS Transformer Warranty	26

INTRODUCTION

THE COMPANY

Established in 1917, Hammond Power Solutions Inc. (HPS), is an industry leader in magnetic transformer design and development. With our headquarters in Guelph, Canada, HPS operates out of multiple facilities globally. HPS has expanded its manufacturing and product base to offer the broadest ranges of both standard and specialty transformers

Our engineering experience and capability has resulted in a computer database of over one million transformer designs. We offer the most cost effective, highest quality transformers in order to satisfy your requirements.

There are HPS facilities in Canada, USA, Mexico, Italy and India to service your global needs.

The products featured in this catalog are produced in facilities with the most modern manufacturing processes. All products are available through your local **Authorized HPS Distributor**.



COMPETITIVE EDGE

North American stand-alone leader for the design and manufacture of standard & custom electrical engineered dry-type transformers.

- Multi-national manufacturing presence
- Multiple channels to market
- Highly regarded for our engineering expertise
- Dominant Supplier in the transformer industry
- Globally recognized and respected

APPLICATIONS

Offering thousands of standard transformers from 25VA to 5MVA and specials up to 34MVA, HPS can meet the needs of your application.

HPS transformers are suitable for any commercial, industrial, manufacturing or production process application. In addition to conventional indoor applications, our dry-type transformers can be built for outdoor locations, including applications where airborne contaminants pose a risk to electrical equipment.

CUSTOMER SERVICE

Our inside sales team are available to answer your questions immediately. They are technically trained and are able to answer most questions on the phone. Stock checks, expediting, quotations or technical information are always readily available. Our commitment to customer service means you will be an informed, relaxed and satisfied customer as quickly as possible. Call our Inside Sales team and let us serve you.



INTRODUCTION

DESIGN CAPABILITIES

Our history and experience in transformer magnetic design is the very best in the industry. Our extensive testing program, including all qualification tests and short circuit testing, plus an exemplary field service record, ensures that our products not only meet all the standards necessary, but more importantly, fulfill your expectations and requirements.

All HPS designs are cost effective and the transformers are built with modern manufacturing techniques. We particularly emphasize our 'Value Added Engineering' where our design staff will work directly with your team to produce the optimum and cost effective solution for your application. Our fully computerized design and CAD facilities permits quick and effective communication when time is vital.



A RELIABLE SOURCE

For over 95 years, HPS has continued to grow from a small family business to the industry leader in dry-type transformer technology. Our customers have come to rely on our products and services and continue to depend on us for support at the most critical stages of their need. Our stability and integrity as a supplier are paramount particularly in an industry where demands must be resolved quickly and effectively.



TECHNICAL SUPPORT

The experienced HPS technical team is available to help you with your application or design questions. Call our regional offices for assistance.

QUALITY ASSURANCE

HPS has been regarded for its quality since its very inception. With our commitment to 'Excellence' and 'Continuous Improvement', we build value and reliability into every HPS product. We feel that no other transformer company can offer comparable flexibility for service and quality in a full range of products. All our units are designed to meet ANSI, CSA, UL, IEC, RoHS and NEMA standards.



TRANSFORMER TERMINOLOGY

Air Cooled

A transformer which uses "air" as the cooling medium. This term is abbreviated with the ANSI designation AA, indicating open, natural draft ventilated construction.

Ambient Noise Level

The noise level of the surrounding area, measured in decibels (dB).

Ambient Temperature

The inherent or existing temperature of the atmosphere surrounding a transformer into which its heat is dissipated.

Ampere

Is the unit of measurement for electric current flow.

ANSI

American National Standards Institute Inc. - one of the recognized organizations which specifies the standards for transformers.

Autotransformer

A transformer which has only one winding per phase, part of which is common to both the primary and secondary circuits.

Banked

Two or more single phase transformers connected together to supply a three phase load.

BIL

Basic impulse level is a means to express the ability of the insulation system to withstand high voltage surges.

Buck Boost Transformer

Two-winding, single phase transformer with low voltage secondary windings which can be connected as an autotransformer. Used to raise or lower single and three phase line voltages by 10 - 20%.

Cast Coil Transformer

Transformer with coils solidly cast in epoxy resin under vacuum in a mold. Also called cast resin or epoxy cast coil transformers.

Center Tap

A reduced capacity tap at the midpoint in a winding.

Coil

Turns of electrical grade wire or strip conductor material wound on a form, referred to as a winding.

Coil Hot-Spot Temperature

The absolute maximum temperature present in the transformer. This number is equal to the sum of the ambient temperature, temperature rise and a variable.
 $T_{\text{Hot Spot}} = T_{\text{ambient}} + T_{\text{rise}} + (10-20)^{\circ}\text{C}$.

Common Mode

Electrical noise or voltage disturbance that occurs between all of the line leads and the common ground, or between the ground plane and either line or the neutral.

Compensated Transformer

A transformer with a turns ratio which provides a higher than rated voltage at no load and rated voltage at rated load. These transformers CANNOT be used for reverse feed.

Continuous Rating

The constant load which a transformer can carry its rated primary voltage and frequency, without exceeding its specified temperature rise.

Control Transformer

A transformer which is designed to supply good voltage regulation characteristics when low power factor or high inrush current is drawn. Sometimes referred to as an Industrial Control Transformer.

Core

Electrical grade steel laminations which carry the magnetic flux.

Core Loss

Losses in watts caused by magnetization of the core and its resistance to magnetic flux when excited or energized at rated voltage and frequency. Also referred to as excitation loss or no-load loss.

Current Transformer

Transformer generally used in control or instrumentation circuits for measuring current.

Delta Connection (Δ)

The delta connection is a standard three phase connection with the ends of each phase winding connected in series to form a closed loop with each phase 120 degrees from the other.

Delta Wye (ΔY)

Delta wye is a term indicating the primary connected in delta and the secondary in wye when pertaining to a three phase transformer bank or three phase transformer.

Dielectric Tests

These tests consist of the application of a voltage higher than the rated voltage for a specified time, for the purpose of determining the adequacy against breakdowns of insulating materials and spacings under normal conditions.

DOE 2016

The Department of Energy (DOE) has established new and more stringent Energy Efficiency levels for transformers in the United States effective January 1, 2016.

Dry-Type Transformer

A dry-type transformer is one in which the transformer core and coils are not immersed in liquid.

Dual Winding

A winding consisting of two separate parts which can be connected in series or parallel. Also referred to as dual voltage or series-multiple winding.

Efficiency

The percentage of power transferred from the input of equipment to the output of equipment in Watts. (power out/ power in x 100)

Electrostatic Shield

Copper or other conducting material placed between the primary and secondary winding and grounded to reduce electrical interference and to provide additional protection.

Exciting Current (No-Load Current)

Current which flows in any winding used to excite the transformer when all other windings are open-circuited. It is usually expressed in percent of the rated current of a winding in which it is measured.

Encapsulated

Transformer with its coils either encased or cast in an epoxy resin or other encapsulating materials.

FCAN

Full Capacity Above Normal. This designates that a transformer will deliver its rated kVA when connected to a voltage source which is higher than the rated voltage.

FCBN

Full Capacity Below Normal. Same as FCAN except that the taps are below rated voltage.

Fan Cooled

A transformer cooled mechanically to maintain its rated temperature rise, typically using auxiliary fans to accelerate heat dissipation.

Flexible Connection

A non-rigid connection used to reduce transmission of noise and vibration.

Flux Density

The magnetic field strength in the core, typically measured in Telsa or Gauss.

Frequency

On AC circuits, designates the number of times the polarity alternates from positive to negative and back again, such as 60 cycles per second. Measured in Hertz.

Full Capacity Tap

A full capacity tap is one through which the transformer can deliver its rated kVA output without exceeding the specified temperature rise.

Grounding Transformer

A special three phase autotransformer for establishing a neutral on a 3-wire delta secondary. Also referred to as a Zig-Zag transformer.

INTRODUCTION

TERMINOLOGY CONTINUED . . .

Grounds or Grounding

Connecting one side of a circuit to the earth through low resistance or low impedance paths.

Harmonic

A Harmonic is a sinusoidal component of a periodic wave having a frequency that is a multiple of the fundamental frequency. For example, a component whose frequency is twice the fundamental frequency is referred to as the second harmonic, (120 Hz is the 2nd harmonic of 60 Hz).

Hertz (Hz)

A term for AC frequency in cycles per second.

High Voltage and Low Voltage Windings

These terms are used to distinguish the winding having the greater voltage rating from that having the lesser in two winding transformers.

Hi Pot

High potential dielectric test impressed on the windings to check insulation materials and clearances.

Impedance

The apparent resistance in a circuit to the flow of an alternating current analogous to the actual resistance to a direct current.

Impulse Test

Dielectric test which determines BIL capability by applying high frequency, steep wave-front voltage between windings and ground.

Induced Potential Test

A standard dielectric test which verifies the integrity of insulating materials and electrical clearances between turns and layers of a transformer winding.

Inductance

A property which opposes a change in current flow.

Inrush Current

High transient current, caused by residual flux in the core, which may be drawn when a transformer is energized.

Insulating Materials

Those materials used to electrically insulate the transformer's windings; turn-to-turn or layer-to-layer, and other assemblies in the transformer such as the core and busswork.

Isolation Transformer

A transformer which insulates the primary circuit from the secondary circuit. Also referred to as a two-winding or insulating transformer.

KVA

Kilovolt ampere rating designates the output which a transformer can deliver for a specified time at rated secondary voltage and rated frequency without exceeding the specified temperature rise. (1 kVA = 1000 VA, or 1000 volt amperes)

Knockouts

Easily removable circle of metal in an enclosure which eliminates the need for punching holes for conduit.

Lamination

Thin sheets of special steel used to make the core of a transformer.

Line Reactor

A device whose primary purpose is to introduce a specific amount of inductive reactance into a circuit, usually to reduce or control current.

Load

The load of a transformer is the power in kVA or volt amperes supplied by the transformer.

Load Losses

Losses in a transformer which are incident to load carrying. Load losses include I^2R loss in the windings due to load current, stray loss due to stray fluxes in the windings, core clamps, etc., and to circulating currents (if any), in parallel windings.

Mini Power Center

A pre-wired power center that combines primary breaker, secondary power panel, and a dry-type shielded transformer.



Mid-tap

A reduced capacity tap midway in a winding. Also referred to as a 'Center tap'. Usually in the secondary winding.

Moisture Resistance

Materials or equipment constructed or treated so that it will not be harmed readily by exposure to a moist atmosphere.

NEC

National Electric Code

NEMA

National Electrical Manufacturers Association.

No-Load Losses (Excitation Losses)

Loss in a transformer which is excited at rated voltage and frequency, but without a load connected to the secondary. No-load losses include core loss, dielectric loss, and copper loss in the winding due to exciting current.

Overload

When a transformer is overloaded, excessive heat develops and the insulation system begins to breakdown. Life expectancy of the transformer is decreased due to heat exceeding the rating of the insulation system.

Parallel Operation

Single and three phase transformers may be operated in parallel by connecting similarly marked terminals, provided their ratios, voltages, resistances, reactances and ground connections are designed to permit parallel operation. Current and voltage angular displacements are also required to be the same in the case of three phase transformers.

Phase

Type of AC electrical circuit, usually single phase 2 wire or 3 wire, or three phase, 3 or 4 wire.

Polarity

Designates the instantaneous direction of voltages in the primary compared to the secondary.

Potential (Voltage) Transformer

A transformer generally used in instrumentation circuits for measuring or controlling voltage.

Power Factor

The relation of watts to volt amps in a circuit.

Primary Taps

Taps added to the primary winding. (see Taps)

Primary Voltage Rating

Designates the input circuit voltage for which the primary winding is designed.

Primary Winding

The primary winding is the winding on the energy input (supply) side.

Rating

The design characteristics, such as primary and secondary voltage, kVA capacity, temperature rise, frequency, etc.

Ratio (Voltage)

A reference to either the primary to secondary winding turns ratio or to the voltage ratio of the transformer.

Ratio Test

A standard test of transformers to determine the ratio of the primary to secondary voltage.

Reactance

The impedance component due to inductance and/or capacitance.

Reactor

A single winding device with an air or iron core which produces a specific amount of inductive reactance into a circuit, usually to reduce or control current.

Rectifier Transformer

A transformer designed to supply AC input to a rectifier to obtain the desired DC output and have the ability to withstand the heating effects caused by rectifier commutation or ripple.

RCBN - Reduced Capacity Below Normal

Taps which carry full-rated winding current only, thus reducing available power because of lower output voltage.

Terminology Continued...

Regulation

Usually expressed as the percent change output voltage when the load goes from full load to no load at a given power factor.

SCR

A silicon-controlled rectifier.

Saturation

Saturation is a natural condition in which an increase in current results in a decrease in inductance.

Scott Connection

Connection for polyphase using two special single phase transformers. Usually used to change from two phase to three phase or three phase to two phase.

Secondary Voltage Rating

Designates the no-load circuit voltage for which the secondary winding (winding on the output side) is designed.

Secondary Winding

The transformer winding connected to the load or output side.

Series/Multiple

A winding consisting of two or more sections which can be connected for series operation or multiple (parallel) operation. Also referred to as dual voltage or series-parallel.

Short Circuit

A short circuit condition occurs when an abnormal connection or relatively low impedance, whether made accidentally or intentionally, occurs between two points of different potential in a circuit.

Solid State Device

One which contains components that do not depend on electronic conduction in a vacuum or gas. The electrical function is performed by semiconductors or the use of otherwise completely static components such as resistors or capacitors.

Step-Down Transformer

A transformer that typically has the output voltage in the secondary (LV) winding lower than the input voltage in the primary (HV) winding.

Step-Up Transformer

A transformer that typically has the output voltage in the secondary (LV) winding higher than the input voltage in the primary (HV) winding.

Tap

A tap is a connection brought out of a winding at some point between its extremities, usually to permit changing the voltage or current ratio.

T-Connection

A Scott connected three phase transformer utilizing two primary and two secondary coils called the main and the teaser.

Temperature Class

The maximum temperature that the insulation can continuously withstand. Class of insulation system in a transformer, i.e.

Class 105°C

Class 150°C

Class 180°C

Class 220°C

Temperature Rise

The increase over ambient temperature of the winding due to energizing and loading the transformer.

Total Losses

The transformer electrical losses which include no-load losses (core losses) and load losses (winding losses).

Transformer

A static electrical device which by electromagnetic induction transforms energy at one voltage and current to another voltage and current at the same frequency.

Transient

A temporary or brief change in a given parameter. This is typically associated with input voltage or output load parameters.

Transformer Tests

Normal, routine production tests include: (1) core loss; (2) load loss - winding or copper loss; (3) impedance; (4) hi-pot - high voltage between windings and ground; (5) induced - double induced two times voltage. Optional special tests include: (a) heat run - temperature testing; (b) noise tests - sound level measurement; (c) impulse tests - BIL tests; (d) partial discharge.

Transverse Mode

Electrical noise or voltage disturbance that occurs between phase and neutral (between lines), or from spurious signals across the metallic hot line and the neutral conductor.

UL

Underwriters Laboratories

VPI Impregnation

A vacuum and pressure impregnation process using a resin which is then oven cured to completely seal and protect the surface of a transformer and provides a strong mechanical bond. This process is standard on all HPS transformer products.

Voltage Regulation

The change in secondary voltage which occurs when the load is reduced from rated value to zero, with the value of all other quantities remaining unchanged. Regulation may be expressed in percent (per unit) on the basis of rated secondary voltage at full load.

Volt-Amperes (VA)

The current flowing in a circuit multiplied by the voltage of the circuit. An expression of the output rating of a transformer.

Wye Connection

A standard 3-wire transformer connection with similar ends of the single phase coils connected. This common point forms the electrical neutral point and may be grounded.

Zig Zag Connection

Special transformer connection commonly used in grounded transformers. See also grounding transformers.

WHAT IS A TRANSFORMER?

A transformer is an electrical device which converts alternating current from one voltage to another. It can be designed to increase or decrease voltages and works on the magnetic induction principle. A transformer has no moving parts and is a completely static, solid state device, which insures under normal operating conditions, a long and trouble-free life. A transformer consists of two or more coils of insulated wire wound on a laminated steel core. When voltage is introduced into one coil (called the primary), it magnetizes the iron core. As a result, a voltage is induced into the secondary, or output coil. The change of voltage (voltage ratio) between the primary and secondary depends on the turns ratio of the two coils.

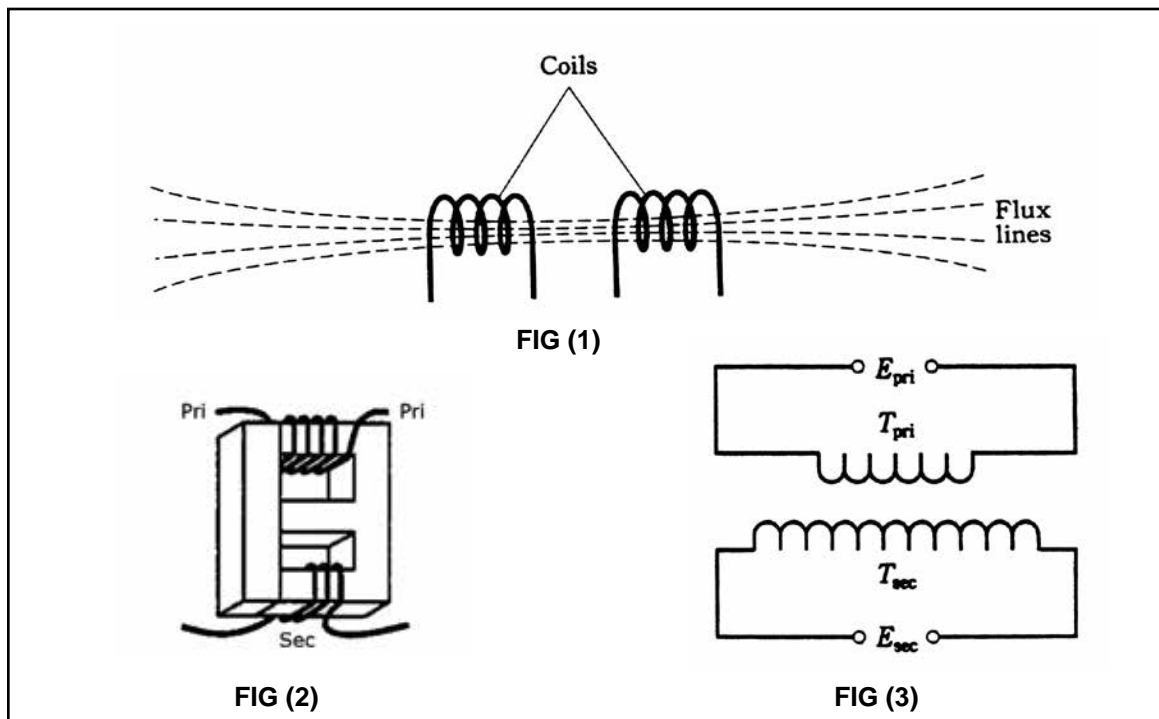
WHAT DOES A TRANSFORMER DO?

Principle of Operation

A transformer operates on the principle of magnetic induction. Each transformer consists of two or more coils of insulated conductor (wire) wound on a laminated steel core. When a voltage is supplied to the PRIMARY (input) coil, it magnetizes the steel core, which in turn induces a voltage on the SECONDARY (output) coil. The voltage induced from the primary to the secondary coils is directly proportional to the turns ratio between the two coils. (FIG 1)

For example, if a transformer's input, or primary leg has twice as many turns of wire as the secondary, then the ratio would be 2:1. Therefore, if you applied 480 volts to the primary, 240 volts would be induced in the secondary. This is an example of a two winding "step-down" transformer. (FIG 2) If the application requires the voltage to be increased (stepped-up), then the input side may be for example 240 volts and the output 480 volts. (FIG 3)

HPS does NOT recommend the back-feeding of HPS transformers. Reverse feeding HPS transformers may result in technical issues and safety aspects that could be easily avoided by using a transformer specifically designed for the required step-up application. Back-feeding may also void the HPS product warranty. Transformers rated 2 kVA and below have compensated windings and should not be used in reverse feed applications.



TYPES OF TRANSFORMERS

Dry-type transformers are manufactured in a variety of ways to meet the requirements of different applications. The following is a list of transformer types found in this catalog with a brief explanation.

Industrial Control and General Purpose Enclosed Transformers - (see Section 1)

A control transformer is an isolation transformer designed to provide a high degree of secondary voltage stability (regulation) during a brief period of overload condition (also referred to as "Inrush Current"). Control transformers are usually rated for 600 volts or less.

Buck-Boost Transformers - (see Section 2)

Buck-Boost transformers are control transformers with low voltage secondary windings. By field connecting the primary and secondary windings in an autotransformer configuration, they offer an economical solution to the adjustment of line voltages that are slightly above or below normal.

Buck-Boost transformers can be used to adjust **stable voltages only**. Fluctuating line voltages should be regulated with a Voltage Conditioner.

Reactors - (see Section 3)

Air Core:

They are used primarily as current or voltage limiting devices, particularly where large currents can enter a system that uses small amounts of power. An example is the telephone system which uses very small voltages where the current in a fault condition needs to be kept to a minimum.

Iron Core:

An iron core reactor provides the same current or voltage control on a system as its air core counterpart. Iron core units tend to be used on smaller applications where the variables need greater or more sensitive control.

Drive Isolation Transformers - (see Section 4)

Drive isolation transformers are designed to supply power to AC and DC variable speed drives. The harmonics created by SCR type drives requires careful designing to match the rated hp of each drive system. The duty cycle included is approximately one start every 2 hours. The windings are designed for an overcurrent of 150% for 60 seconds, or 200% for 30 seconds.

Motor Starting Autotransformers - (see Section 5)

Motors have a large inrush current component that requires a special design. Motor starting autotransformers are designed to withstand an inrush of upwards of 25 times normal current. Typically, they are tapped on larger sizes to soft-start the motor until it is up to full RPM.

Low Voltage General Purpose Transformers - (see Section 6)

HPS low voltage general purpose transformers provide a safe, long lasting, highly reliable power source. They are designed for general lighting and other low voltage applications. They are UL listed and CSA certified.



Types of Transformers continued...

Energy Efficient Transformers - (see Section 7)

The energy efficiency requirements for distribution type transformers are continuously evolving, with the latest change occurring in the US, where the Department of Energy (DOE) mandates new higher energy efficiency levels for distribution transformers effective January 1st, 2016. HPS proudly supports this change offering its customers a complete line of DOE 2016 compliant transformers. More details about this product offer can be found in the HPS Sentinel® Energy Efficient Distribution Transformer Selection Guide (DOESEL15). In addition to the benefits to the environment, energy efficient transformers also will benefit users by providing substantial savings in operating costs thereby having a positive impact on the initial investment.

The energy efficient product offer described in this catalog continues to comply with the CSA C802.2 energy efficiency requirements. This product line also meets the DOE energy efficiency levels that were in effect from January 1, 2007 to December 31, 2015 known also as TP-1 energy efficiency levels.

Our NEMA Premium product offer is obsolete and is being replaced by the higher efficiency DOE 2016 product line that provides premium energy efficiency levels for Canadian users that would like to take advantage of its benefits described above.

CSA C802.2 Energy Efficient Transformers

Energy Efficient General Purpose Transformers

The HPS Sentinel® energy efficient general purpose transformers are designed for linear loads and are most frequently used for applications such as commercial buildings which will supply a variety of general loads.

Energy Efficient K-Factor Transformers

The HPS Synergy® energy efficient k-factor transformers are designed to tolerate heating due to harmonics associated with non-linear loads. Harmonics can indicate their presence in a number of ways: overheating, device malfunctions, telephone interference, equipment vibration and breakers tripping.

Energy Efficient Harmonic Mitigating Transformers

The HPS Centurion® energy efficient, harmonic mitigating transformer with zero sequence flux cancellation technology is specifically designed to treat the harmonics generated by computer equipment and other non-linear, power electronic loads. Combining zero sequence flux cancellation with phase shifting treats 3rd, 5th, 7th, 9th, 15th, 17th and 19th harmonics within its secondary windings. Typical applications of severe non-linear loading conditions include data centers, internet-service providers, telecom sites, call centers, broadcast centers, etc.

Encapsulated (Potted) Transformers - (see Section 8)

HPS offers two complete lines of encapsulated transformers to meet both a commercial and industrial environment. These units are encapsulated and completely enclosed.

Encapsulated Transformers for Commercial Use

The HPS Fortress™ is designed to provide the ideal solution for commercial applications. All units are encapsulated with electrical grade silica sand and resin compounds, which completely enclose the core and coil to seal out moisture, airborne contaminants and eliminates corrosion and deterioration.

Encapsulated Transformers for Harsh Environments and Hazardous Locations

The HPS Titan® design is especially suited for installations in harsh environments and hazardous locations which may contain dangerous gasses, liquids, dust, lint, moisture and where corrosive contaminants are present. Typical applications include: institutional, commercial, industrial, petrochemical, pulp and paper; food processing, mines, marine and shipboard installations. They are designed to meet both UL Standard 1604 entitled "Electrical Equipment for use in Class I and Class II, Division 2 and Class III Hazardous (Classified) Locations" and ABS Type Approval for "Marine Duty Service and Offshore Applications - Electrical Distribution and Propulsion".

Types of Transformers continued...

Mini Power Centers - (see Section 9)

HPS power centers are conveniently pre-wired to save you time, money, and space. They're designed ideally for industrial locations, temporary power at construction sites, commercial buildings, test equipment, plant assembly lines, etc.

Autotransformers - (see Section 10)

Autotransformers are similar to Buck-Boost transformers in that they are also an economical means of adjusting output voltage. Autotransformers are designed to adjust the supply voltage when isolation from the line is not necessary and where local electrical codes permit. Units are designed in either a step-up or step-down application and meet motor inrush currents.

Energy Efficient Medium Voltage Distribution Transformers - (see Section 11)

HPS has a new line of energy efficient distribution transformers to meet the new DOE 10 CFR p.431 that comes in effect on January 1, 2016 also known as DOE 2016. More details about this product offer can be found in the HPS Millennium™ Medium Voltage Transformer Selection Guide (MILGMED15).

The Canadian product offering described in the current catalogue continues to comply with the CSA C802.2 energy efficiency requirements. This product line also meets the DOE energy efficiency levels that were in effect from January 1, 2010 to December 31, 2015.

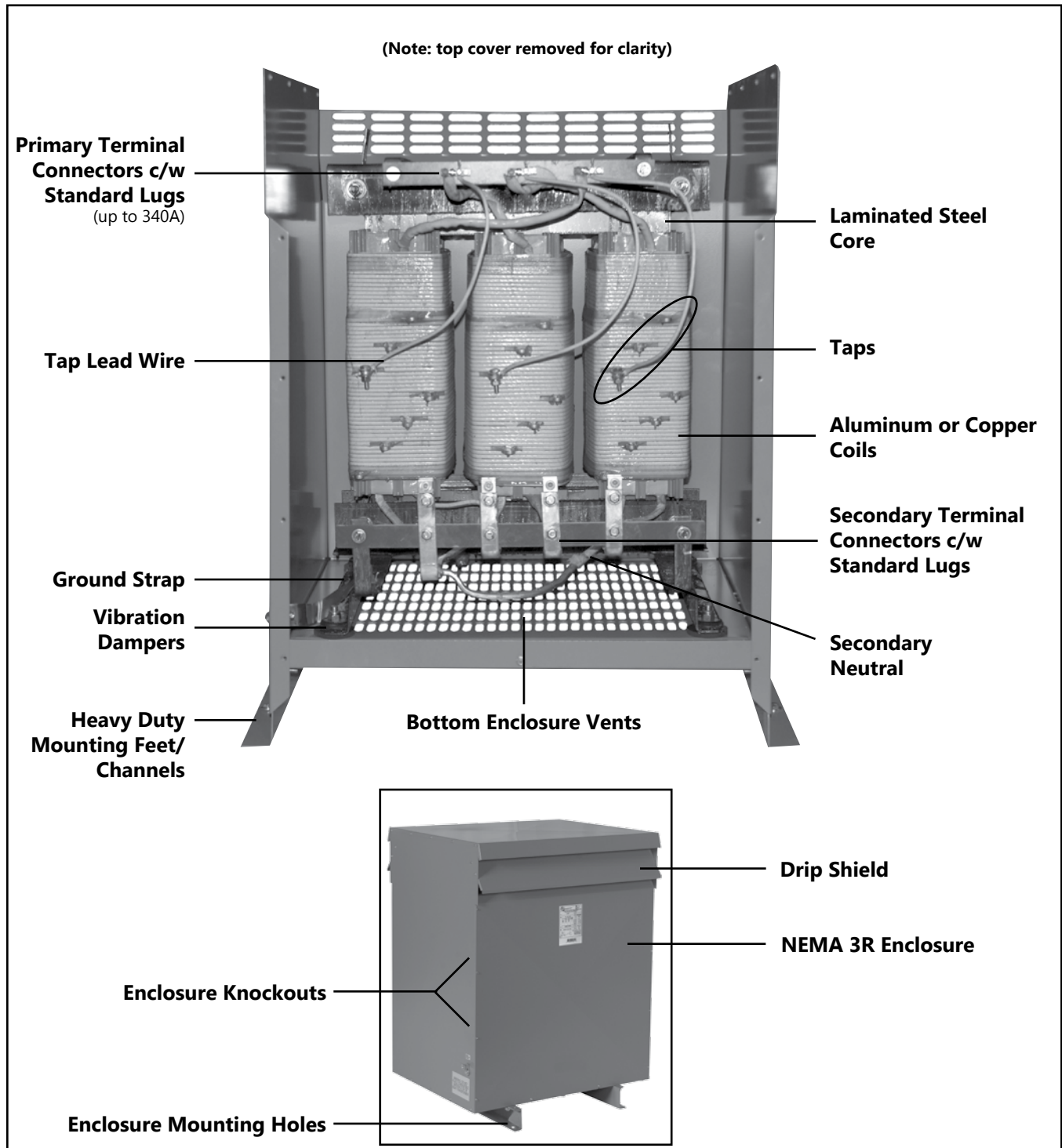
HPS Millennium™ transformers are really 5kV class dry-type energy efficient distribution transformers. They are designed primarily for use in stepping down medium voltage power (i.e. 4160V or 2400V primary) to a lower voltage for commercial, institutional or industrial applications.



CONSTRUCTION FEATURES

Standard transformers are designed and constructed to meet or exceed the requirements for general applications. These transformers are provided either ventilated or totally enclosed. To meet special applications or custom requirements, modifications are available as either factory installed options or field installed accessories.

Please note that construction details for our Control Transformers and Reactors are in sections 1 and 3 respectively.



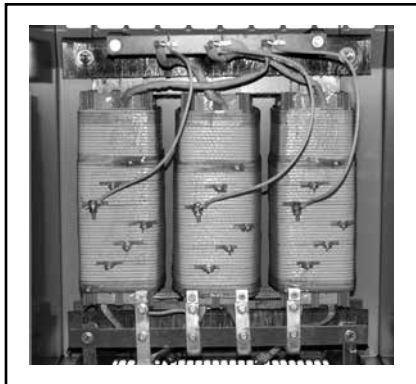
Note: For DOE 2016 construction features please see the HPS Sentinel® Energy Efficient Distribution Transformer Selection Guide (DOESEL15) or the HPS Millennium™ G Medium Voltage Transformer Selection Guide (MILGMED15)

CONSTRUCTION FEATURES continued . . .

Core Construction

HPS cores are manufactured from the highest quality non-aging, cold rolled, silicon steel laminations. Cores are precision cut to close tolerances to eliminate burrs and improve performance. Most feature fully interleaved stepped core construction for optimum energy efficiency.

Cores are carefully assembled and rigidly clamped and then either bolted or welded to minimize gaps and assure low losses and quiet operation.



Coil Construction

Coils are available in either aluminium or copper construction. Coils are precision wound with continuous copper or aluminum conductors and are electrically balanced to minimize axial short-circuit forces.

The use of duct stick permits the flow of air thus providing excellent cooling in addition to providing superior axial mechanical strength.



Terminations

HPS transformers are provided (where applicable) with both high and low terminal connectors suitable for both copper and aluminum cables. These connectors allow for easy field installation without the need to purchase connectors separately, saving the installer both time and money. For details on types and sizes of connectors provided, please refer to the features tables located within each product section.

Insulation System

The insulation rating is the maximum allowable winding (hot spot) temperature of a transformer operating at an ambient temperature of 40°C. Insulation systems are classified by the temperature rating. The following table summarizes the different insulation systems available.

Insulation Rating	Insulation Class	Average Winding Temperature Rise	Hot Spot Temperature Rise	Maximum Winding Temperature
Class 105	A	55°C	65°C	105°C
Class 150 or 130	B	80°C	110°C	150°C
Class 180	F	115°C	145°C	180°C
Class 200	N	130°C	160°C	200°C
Class 220	H	150°C	180°C	220°C

NOTE: The maximum acceptable temperature rise based on an average ambient of 30°C during any 24 hour period and a maximum ambient of 40°C at any time.

Note: For DOE 2016 construction features please see the HPS Sentinel® Energy Efficient Distribution Transformer Selection Guide (DOESEL15) or the HPS Millennium™ G Medium Voltage Transformer Selection Guide (MILGMED15)

INTRODUCTION

CONSTRUCTION FEATURES continued . . .

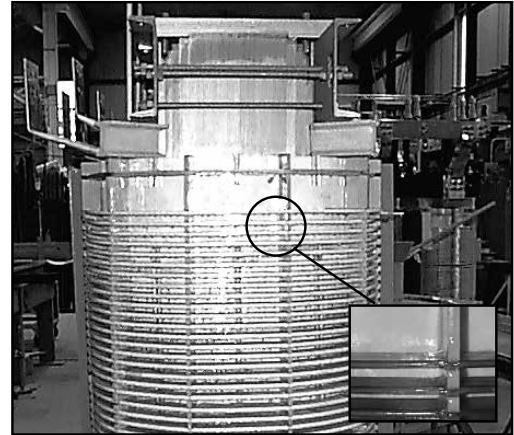
VACUUM PRESSURE IMPREGNATION (VPI)

The following briefly describes our process.

Polyester Resin Impregnation

For most applications, regardless of voltage class, HPS' polyester resin impregnation system is preferred. The polyester resin exhibits a much higher dielectric strength and bonding properties than any varnish previously used, or other encapsulations including oil modified epoxies. This polyester resin exhibits these characteristics:

- Low moisture absorption (Non-Hydroscopic)
- High dielectric strength
- High bond strength
- Excellent mechanical properties
- Stability at high temperatures
- Excellent thermal shock properties
- Longevity of life at maximum transformer temperatures
- UL approved for 220°C insulation systems for any voltage class
- Fungus-resistant reactive components makes it environmentally superior



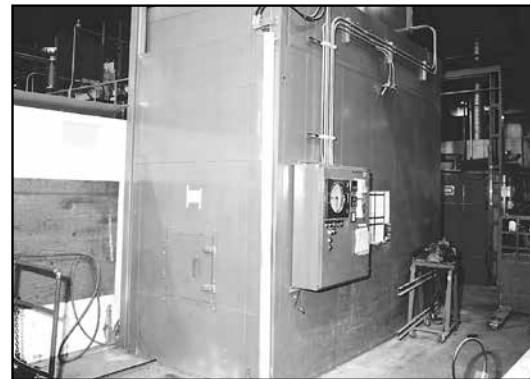
For long-term life expectancy, it is critical that transformers maintain the integrity of the dielectric properties of the insulation materials.

At HPS, transformer coils are impregnated with a complete vacuum-pressure impregnating cycle:

- Coils are placed in a sealed tank and a vacuum is drawn
- The resin is then introduced into the chamber and the assembly is completely immersed
- The tank is then pressurized to force the impregnation material to thoroughly penetrate the windings
- The coils or assembly are then removed from the chamber and oven cured
- These steps are then repeated

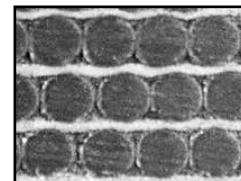


Vacuum Pressure Chamber



Baking Oven

The result is transformers whose coils exhibit virtually corona-free performance, a superior resistance to environmental conditions and a new standard of reliability even for the worst industrial, utility or commercial applications.



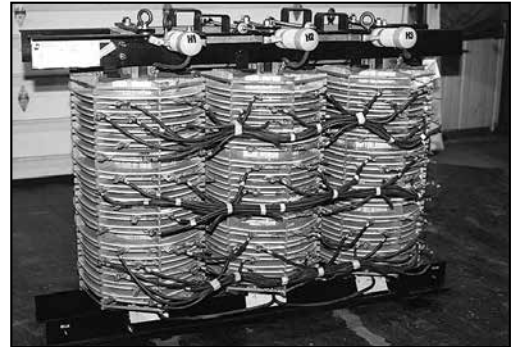
Note: For DOE 2016 construction features please see the HPS Sentinel® Energy Efficient Distribution Transformer Selection Guide (DOESEL15) or the HPS Millennium™ G Medium Voltage Transformer Selection Guide (MILGMED15)



TRANSFORMER BASICS

Banking of Transformers

Two or three single phase transformers can be connected to make a three phase bank. The primary windings of the single phase transformers can be connected in delta or wye. The secondary windings can also be connected in either a delta or wye configuration. The equivalent capacity of the bank will be equal to three times the nameplate rating of each single phase transformer. Usually this type of installation is more expensive than using a single three phase transformer.



Primary Voltage Taps

In some cases, the actual supply voltage to the primary of the transformer is either slightly higher or lower than the nameplate rating. Taps are provided on most transformers on the primary winding to correct this condition and maintain full rated output voltage and capacity. Standard taps are usually in 2 ½% or 5% increments. Example: The transformer has a 480V primary rating and the incoming voltage is at 504V. The primary connection should be made at the +5% tap in order to maintain the nominal secondary voltage.



Transformer Operation at 50 Hz

Transformers rated at 60Hz should not be used on a 50Hz supply due to higher losses and core saturation and the resultant higher temperature rise. Transformers rated for 50Hz, however, can be operated on a 60Hz supply.

Reverse Connection

HPS does NOT recommend the back-feeding of HPS transformers. Reverse feeding HPS transformers may result in technical issues and safety aspects that could be easily avoided by using a transformer specifically designed for the required step-up application. Back-feeding may also void the HPS product warranty.

HPS has the know-how and capability to assist its customers in satisfying the most demanding application needs in a time sensitive manner with the most suitable design.

INTRODUCTION

Transformer Basics continued . . .

Balance Loading on Single and Three Phase Transformers

A single phase transformer with 120/240V secondary has two separate 120V secondary windings and is usually connected into a 3 wire system. Care must be exercised in distributing the load on the two 120V windings evenly, so each winding is carrying about half of the total load.

Similarly for a three phase transformer, each phase should be considered as a single phase transformer. When distributing single phase loads between the three phases, each of the three windings should be evenly loaded.



Sound Level

Sound needs to be considered when transformers are located in close proximity to occupied areas. All energized transformers emanate sound due to the alternating flux in the core. This normal sound emitted by the transformer can be a source of annoyance unless it is kept below acceptable levels.

HPS transformers are built to meet the latest ANSI, CSA and UL standards. These standards use NEMA-ST20 (see below table for outline).

HPS also offers "Low Sound" options to most of its distribution style transformers. Please contact your HPS sales representative for details.

Equivalent Two Winding kVA	Self Cooled Ventilated Voltage Line to Line		Self Cooled Non-Ventilated dB-A
	1.2kV	>1.2kV	
	dB-A	dB-A	dB-A
0-9	40	45	45
10-50	45	50	50
51-150	50	55	55
151-300	55	58	57
301-500	60	60	59
501-700	62	62	61
701-1000	64	64	63

SELECTING TRANSFORMERS

SINGLE PHASE

A single phase transformer is designed to transform single phase or three phase input (source) voltage to the single phase output (load) voltage required by your equipment. To select the correct single phase transformer you must first determine:

1. The equipment being installed operates on a **single phase** supply (see your equipment nameplate or installation manual).
2. The **Primary Voltage** of the transformer. This is the same as the line input (or source) voltage, typically 480 or 600 volts AC.
3. The **Secondary Voltage** of the transformer. The equipment being installed will have a specified supply voltage (see equipment nameplate or installation manual). The transformer you select must have a secondary voltage equal to the required supply voltage of the equipment, typically 120/240 VAC.
4. The **Frequency** in Hertz (cycles-per-second) of the input (source) voltage must be the same as the operating frequency of the equipment being supplied. The transformer selected must operate at the same frequency. Typical operating frequency is 60 Hz.
5. The **Total VA** of the load is determined by the product of the voltage supplied across the load and the current passing through it. This is normally expressed in VA (Volt-Amperes) or kVA (kilo Volt-Amperes) on the equipment nameplate. The total load is often a combination of various loads (i.e. lights, heaters, motors). You must calculate these individual loads and add them together to obtain the total load of the transformer. The transformer you select must have a kVA rating equal to or greater than the load on the transformer.

How to use the full load chart to find kVA:

1. Determine the secondary voltage of your transformer.
2. Sum up the total amperes required by the load.
3. From the full load current table below, select a transformer under the corresponding secondary voltage, with a standard kVA capacity and amperage equal to or higher than the sum required by the load.

Calculating kVA: To calculate kVA when volts and amperes are known:

$$\text{kVA} = \frac{\text{Volts X Amps (load)}}{1000}$$

**Full Load Current Table
Single Phase Transformer**

kVA	Current in Amperes					
	120V	240V	480V	600V	2400V	4160V
0.5	4.17	2.08	1.04	0.83		
0.75	6.25	3.13	1.56	1.25		
1	8.33	4.17	2.08	1.67		
1.5	12.5	6.25	3.13	2.5		
3	25	12.5	6.25	5	1.25	0.72
5	41.7	20.8	10.4	8.33	2.08	1.2
7.5	62.5	31.3	15.6	12.5	3.13	1.8
10	83.3	41.7	20.8	16.7	4.17	2.4
15	125	62.5	31.3	25	6.25	3.61
25	208	104	52.1	41.7	10.4	6.01
37.5	313	156	78.1	62.5	15.6	9.01
50	417	208	104	83.3	20.8	12
75	625	313	156	125	31.3	18
100	833	417	208	167	41.7	24
150	1250	625	313	250	62.5	36
167	1392	696	348	278	69.6	40.1
250	2083	1042	521	417	104	60.1
333	2775	1388	694	555	139	80

**Single Phase AC Motor Full Load
Running Currents in Amperes and
Recommended Transformer Ratings**

Horsepower	Full Load Current (Amps)			Minimum Transformer kVA
	110-120V	208V	220-240V*	
0.50 HP	9.8	5.4	4.9	1.5
0.75 HP	13.8	7.6	6.9	2.0
1.0 HP	16.0	8.8	8.0	3.0
1.5 HP	20.0	11.0	10.0	3.0
2.0 HP	24.0	13.2	12.0	5.0
3.0 HP	34.0	18.7	17.0	5.0
5.0 HP	56.0	30.8	28.0	7.5
7.5 HP	80.0	44.0	40.0	15.0
10 HP	100	55.0	50.0	15.0
15 HP	135	74.8	68.0	25.0
20 HP	-	-	88.0	25.0
25 HP	-	-	110	37.5
30 HP	-	-	136	37.5
40 HP	-	-	176	50.0
50 HP	-	-	216	75.0

kVA ratings include 10% overcapacity for frequent motor starts.
* For 200 volt motors increase 220-240V ratings by 15%.



INTRODUCTION

Selecting Transformers continued . . .

THREE PHASE

A three phase transformer is designed to transform a three phase input (source) voltage to the single phase and three phase output (load) voltages required by your equipment.

In order to select the correct three phase transformer you must first determine:

1. The equipment being installed operates on a **three phase** supply. Note: If both single phase and three phase equipment makes up the load, the single phase equipment is connected to only one phase of the transformer.
2. The **Primary Voltage** of the transformer. This is the same as the line input (or source) voltage, typically 480 or 600 volts AC.
3. The **Secondary Voltage** of the transformer. This is the transformer's output voltage and must be the same as the voltage required by the equipment being installed (see equipment nameplate, typically 208Y/120 volts).
4. The **Frequency** in hertz (cycles per second) of the input (source) voltage must be the same as the operating frequency of the equipment being supplied. The transformer selected must operate at the same frequency. Typical operating frequency is 60 Hz.
5. The **Total VA** of the load is determined by the product of the voltage supplied across the load and the current passing through it. This is normally expressed in VA (Volt-Amperes) or kVA (kilo Volt-Amperes) on the equipment nameplate.

The total load is often a combination of various loads (i.e. lights, heaters, motors). You must calculate these individual loads and add them together to obtain the total load of the transformer.

The transformer you select must have a kVA rating equal to or greater than the load requirement.

Note: The three phase transformer must be selected so that any one phase is not overloaded. If you are connecting a single phase load to one phase of the three phase transformer, you must calculate the load as if it were loading all three phases.

Calculating kVA

To calculate kVA when volts and amperes are known:

$$kVA = \sqrt{3} \times \frac{V_{LL} \times I_L}{1000}$$

V_{LL} = Volts line - line

I_L = Line Current

Full Load Current Table - Three Phase Transformer

kVA	Current in Amperes					
	208V	240V	480V	600V	2400V	4160V
3	8.33	7.22	3.61	2.89	0.72	0.42
6	16.7	14.4	7.22	5.77	1.44	0.83
9	25	21.7	10.8	8.66	2.17	1.25
15	41.6	36.1	18	14.4	3.61	2.08
30	83.3	72.2	36.1	28.9	7.22	4.16
45	125	108	54.1	43.3	10.8	6.25
75	208	180	90.2	72.2	18	10.4
100	278	241	120	96.2	24.1	13.9
112.5	312	271	135	108	27.1	15.6
150	416	361	180	144	36.1	20.8
225	625	541	271	217	54.1	31.2
300	833	722	361	289	72.2	41.6
450	1249	1082	541	433	108	62.4
500	1388	1203	601	481	120	69.4
600	1665	1443	722	577	144	83.3
750	2082	1804	902	722	180	104
1000	2776	2406	1203	962	241	139
1500	4164	3609	1804	1443	361	208
2000	5552	4811	2406	1925	481	278
2500	6940	6014	3007	2406	601	347
3000	8327	7217	3608	2887	722	416

Three Phase AC Motor Full Load Running Currents in Amperes and Recommended Transformer Ratings

Horsepower	Full Load Current (Amps) Minimum					Transformer kVA
	110-120V	208V	220-240V*	440-480V	550-600V	
0.50 HP	4.0	2.2	2.0	1.0	0.8	3
0.75 HP	5.6	3.1	2.8	1.4	1.1	3
1.0 HP	7.2	4.0	3.6	1.8	1.4	3
1.5 HP	10.4	5.7	5.2	2.6	2.1	3
2.0 HP	13.6	7.5	6.8	3.4	2.7	6
3.0 HP	19.2	10.7	9.6	4.8	3.9	6
5.0 HP	30.4	16.7	15.2	7.6	6.1	9
7.5 HP	44.0	24.0	22.0	11.0	9.0	15
10 HP	56.0	31.0	28.0	14.0	11.0	15
15 HP	84.0	46.0	42.0	21.0	17.0	30
20 HP	108	59.0	54.0	27.0	22.0	30
25 HP	136	75.0	68.0	34.0	27.0	45
30 HP	160	88.0	80.0	40.0	32.0	45
40 HP	208	114	104	52.0	41.0	75
50 HP	260	143	130	65.0	52.0	75
60 HP	-	170	154	77.0	62.0	75
75 HP	-	211	192	96.0	77.0	112.5
100 HP	-	273	248	124	99.0	150

kVA ratings include 10% overcapacity for frequent motor starts.
* For 200 volt motors increase 220-240V ratings by 15%.



COMPLIANCE WITH ENGINEERING STANDARDS

HPS Dry-Type Transformers are approved, listed, recognized or comply with the following Regulatory Standards. The reference files are:

UL1561 and UL1562	CSA C9-M and CSA C22.2-M	
ANSI C57.12.51	NEMA TR-1 and ST-1	IEC 76

HPS dry-type transformers can be built to comply with the following engineering standards:

- **UL 1561** : Dry-Type General Purpose and Power Transformers
- **UL 1562** : Transformers, Distribution, Dry-Type over 600 volts
- **IEEE-C57.12.01** : General Requirements for Dry-Type Distribution and Power Transformers
- **NEMA ST-20** : Dry-Type Transformers for General Applications
- **ANSI-C57.12.51** : Requirements for Ventilated Dry-Type
- **ANSI-C57.12.70** : Terminal Markings & Connections for Distribution & Power Transformers
- **ANSI-C57.12.91** : Test Code for Dry-Type Distribution and Power Transformers
- **ANSI-C57.12.90** : Guide for Short Circuit Testing of Distribution and Power Transformers
- **NEMA 250** : Enclosures for Electrical Equipment
- **CSA-C22.2 No. 47** : Air-Cooled (Dry-Type) Transformers
- **CSA-C9-M** : Dry-Type Transformers
- **CSA C802.2 and DOE 10 CFR Part 431**: Energy Efficiency Standards

TRANSFORMER TEST STANDARDS

All transformers are tested at the manufacturing facility prior to shipment. Transformers must meet very specific criteria to be certified acceptable for release. Tests are categorized as 'Production Tests' and 'Type Tests'. Production Tests are typically applied to every transformer, where Type Tests are required either to qualify a new product or to further certify a production product. Type tests are optional and are available at an additional cost.

Production Tests

D.C. Resistance Measurement

Current from a D.C. resistance bridge is applied to the transformers windings to determine the D.C. resistance of the coils. This test is important for the calculation of I^2R for use in the winding temperature test and as base data for future assessment in the field.

(Note: This is a standard test. Data retained on units over 500kVA only).

Polarity and Phase-Relation Test

Polarity and phase-relation tests are made to determine angular displacement and relative phase sequence to facilitate connections in a transformer. Determining polarity is also essential when paralleling or banking two or more transformers.

(Note: This is a standard test. Data retained on units over 500kVA only).



Transformer Test Standards continued ...

No-Load and Excitation Current Test

No-load losses (excitation losses) are the core losses of a transformer that are “excited” at rated voltage and frequency, but which do not supply load. No-load losses include core loss, dielectric loss and losses in the windings due to exciting current.

The transformer is excited at rated voltage with all other windings open circuited. The exciting current and no load loss is then measured.

(Note: This is a standard test to determine that energy efficiency requirements are met. Data retained on units over 500kVA only).

Voltage Ratio (turns ratio)

To confirm the voltage ratio of a transformer, the ratio of the number of turns in the high-voltage winding with respect to the number of turns in the low-voltage winding is measured.

(Note: This is a standard test. Data retained on units over 500kVA only).

Applied Potential Test

A normal power frequency, such as 60 Hz, is applied to each winding for one minute with all other windings and core grounded. These tests are in accordance with UL 1561.

Induced Voltage Test

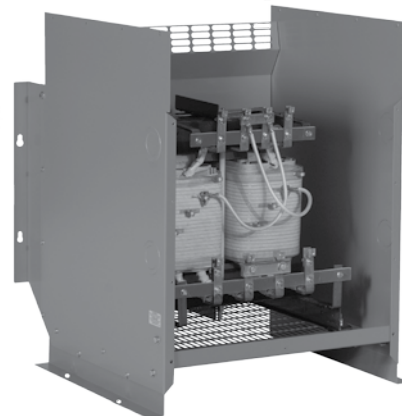
The induced voltage test is applied for 7200 cycles. The voltage applied is twice the operating voltage and confirms the integrity of the insulation.

Impedance Voltage and Load Loss Test

The voltage required to circulate the rated current under short-circuit conditions when connected on the rated voltage tap is the impedance voltage.

Rated current is circulated through the windings with the secondary short circuited. The impedance voltage and load loss is then measured. They are corrected to rise +20°C reference temperature.

(Note: This is a standard test only on units over 500kVA. It will only be carried out on lower kVA units when specifically requested. Extra charges apply below 500kVA)



Type Tests

Type tests are required either to qualify a new product or to further certify a standard product line. The following is a list of type tests performed on HPS Transformers.

(Note: Available at an additional charge)

- **Temperature Rise Test**
- **Sound Level Test**
- **Partial Discharge (corona)**
- **Basic Impulse Insulation Level (BIL)**
- **Short-Circuit Test**
- **Insulation Resistance Test**

QUALITY MANAGEMENT SYSTEMS

ISO 9001:2008

Hammond Power Solutions facilities, located in Guelph Ontario Canada, Walkerton Ontario Canada, Baraboo Wisconsin USA, Compton California USA and Monterrey Mexico, (which manufacture the transformers featured in this catalog), have implemented Quality Management Systems based on ISO 9001. ISO 9001 includes all processes affecting quality, customer satisfaction and continual improvement. Our customers can be assured of the integrity and quality in all Hammond Power Solutions transformer products.



HPS STANDARD ENCLOSURES

An enclosure is a surrounding case constructed to provide a degree of protection to personnel against access to hazardous parts and to provide a degree of protection to the enclosed equipment against specified environmental conditions.

Applicable Engineering Standards

HPS Enclosures are designed in accordance with the following standards:

- CSA 22.2 No. 47 (General Purpose)
- CSA 22.2 No. 94 (Specialty Enclosures)
- NEMA 250
- UL 50 and UL 50E

Please ensure to reference all local and national electrical codes and applicable transformer standards before selecting an enclosure for your application.

Definitions

Degree of protection:	The extent of protection provided by an enclosure against access to hazardous parts, against ingress of foreign solid objects and/or against ingress of water and verified by approved standardized test methods.
Hazardous parts:	A part that is hazardous to approach or to touch.
Indoor Locations:	Areas which are protected from exposure to the weather.
Non-ventilated:	Constructed so as to provide no intentional circulation of external air through the enclosure.
Outdoor locations:	Locations that are exposed to the weather.
Ventilated:	Constructed so as to provide for the circulation of external air through the enclosure to remove excess heat, fumes or vapors.

Enclosure Selection

The selection of the appropriate enclosure is vital for the long term reliability of your HPS product. The “degree of protection” an enclosure actually provides can only be determined by referencing the appropriate test methods outlined in the above mentioned standards.

The list below is just some of the typical enclosure types available for HPS products, their applications, and the environmental conditions they are designed to meet.

HPS Typical Enclosures Types

The following lists some of the standard HPS enclosures available and a brief description of their applications:

TYPE 1

This is a general purpose ventilated enclosure constructed for indoor use only to provide a degree of protection to personnel against access to hazardous parts; to provide a degree of protection of the equipment inside the enclosure against ingress of solid foreign objects (falling dirt).

TYPE 2

This is a general purpose ventilated enclosure constructed for indoor use only to provide a degree of protection to personnel against access to hazardous parts; to provide a degree of protection of the equipment inside the enclosure against the ingress of solid foreign objects (falling dirt); and to provide a degree of protection with respect to harmful effects on the equipment due to the ingress of water (dripping or light splashing).

TYPE 3RI

This is a general purpose ventilated enclosure constructed for indoor use only to provide a degree of protection to personnel against access to hazardous parts; to provide a degree of protection of the equipment inside the enclosure against the ingress of solid foreign objects (falling dirt); and to provide a degree of protection with respect to harmful effects on the equipment due to the ingress of water (sprinkler head spray, light splashing of liquids).

TYPE 3R

This is a general purpose ventilated enclosure constructed for either indoor or outdoor use to provide a degree of protection to personnel against access to hazardous parts; to provide a degree of protection of the equipment inside the enclosure against the ingress of solid foreign objects (falling dirt); and to provide a degree of protection with respect to harmful effects on the equipment due to the ingress of water (rain, sleet, snow); and that will be undamaged by the external formation of ice on the enclosure.

INTRODUCTION

HPS Standard Enclosures continued ...

TYPE 3RE

This is a general purpose ventilated enclosure constructed for either indoor or outdoor use to provide a degree of protection to personnel against access to hazardous parts; to provide a degree of protection of the equipment inside the enclosure against the ingress of solid foreign objects (falling dirt and circulating dust); and to provide a degree of protection with respect to harmful effects on the equipment due to the ingress of water (rain, sleet, circulating snow); and that will be undamaged by the external formation of ice on the enclosure.

TYPE 4

This is a general purpose non-ventilated enclosure constructed for either indoor or outdoor use to provide a degree of protection to personnel against access to hazardous parts; to provide a degree of protection of the equipment inside the enclosure against the ingress of solid foreign objects (falling dirt and windblown dust); and to provide a degree of protection with respect to harmful effects on the equipment due to the ingress of water (rain, sleet, snow, splashing water, and hose directed water); and that will be undamaged by the external formation of ice on the enclosure. (Note: not submersible)

TYPE 4X

This is a general purpose non-ventilated enclosure constructed for either indoor or outdoor use to provide a degree of protection to personnel against access to hazardous parts; to provide a degree of protection of the equipment inside the enclosure against the ingress of solid foreign objects (windblown dust); and to provide a degree of protection with respect to harmful effects on the equipment due to the ingress of water (rain, sleet, snow, splashing water, and hose directed water); that provides an additional level of protection against corrosion; and that will be undamaged by the external formation of ice on the enclosure. (Note: not submersible)

TYPE 12

This is a general purpose non-ventilated enclosure constructed (without knockouts) for indoor use only to provide a degree of protection to personnel against access to hazardous parts; to provide a degree of protection of the equipment inside the enclosure against the ingress of solid foreign objects (falling dirt and circulating dust, lint, fibers, and filings); and to provide a degree of protection with respect to harmful effects on the equipment due to the ingress of water (dripping and light splashing). (Note: not submersible)

Comparison of Enclosures for Indoor and Outdoor Non-Hazardous Locations

CSA C22.2 No. 94.2 Enclosure Type		Indoor						Indoor/Outdoor						Submersible			
		1 ^a	2 ^a	5	12	12K	13	3	-	3R ^a	-	3S	-	4	4X	6	6P
NEMA 250 Enclosure Type		1 ^a	2 ^a	5	12	12K	13	3	3X	3R ^a	3RX ^a	3S	3SX	4	4X	6	6P
Equivalent IEC 60529 IP designation ^e		IP20	IP22	IP53	IP54	IP54	IP55	IP55	IP24	IP24	IP55	IP55	IP66	IP66	IP67	IP68	
Provides a degree of protection against these environmental conditions	Accidental contact with live parts	x	x	x	x	x	x	x	x	x	x	x	x	x	x	x	x
	Falling dirt	x	x	x	x	x	x	x	x	x	x	x	x	x	x	x	x
	Dripping and light splashing of non-corrosive liquids		x	x	x	x	x	x	x	x	x	x	x	x	x	x	x
	Circulating dust, lint, fibers and flyings				x	x	x	x	x			x	x	x	x	x	x
	Settling ^d dust, lint, fibers and flying ^d			x	x	x	x	x	x			x	x	x	x	x	x
	Wind-blown dust							x	x			x	x	x	x	x	x
	Rain, snow, and external formation of ice or sleet ^b							x	x	x	x	x	x	x	x	x	x
	External Formation of ice or sleet ^c											x	x				
	Hose down and splashing water													x	x	x	x
	Corrosion									x		x		x			x
	Occasional temporary submersion															x	x
	Occasional prolonged submersion																x
	Oil and coolant seepage				x	x	x										
Oil and coolant seepage, spraying and splashing						x											

Notes:

- a - These enclosures may be ventilated
- b - External operating mechanism(s) is not required to operate when the enclosure is ice covered
- c - External operating mechanism(s) shall be operable when the enclosure is ice covered
- d - These fibers are flyings are non-hazardous and are not considered Class III type ignitable fibers or combustible flyings
- e - Since IEC 60529 does not specify degrees of protection for many conditions considered within CSA C22.2 No. 94.2, the IEC classifications cannot be exactly equated to North American Type numbers. The North American Type numbers meet or exceed the test requirements for the associated IP classifications. This table cannot be used to convert from IEC classifications to North American Type designations

References: CSA C22.2 No. 94.2, CSA C22.1 (CEC), NEMA 250, NEMA document - NEMA Enclosure Types

Disclaimer: This table is for quick comparison only. Please refer to appropriate standard for enclosure selection to meet your needs.



INTRODUCTION

HAMMOND POWER SOLUTIONS INC. EXCLUSIVE LIMITED WARRANTY

Exclusive Warranty

Hammond Power Solutions Inc. ("HPS"), warrants to the original purchaser of the standard transformers listed in this catalog (the "Goods"), will be free from defects in materials and workmanship for a period commencing on the date of manufacture of the Goods and expiring at the end of the period specified below (the "Warranty Period"). THIS WARRANTY IS EXCLUSIVE AND IS IN LIEU OF ANY OTHER WARRANTY EXPRESS OR IMPLIED, INCLUDING BUT NOT LIMITED TO ANY IMPLIED WARRANTY OR MERCHANTABILITY OR FITNESS FOR A PARTICULAR PURPOSE.

Warranty Exclusions - Limitation of Damages and Claims Procedure

The above stated warranty does not cover: workmanship of installation; dissatisfaction or damage due to improper installation, vandalism, misuse, accident, excessive wear and tear, unauthorized repair, abnormal use, lack of maintenance, or other cause(s) not within HPS's control and HPS WILL NOT BE LIABLE, UNDER ANY CIRCUMSTANCES, FOR CONSEQUENTIAL OR INCIDENTAL DAMAGES, INCLUDING BUT NOT LIMITED TO LABOR COSTS OR LOST PROFITS RESULTING FROM THE USE OF OR INABILITY TO USE THE GOODS OR FROM THE GOODS BEING INCORPORATED IN OR BECOMING A COMPONENT OR ANY OTHER PRODUCT. Without limiting the generality of the foregoing, HPS will not be responsible for labor costs involved in the removal of Goods or the installation of replacement Goods.

HPS's liability and the Buyer's exclusive remedy hereunder will be limited to repair or replacement of those Goods found in HPS's reasonable judgment to be defective. HPS reserves the right to accept or reject any claim in whole or in part. HPS will not accept the return of any Goods without its prior written approval. Please consult HPS for instructions on the Return Authorization procedure.

Product Warranty Periods:

Industrial Control Transformers (Section 1)

HPS Emperor®	Lifetime Warranty
HPS Spartan®	15 Years
Other Control	10 Years
HPS Fusion™ General Purpose Enclosed Transformers (Section 1)	15 Years
HPS Universal™ Buck-Boost/Low Voltage Lighting Transformers (Sections 2 & 6)	10 Years
HPS Centurion® R Reactors (Section 3)	10 Years
DV/DT Filters (Section 3)	10 Years
HPS Tribune™ and Standard Drive Isolation Transformers (Section 4)	10 Years
Motor Starting Auto Transformers (Section 5)	1 Year
Energy Efficient Distribution Transformers (Section 7)	10 Years
Encapsulated Dry-Type Distribution Transformers (Section 8)	10 Years
HPS PowerPlus™ Mini Power Center (Section 9)	
Transformer only	15 Year
Mini Power Center	1 Year
Autotransformers (Section 10)	10 Years
HPS Millennium Medium Voltage Distribution Transformers (Section 11)	1 Year
All HPS six digit Special and Custom Transformers	1 Year





SECTION 1

INDUSTRIAL CONTROL AND GENERAL PURPOSE ENCLOSED TRANSFORMERS

HPS Imperator[®], HPS Spartan[®], HPS Fusion[™] and Q Series Transformers

Control Transformer Quick Selection Charts	28
What Is A Control Transformer?	29
Overcurrent Protection	30
<u>HPS Imperator Machine Tool Industrial Control Transformers</u>	
Features and Benefits	34
Selection Tables	36
Optional Accessories	43
Wiring Schematics	63
<u>HPS Spartan Industrial Open-Style Core & Coil Control Transformers</u>	
Features and Benefits	46
Selection Tables	47
Optional Accessories	52
Wiring Schematics	74
<u>HPS Fusion General Purpose Enclosed Transformers</u>	
Features and Benefits	54
Selection Tables	55
Optional Accessories	60
Wiring Schematics	74
<u>Q Series Enclosed Potted Control Transformers</u>	
Features and Benefits	61
Selection Table	62
Wiring Schematics	244

SECTION 1

TRANSFORMER QUICK SELECTION CHARTS

HPS Imperator®

Pri. Volts	Sec. Volts	Group	Part No.	Page
600, 575, 550	120 x 240, 115 x 230, 110 x 220	A	PH***AJ	36
600, 575, 550	12 x 24, 11.5 x 23, 11 x 22	B	PH***AR	36
240 x 480, 230 x 460, 220 x 440	120 x 240, 115 x 230, 110 x 220	C	PH***MQMJ	37
240 x 480, 230 x 460, 220 x 440	12 x 24, 11.5 x 23, 11 x 22	D	PH***QR	37
208 x 416, 200 x 400, 190 x 380	120 x 240, 115 x 230, 110 x 220	E	PH***SP	38
120 x 240, 115 x 230, 110 x 220	120 x 240, 115 x 230, 110 x 220	F	PH***PP	38
120 x 240, 115 x 230, 110 x 220	12 x 24, 11.5 x 23, 11 x 22	G	PH***PG	39
600/480/240, 575/460/230, 550/440/220	120/100, 115/95, 110/90	H	PH***MBMH	39
480/240, 460/230/208, 440/220/200	120/25, 115/24, 110/23	I	PH***MLI	40
415/400/380	110 x 220	J	PH***MEMX	40
380/277/208	120 x 240	K	PH***MGJ	41

HPS Spartan®

Pri. Volts	Sec. Volts	Group	Part No.	Page
600/480, 575/460, 550/440	120 x 240, 115 x 230, 110 x 220	A	SP***ACP	47
600, 575, 550	12 x 24, 11.5 x 23, 11 x 22	B	SP***AR	47
240 x 480, 230 x 460, 220 x 440	120 x 240, 115 x 230, 110 x 220	C	SP***MQMJ	48
240 x 480, 230 x 460, 220 x 440	12 x 24, 11.5 x 23, 11 x 22	D	SP***QR	48
347/380	120 x 240	E	SP***KHP	49
347/380	12 x 24	F	SP***KHR	49
277	120	G	SP***NJ	50
120 x 240, 115 x 230, 110 x 220	12 x 24, 11.5 x 23, 11 x 22	H	SP***PR	50
208 x 416, 200 x 400, 190 x 380	120 x 240, 115 x 230, 110 x 220	I	SP***SP	51
208 x 416, 200 x 400, 190 x 380	12 x 24, 11.5 x 23, 11 x 22	J	SP***SR	51

HPS Fusion™

Pri. Volts	Sec. Volts	Group	Part No.	Page
600/480, 575/460, 550/440	120 x 240, 115 x 230, 110 x 220	A	FS***ACP	55
600, 575, 550	12 x 24, 11.5 x 23, 11 x 22	B	FS***AR	55
240 x 480, 230 x 460, 220 x 440	120 x 240, 115 x 230, 110 x 220	C	FS***MQMJ	56
240 x 480, 230 x 460, 220 x 440	12 x 24, 11.5 x 23, 11 x 22	D	FS***QR	56
347/380	120 x 240	E	FS***KHP	57
347/380	12 x 24	F	FS***KHR	57
277	120	G	FS***NJ	58
120 x 240, 115 x 230, 110 x 220	12 x 24, 11.5 x 23, 11 x 22	H	FS***PR	58
208 x 416, 200 x 400, 190 x 380	120 x 240, 115 x 230, 110 x 220	I	FS***SP	59
208 x 416, 200 x 400, 190 x 380	12 x 24, 11.5 x 23, 11 x 22	J	FS***SR	59

Q Series

Pri. Volts	Sec. Volts	Part No.	Page
600	12/24	Q***PRC*	62



WHAT IS A CONTROL TRANSFORMER?

What is a Control Transformer?

A control transformer is an isolation transformer designed to provide a high degree of secondary voltage stability (regulation during a brief period of overload condition (also referred to as “inrush current”). Control transformers are also known as Machine Tool Transformers, Industrial Control Transformers or Control Power Transformers.

When you calculate the VA requirement of a Transformer, do you use the Primary or the Secondary Voltage?

When selecting the VA requirement, you use the Secondary Voltage.

Can you use a Control Transformer connected in reverse?

HPS strongly discourages back-feeding Industrial Control transformers. Due to the use of compensated windings in these products the resulting voltage will vary from the rating with as much as 10%.

Can a Control Transformer regulate the output voltage?

A control transformer will not regulate the voltage. Output voltage is a function of the coil’s turn ratio only, times the input voltage.

What is the benefit of “Vacuum Impregnation” on a Transformer?

All HPS Control Transformers are vacuum impregnated with “VT Polyester Resin” and oven cured which seals the surface and eliminates moisture. Impregnating the entire unit provides a strong mechanical bond and offers protection from environmental conditions.

Explain the “VA” or “Volt Ampere Output” Rating?

The VA or volt ampere output rating designates the output which a transformer can deliver for a specified time at its rated secondary voltage and rated frequency, without exceeding its specified temperature rise.

Insulating Materials; what are they made of and what is their purpose?

Hammond Power Solutions utilizes Mylar, Nomex and other high quality insulating materials. Insulation is used to electrically insulate turn-to-turn windings, layer-to-layer windings, primary to secondary windings and ground.

What is the effect of “Overload”?

When a transformer is continually overloaded, excessive heat develops and the insulation system will begin to breakdown. As a result, the life expectancy of the transformer is shortened due to the heat exceeding the rating of the insulation system.

Recommendations For Overcurrent Protection

SECTION 1

UL AND CSA (NORTH AMERICAN) STANDARDS

North American standards, including UL 508, National Electric Code 450 and the Canadian Electrical Code Part I, require overcurrent protection on all control circuit transformers. There are two options for overcurrent protection:

Option 1

Provide an overcurrent device in the primary circuit rated to the current of the transformer. The overcurrent limits are as follows:

Primary 9 amps or more:	no more than 125% of rated current.
Primary 2 to 9 amps:	no more than 167% of rated current.
Primary less than 2 amps:	no more than 300% of rated current for power circuits. no more than 500% of rated current for control circuits.

This method is considered less desirable as start-up inrush to the transformer can frequently surpass the current rating of the device and result in nuisance interruptions.

Option 2

The second option is to install overcurrent devices in both the primary and secondary circuits of the transformer. In this option, the secondary device must be rated no more than 125% of rated current of the transformer and the primary no more than 250%. CEC permits 300% overcurrent on the primary for this option.

In both options listed, it is recommended that **time delay** fuses be considered to avoid unnecessary interruptions.

Secondary

The overcurrent protection listed below, in amperes, is 125% of the rated current of the transformer. Choose the next higher fuse rating if these numbers do not correspond with standard fuse selections.

Sec. Voltage	VA Rating															
	25	50	75	100	150	200	250	300	350	500	750	1000	1500	2000	3000	5000
12	2.7	5.3	7.9	11	16	21	27	-	-	-	-	-	-	-	-	-
24	1.4	2.7	4.0	5.3	7.9	11	14	16	19	27	-	-	-	-	-	-
90	0.4	0.7	1.1	1.4	2.1	2.8	3.5	4.2	4.9	7.0	11	14	21	28	-	-
95	0.4	0.7	1.0	1.4	2.0	2.7	3.3	4.0	4.7	6.6	9.9	14	20	27	-	-
100	0.4	0.7	1.0	1.3	1.9	2.5	3.2	3.8	4.4	6.3	9.4	13	19	25	-	-
110	0.3	0.6	0.9	1.2	1.8	2.3	2.9	3.5	4.0	5.7	8.6	12	18	23	-	-
115	0.3	0.6	0.9	1.1	1.7	2.2	2.8	3.3	3.9	5.5	8.2	11	17	22	-	-
120	0.3	0.6	0.8	1.1	1.6	2.1	2.7	3.2	3.7	5.3	7.9	11	16	21	-	-
220	0.15	0.3	0.5	0.6	0.9	1.2	1.5	1.8	2.0	2.9	4.3	5.7	8.6	12	18	29
230	0.14	0.3	0.5	0.6	0.9	1.1	1.4	1.7	2.0	2.8	4.1	5.5	8.2	11	17	28
240	0.14	0.3	0.4	0.6	0.8	1.1	1.4	1.6	1.9	2.7	4.0	5.3	7.9	11	16	27

Recommendations for Overcurrent Protection

Primary (UL and CSA)

To assist in the selection of fuses, the following chart recommends the maximum primary fuse rating in amperes. The first number shown is the maximum overcurrent protection when the primary current is less than 2 amps and the overcurrent protection device is rated for 300%. The second number shown (*italic*) is recommended when the primary is less than 2 amps and the overcurrent device is to be rated at 500% of rated current. Where only one number is indicated, the primary is 2 amps or more and one rating of over current protection is shown as optimal. Choose the next higher fuse rating if these numbers do not correspond with standard fuse selections.

Pri.	VA Rating																
	25	50	75	100	150	200	250	300	350	500	750	1000	1500	2000	3000	5000	7500
115	0.6	1.25	1.8	2.5	3.5	5	4	5	5	8	10	15	20	25	-	-	-
	<i>1</i>	<i>2</i>	<i>3.2</i>	<i>4</i>	<i>6.25</i>	<i>8</i>											
120	0.6	1.25	1.8	2.25	3.5	5	4	5	5	8	10	15	15	20	-	-	-
	<i>1</i>	<i>2</i>	<i>3</i>	<i>4</i>	<i>6.25</i>	<i>8</i>											
200	0.3	0.75	1.125	1.5	2.25	3	3.5	4.5	5	4.5	7	9	15	15	20	-	-
	<i>0.6</i>	<i>1.25</i>	<i>1.8</i>	<i>2.5</i>	<i>3.5</i>	<i>5</i>	<i>6.25</i>	<i>7.5</i>	<i>8</i>								
208	0.3	0.6	1	1.4	2	2.8	3.5	4	5	4	6	8	12	15	20	30	-
	<i>0.6</i>	<i>1.125</i>	<i>1.8</i>	<i>2.25</i>	<i>3.5</i>	<i>4.5</i>	<i>6</i>	<i>7</i>	<i>8</i>								
220	0.3	0.6	1	1.25	2	2.5	3.2	4	4.5	4	6	8	12	15	20	30	-
	<i>0.5</i>	<i>1.125</i>	<i>1.6</i>	<i>2.25</i>	<i>3.2</i>	<i>4.5</i>	<i>5.6</i>	<i>6.25</i>	<i>7.5</i>								
230	0.3	0.6	0.8	1.25	1.8	2.5	3.2	3.5	4.5	4	6	8	10	15	20	30	-
	<i>0.5</i>	<i>1</i>	<i>1.6</i>	<i>2</i>	<i>3.2</i>	<i>4</i>	<i>5</i>	<i>6.25</i>	<i>7.5</i>								
240	0.3	0.6	0.8	1.25	1.8	2.25	3	3.5	4	3.5	5	7	10	15	15	30	-
	<i>0.5</i>	<i>1</i>	<i>1.5</i>	<i>2</i>	<i>3</i>	<i>4</i>	<i>5</i>	<i>6.25</i>	<i>7</i>								
277	0.25	0.5	0.8	1	1.6	2	2.5	3.2	3.5	5	5	6	9	12	15	25	-
	<i>0.4</i>	<i>0.8</i>	<i>1.25</i>	<i>1.8</i>	<i>1.5</i>	<i>3.5</i>	<i>4.5</i>	<i>5</i>	<i>6.25</i>	<i>9</i>							
347	0.25	0.5	0.8	1	1.6	2	2.5	3.2	3.5	5	6.25	5	7.5	10	15	20	30
	<i>0.4</i>	<i>0.8</i>	<i>1.25</i>	<i>1.8</i>	<i>2.5</i>	<i>3.5</i>	<i>4.5</i>	<i>5</i>	<i>6.25</i>	<i>9</i>							
380	0.1875	0.3	0.5	0.75	1.125	1.5	1.8	2.25	2.5	3.5	5.6	4.5	6.25	9	15	20	25
	<i>0.3</i>	<i>0.6</i>	<i>0.8</i>	<i>1.25</i>	<i>1.8</i>	<i>2.5</i>	<i>3.2</i>	<i>3.5</i>	<i>4.5</i>	<i>6.25</i>	<i>9</i>						
400	0.1875	0.3	0.5	0.75	1.125	1.5	1.8	2.25	2.5	3.5	5.6	4.5	6.25	9	12	15	20
	<i>0.3</i>	<i>0.6</i>	<i>0.8</i>	<i>1.25</i>	<i>1.8</i>	<i>2.5</i>	<i>3</i>	<i>3.5</i>	<i>4</i>	<i>6.25</i>	<i>9</i>						
416	0.15	0.3	0.5	0.6	1	1.4	1.8	2	2.5	3.5	5	4	6	8	12	15	20
	<i>0.3</i>	<i>0.6</i>	<i>0.8</i>	<i>1.125</i>	<i>1.8</i>	<i>2.25</i>	<i>3</i>	<i>3.5</i>	<i>4</i>	<i>6</i>	<i>9</i>						
440	0.15	0.3	0.5	0.6	1	1.25	1.6	2	2.25	3.2	5	4	6	8	12	15	20
	<i>0.25</i>	<i>0.5</i>	<i>0.8</i>	<i>1.125</i>	<i>1.6</i>	<i>2.25</i>	<i>2.8</i>	<i>3.2</i>	<i>3.5</i>	<i>5.6</i>	<i>8</i>						
460	0.15	0.3	0.4	0.6	0.8	1.25	1.6	1.8	2.25	3.2	4.5	3.5	6	8	12	15	20
	<i>0.25</i>	<i>0.5</i>	<i>0.8</i>	<i>1</i>	<i>1.6</i>	<i>2</i>	<i>2.5</i>	<i>3.2</i>	<i>3.5</i>	<i>5</i>	<i>8</i>						
480	0.15	0.3	0.4	0.6	0.8	1.25	1.5	1.8	2	3	4.5	3.5	5	7	10	15	20
	<i>0.25</i>	<i>0.5</i>	<i>0.75</i>	<i>1</i>	<i>1.5</i>	<i>2</i>	<i>2.5</i>	<i>3</i>	<i>3.5</i>	<i>5</i>	<i>7.5</i>						
550	0.125	0.25	0.4	0.5	0.8	1	1.25	1.6	1.8	2.5	4	5	4.5	6	9	15	15
	<i>0.2</i>	<i>0.4</i>	<i>0.6</i>	<i>0.8</i>	<i>1.25</i>	<i>1.8</i>	<i>2.25</i>	<i>2.5</i>	<i>3</i>	<i>4.5</i>	<i>6.25</i>						
575	0.125	0.25	0.3	0.5	0.75	1	1.25	1.5	1.8	2.5	3.5	5	4.5	6	9	15	15
	<i>0.2</i>	<i>0.4</i>	<i>0.6</i>	<i>0.8</i>	<i>1.25</i>	<i>1.6</i>	<i>2</i>	<i>2.5</i>	<i>3</i>	<i>4</i>	<i>6.25</i>						
600	0.125	0.2	0.3	0.5	0.75	0.8	1.25	1.5	1.6	2.25	3.5	5	4	6	9	15	15
	<i>0.2</i>	<i>0.4</i>	<i>0.6</i>	<i>0.8</i>	<i>1.25</i>	<i>1.6</i>	<i>2</i>	<i>2.5</i>	<i>2.8</i>	<i>4</i>	<i>6.25</i>						

References: UL 508, 32.7
 UL 845, 11.16 and 11.17
 NEC 430-72 (c) exception #2
 NEC 450-3 (b) 1 and 2
 CEC Part I, 26-256



HPS Imperator® Machine Tool Industrial Control Transformer

The Perfect Solution

The HPS Imperator line of machine tool industrial control transformers are specifically designed to meet the high inrush industrial applications where electromagnetic components such as relays, solenoids etc. are used.

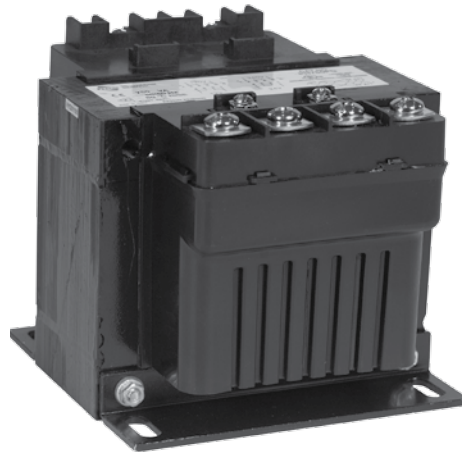
- 11 standard voltage groups
- VA range from 50VA to 1500VA
- Available with standard secondary and optional primary fuse kits
- Optional finger safe terminal covers
- Patented unique terminal block design
- Innovative fusing method
- Lifetime warranty (limited)

The HPS Imperator provides the perfect solution for any applications.

Superior Quality and Value

The HPS Imperator design, utilizing superior insulation systems and being constructed with high quality silicon steel laminations for optimum performance, will meet or exceed UL and CE standards.

Backed by an industry leading LIFETIME warranty, the HPS Imperator industrial control transformer line offers superior performance, quality and value.



STANDARDS

HPS Imperator Series Control Transformers meet or exceed the standards established by UL, IEC, and NEMA.

Standard	File #	VA Size
UL (ANSI/UL 506)	E50394	All
IEC 61558		All (excluding PH***AJ & PH***AR)
NEMA (ST-1)		All



At HPS, we rate the VA capacity of our transformers at the output where it counts. Other transformer manufacturers rate their capacity on the input side of the transformer, which can result in a 5% to 20% lower actual VA at the output.

MACHINE TOOL INDUSTRIAL CONTROL TRANSFORMER SELECTION

Selecting a control transformer requires that you have first hand knowledge of the application for the transformer and that you understand some basic terms related to the selection process. By using the following information, you will be sure to select the HPS Imperator® control transformer which best meets your application.

The HPS Imperator® series machine tool control transformers are specifically designed for high inrush applications requiring reliable output voltage stability. Designed to meet industrial applications where electromagnetic devices such as relays, solenoids, etc. are used, the HPS Imperator series transformers maximize inrush capability and output voltage regulation when electromagnetic devices are initially energized.

To select the proper transformer, three characteristics of the load circuit must first be determined. They are total steady-state (sealed) VA, total inrush VA, and inrush load power factor.

(A) The total steady state “sealed” VA is the amount of VA that the transformer must supply to the load circuit for an extended length of time. Simply add the total steady-state VA of all devices in your control circuit. The operating VA data of these components is available from the manufacturers.

(B) The total inrush VA is the amount of VA that the transformer must supply for all components in the control circuit which are energized together. Some consideration to the start-up sequence may be required. Inrush VA should be obtained from the device manufacturer.

(C) The inrush load power factor is difficult to determine without detailed vector analysis of all the control circuit components. Such information is not generally available. Therefore, HPS is recommending that a 40% power factor be utilized. Although some other control transformer manufacturers still recommend a power factor of only 20%, HPS, through recent tests conducted on many popular brands of control devices, has determined that the 40% power factor value is more accurate.

Once the above circuit variables have

been determined, transformer selection is a six step process.

SIX EASY STEPS

1. Determine what your Primary (supply) and Secondary (output) voltage requirements are, as well as your required frequency (i.e. 60 Hz)
2. Calculate the Total Sealed VA of your circuit. (See Step A)
3. Calculate the Inrush VA by adding the inrush VA of all components being energized together. Remember to add the sealed VA of all components that do not have inrush VA, (lamps, timers etc.) as they present a load to the transformer during maximum inrush. If the inrush for the components in your circuit are not known, assume a 40% Inrush Power Factor.
4. Calculate the Total Inrush VA using one of the two methods:

A.
$$\text{Total Inrush VA} = \sqrt{(\text{VA sealed})^2 + (\text{VA inrush})^2}$$

OR

B.
$$\text{Total Inrush VA} = \text{VA Sealed} + \text{VA Inrush}$$

Note: method B will result in a slightly larger transformer being selected.

For VA sealed definition please refer to 1 (A).
For VA inrush definition please refer to 1 (B).

5. If the nominal supply voltage does not fluctuate more than 5%, then reference the 90% secondary voltage column in the Regulation Data Table for the correct VA rating.

If the supply voltage varies upwards of 10%, the 95% secondary voltage column should be used to size the transformer.

Current standards require electromagnetic devices to operate reliably at a minimum of 85% of their rated voltage. However, contact life may be affected with continuous start-ups at that voltage level. Therefore, the minimum 85% secondary voltage column should only be used as a reference.

6. Using the regulation data tables below, select the appropriate VA rated transformer:

A) With a continuous VA rating that is equal to or greater than the value in Step 2.

B) With a maximum inrush VA equal to or greater than the value obtained in Step 4.

To determine the correct HPS transformer and its catalog part number, just refer to the tables in this catalog for the voltage ratings, frequency and corresponding VA required.

**HPS IMPERATOR® TRANSFORMERS
REGULATION DATA TABLE**

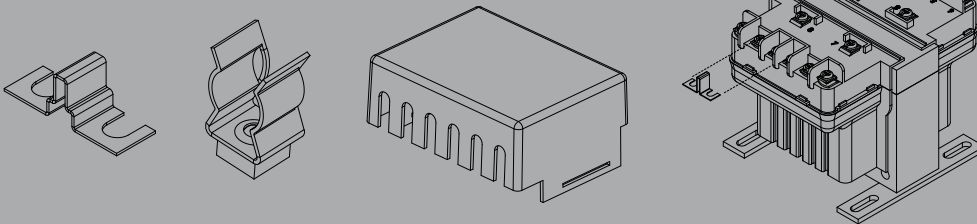
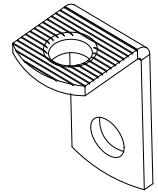
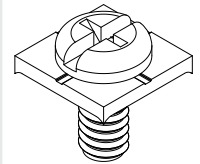
Continuous VA Transformer Nameplate Rating	Inrush VA @ 40% Power Factor		
	85% Secondary Voltage	90% Secondary Voltage	95% Secondary Voltage
50	330	259	192
75	350	258	170
100	620	467	321
150	895	699	512
250	1596	1229	880
350	2464	1889	1345
500	3939	2854	1819
750	6422	4778	3228
1000	9842	7102	4530
1500	12797	9018	5489

It is recommended that a control transformer be sized at a 40% Power Factor. Some components in a circuit, such as electromagnetic devices, typically operate at that level due to their inherently lower power factor. Selecting a transformer at 40% Power Factor will more than adequately size the unit for all the various loads in the circuit.



FEATURES & BENEFITS

- 600V class, machine tool rated industrial control transformers
- Multi-voltage primary and secondary models increase range of application per unit
- 50/60 Hertz (60Hz on PH***AJ & PH***AR)
- Termination: standard combination screw connection (including SEMS washers)
- Constructed with high quality silicon steel laminations that provide optimum performance and reliability
- Encapsulated copper wound coils encased in a custom injection molded cover, protects coils and terminations from moisture, dirt and other industrial airborne contaminants
- Mounting Feet: made of heavy steel and welded or bolted to the core, these mounting feet provide superior strength in a compact design.
- Superior insulating materials:
 - 105°C (55°C rise) 50 VA to 150 VA
 - 130°C (80°C rise) 250 VA to 1500 VA
 (Note: Temperature rise based on 25°C ambient)
- Seismically certified in accordance with IBC 2009; Section 1613 Earthquake Loads, for $S_{Ds} \leq 2.00g$, $z/h = 1.0$, and $I_p = 1.5$
- Standard secondary fuse kits - utilizing 13/32" x 1 1/2" midget/type CC fuse clips
- Optional primary fuse kits available utilizing 13/32" x 1 1/2" midget/type CC fuse clips
- Optional finger safe terminal covers available on all units
- UL Listed (approved for U.S. and Canada)
- CE Mark standard on all units (excluding PH*AR and PH*AJ)
- RoHS Compliant
- **LIFETIME Warranty (Limited)**

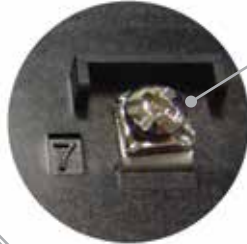


Warranty

Lifetime

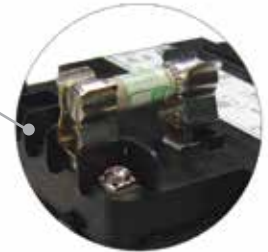
FEATURES & BENEFITS CONTINUED

Terminal connection numbers molded into the terminal block and correspond to the nameplate and wiring diagrams, make connecting the HPS Imperator quick and simple.



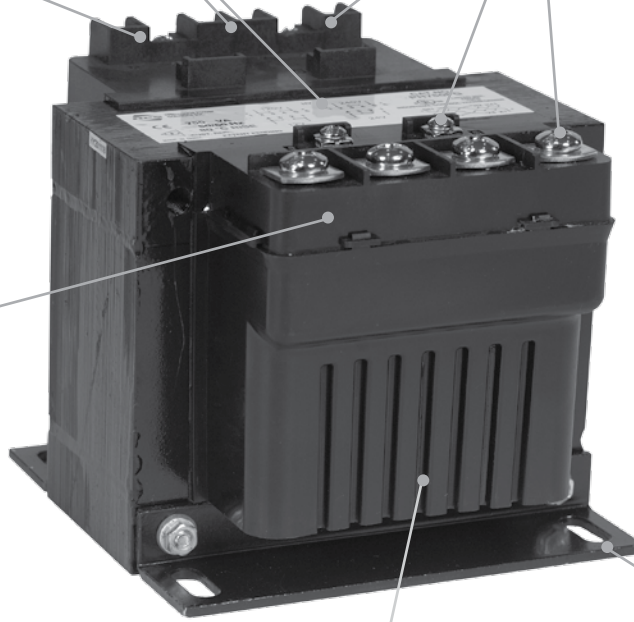
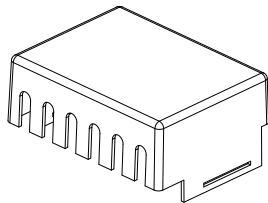
SEMS washer allows for easy connection of supply or load wires with or without terminal connectors.

Standard secondary and optional primary fuse kits utilizing 13/32" x 1 1/2" midget/type CC fuse clips provide an economical solution to your fusing requirements (fuses not available).



Innovative terminal block design provides for easy hook-up and installation of fuse clips.

Optional removable finger safe terminal covers available on all units.



Custom injection molded coil cover with its unique "fin shaped" design combines superior cooling properties with a clean, bold look.

Made of heavy steel and welded or bolted to the core, these mounting feet provide superior strength in a compact design.

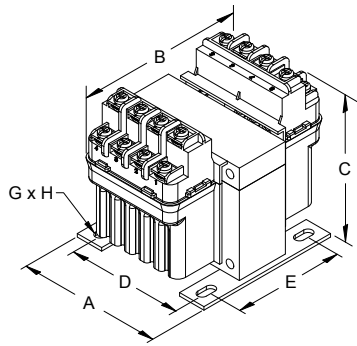


FIGURE A

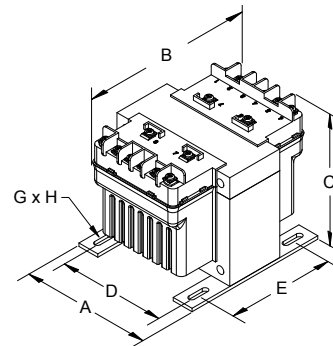


FIGURE B

Group A

Primary Voltage: **600** || 575 || 550
 Secondary Voltage: **120 X 240** || 115 X 230 || 110 X 220



60 Hertz

VA Rating	Catalog Number	Mtg. Fig.	Output Amps	Overall Dimensions			Mounting Centers		Mounting Slot G X H	Height with Finger Guard	Depth with Finger Guard	Approx. Ship Weight Lbs.	Optional Primary Fuse Kit P/N	Optional Unfused and Fused Finger Guard Kit P/N
				A	B	C	D	E						
50	PH50AJ	A	0.42/0.21	3.00	3.81	3.19	2.50	2.25	0.22 x 0.44	4.00	5.25	2.70	PFK1	FG1*/FGF1
75	PH75AJ	A	0.63/0.31	3.25	3.69	3.56	2.63	2.50	0.22 x 0.44	4.37	5.13	2.80	PFK1	FG2*/FGF2
100	PH100AJ	A	0.83/0.42	3.25	4.06	3.63	2.63	2.63	0.22 x 0.44	4.44	5.50	4.10	PFK1	FG2*/FGF2
150	PH150AJ	B	1.25/0.63	4.00	4.63	3.81	3.38	2.75	0.22 x 0.75	4.50	6.13	4.90	PFK2	FG3
250	PH250AJ	B	2.08/1.04	4.50	5.25	3.81	3.75	3.13	0.22 x 0.75	4.50	6.75	6.97	PFK2	FG3
350	PH350AJ	B	2.92/1.46	4.50	4.88	4.44	3.75	3.75	0.22 x 0.75	5.18	6.38	8.30	PFK3	FG4
500	PH500AJ	B	4.17/2.08	4.75	5.56	4.31	4.06	3.44	0.31 x 0.94	5.13	7.06	11.6	PFK3	FG4
750	PH750AJ	B	6.25/3.13	5.13	6.38	4.31	4.38	4.00	0.31 x 0.81	5.13	8.13	16.6	PFK3	FG4
1000	PH1000AJ	B	8.33/4.17	5.25	6.50	4.94	4.50	4.09	0.31 x 0.81	5.56	8.00	21.0	PFK3	FG5
1500	PH1500AJ	B	12.5/6.25	5.25	7.56	4.94	4.50	5.44	0.38 x 1.00	5.56	9.06	30.0	PFK3	FG5

Secondary fuse clips, fuse clip mounting screws and primary and secondary voltage links/jumpers supplied standard with transformers. All dimensions in inches
 *Note: Unfused finger guard kits are marked with an asterisk, for more information refer to page 43.
 Refer to page 63 for wiring schematic drawing. Custom voltage and VA sizes available upon request.

Group B

Primary Voltage: **600** || 575 || 550
 Secondary Voltage: **12 X 24** || 11.5 X 23 || 11 X 22



60 Hertz

VA Rating	Catalog Number	Mtg. Fig.	Output Amps	Overall Dimensions			Mounting Centers		Mounting Slot G X H	Height with Finger Guard	Depth with Finger Guard	Approx. Ship Weight Lbs.	Optional Primary Fuse Kit P/N	Optional Unfused and Fused Finger Guard Kit P/N
				A	B	C	D	E						
50	PH50AR	A	4.17/2.08	3.00	3.81	3.19	2.50	2.25	0.22 x 0.44	4.00	5.25	2.70	PFK1	FG1*/FGF1
75	PH75AR	A	6.25/3.13	3.25	3.69	3.56	2.63	2.50	0.22 x 0.44	4.37	5.13	2.80	PFK1	FG2*/FGF2
100	PH100AR	A	8.33/4.17	3.25	4.19	3.63	2.63	2.63	0.22 x 0.44	4.50	5.63	4.50	PFK1	FG2*/FGF2
150	PH150AR	B	12.5/6.25	4.00	4.94	3.81	3.38	2.75	0.22 x 0.75	4.50	6.44	5.70	PFK2	FG3
250	PH250AR	B	20.8/10.4	4.50	5.44	3.81	3.75	3.13	0.22 x 0.75	4.50	6.94	7.50	PFK2	FG3
350	PH350AR	B	29.2/14.6	4.50	4.88	4.44	3.75	3.75	0.22 x 0.75	5.18	6.38	8.30	PFK3	FG4
500	PH500AR	B	41.7/20.8	4.75	5.56	4.31	4.06	3.44	0.31 x 0.94	5.13	7.06	11.6	PFK3	FG4

Secondary fuse clips, fuse clip mounting screws and primary and secondary voltage links/jumpers supplied with transformers. All dimensions in inches
 *Note: Unfused finger guard kits are marked with an asterisk, for more information refer to page 43.
 Refer to page 64 for wiring schematic drawing. Custom voltages and VA sizes available upon request.

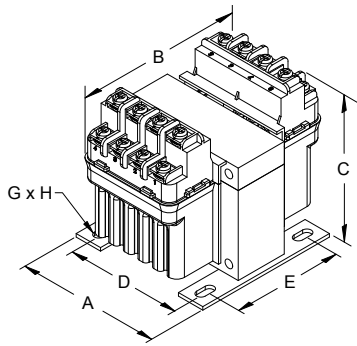


FIGURE A

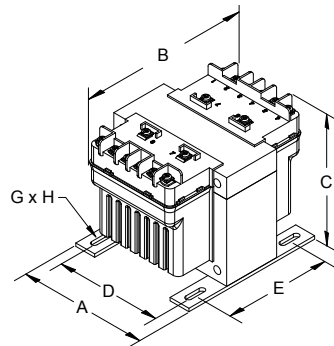


FIGURE B

Group C

Primary Voltage: **240 X 480** || 230 X 460 || 220 X 440
 Secondary Voltage: **120 X 240** || 115 X 230 || 110 X 220



50/60 Hertz

VA Rating	Catalog Number	Mtg. Fig.	Output Amps	Overall Dimensions			Mounting Centers		Mounting Slot G X H	Height with Finger Guard	Depth with Finger Guard	Approx. Ship Weight Lbs.	Optional Primary Fuse Kit P/N	Optional Unfused and Fused Finger Guard Kit P/N
				A	B	C	D	E						
50	PH50QMJ	A	0.42/0.21	3.00	4.38	3.19	2.50	2.25	0.22 x 0.44	4.00	5.82	3.50	PFK1	FG1*/FGF1
75	PH75QMJ	A	0.63/0.31	3.25	3.88	3.56	2.63	2.50	0.22 x 0.44	4.37	5.32	3.54	PFK1	FG2*/FGF2
100	PH100QMJ	A	0.83/0.42	3.25	4.19	3.63	2.63	2.63	0.22 x 0.44	4.50	5.63	4.50	PFK1	FG2*/FGF2
150	PH150QMJ	B	1.25/0.63	4.00	4.94	3.81	3.38	2.75	0.22 x 0.75	4.50	6.44	5.70	PFK2	FG3
250	PH250QMJ	B	2.08/1.04	4.50	5.44	3.81	3.75	3.13	0.22 x 0.75	4.50	6.94	7.50	PFK2	FG3
350	PH350QMJ	B	2.92/1.46	4.50	5.19	4.44	3.75	3.75	0.22 x 0.75	5.18	6.69	10.1	PFK3	FG4
500	PH500QMJ	B	4.17/2.08	4.75	5.94	4.31	4.06	3.81	0.31 x 0.94	5.13	7.44	14.2	PFK3	FG4
750	PH750QMJ	B	6.25/3.13	5.13	6.69	4.31	4.38	4.31	0.31 x 0.81	5.13	8.19	16.6	PFK3	FG4
1000	PH1000QMJ	B	8.33/4.17	5.25	6.81	4.94	4.50	4.44	0.31 x 0.81	5.56	8.31	23.6	PFK3	FG5
1500	PH1500QMJ	B	12.5/6.25	5.25	8.19	4.94	4.50	6.06	0.38 x 1.00	5.56	9.69	32.0	PFK3	FG5

Secondary fuse clips, fuse clip mounting screws and primary and secondary voltage links/jumpers supplied standard with transformers. All dimensions in inches
 *Note: Unfused finger guard kits are marked with an asterisk, for more information refer to page 43.
 Refer to page 65 for wiring schematic drawing. Custom voltages and VA sizes available upon request.
 *** Available with FACTORY INSTALLED Primary and Secondary Fuse Kits up to 1500VA. To order, add the suffix "-FK" to the above part number. Refer to page 42 for details. ***

Group D

Primary Voltage: **240 X 480** || 230 X 460 || 220 X 440
 Secondary Voltage: **12 X 24** || 11.5 X 23 || 11 X 22



50/60 Hertz

VA Rating	Catalog Number	Mtg. Fig.	Output Amps	Overall Dimensions			Mounting Centers		Mounting Slot G X H	Height with Finger Guard	Depth with Finger Guard	Approx. Ship Weight Lbs.	Optional Primary Fuse Kit P/N	Optional Unfused and Fused Finger Guard Kit P/N
				A	B	C	D	E						
50	PH50QR	A	4.17/2.08	3.00	4.38	3.19	2.50	2.25	0.22 x 0.44	4.00	5.82	3.50	PFK1	FG1*/FGF1
75	PH75QR	A	6.25/3.13	3.25	3.88	3.56	2.63	2.50	0.22 x 0.44	4.37	5.32	3.54	PFK1	FG2*/FGF2
100	PH100QR	A	8.33/4.17	3.25	4.19	3.63	2.63	2.63	0.22 x 0.44	4.50	5.63	4.50	PFK1	FG2*/FGF2
150	PH150QR	B	12.5/6.25	4.00	4.94	3.81	3.38	2.75	0.22 x 0.75	4.50	6.44	5.70	PFK2	FG3
250	PH250QR	B	20.8/10.4	4.50	5.44	3.81	3.75	3.13	0.22 x 0.75	4.50	6.94	7.50	PFK2	FG3
350	PH350QR	B	29.2/14.6	4.50	5.19	4.44	3.75	3.75	0.22 x 0.75	5.18	6.69	10.1	PFK3	FG4
500	PH500QR	B	41.7/20.8	4.75	5.94	4.31	4.06	3.81	0.31 x 0.94	5.13	7.44	14.2	PFK3	FG4

Secondary fuse clips, fuse clip mounting screws and primary and secondary voltage links/jumpers supplied standard with transformers. All dimensions in inches
 *Note: Unfused finger guard kits are marked with an asterisk, for more information refer to page 43.
 Refer to page 66 for wiring schematic drawing. Custom voltages and VA sizes available upon request.

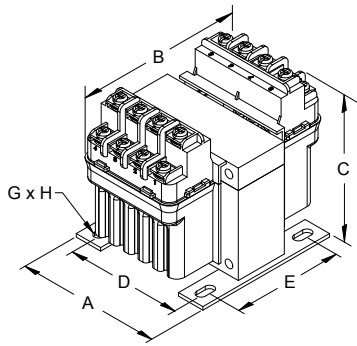


FIGURE A

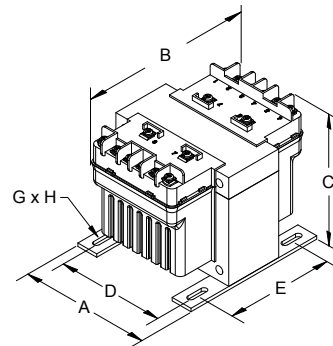


FIGURE B

Group E

Primary Voltage: **208 X 416** || 200 X 400 || 190 X 380
 Secondary Voltage: **120 X 240** || 115 X 230 || 110 X 220



50/60 Hertz

VA Rating	Catalog Number	Mtg. Fig.	Output Amps	Overall Dimensions			Mounting Centers		Mounting Slot	Height with Finger Guard	Depth with Finger Guard	Approx. Ship Weight Lbs.	Optional Primary Fuse Kit P/N	Optional Unfused and Fused Finger Guard Kit P/N
				A	B	C	D	E	G X H					
50	PH50SP	A	0.42/0.21	3.00	4.38	3.19	2.50	2.25	0.22 x 0.44	4.00	5.82	3.50	PFK1	FG1*/FGF1
75	PH75SP	A	0.63/0.31	3.25	3.88	3.56	2.63	2.50	0.22 x 0.44	4.37	5.32	3.54	PFK1	FG2*/FGF2
100	PH100SP	A	0.83/0.42	3.25	4.19	3.63	2.63	2.63	0.22 x 0.44	4.50	5.63	4.50	PFK1	FG2*/FGF2
150	PH150SP	B	1.25/0.63	4.00	4.94	3.81	3.38	2.75	0.22 x 0.75	4.50	6.44	5.70	PFK2	FG3
250	PH250SP	B	2.08/1.04	4.50	5.44	3.81	3.75	3.13	0.22 x 0.75	4.50	6.94	7.50	PFK2	FG3
350	PH350SP	B	2.92/1.46	4.50	5.19	4.44	3.75	3.75	0.22 x 0.75	5.18	6.69	10.1	PFK3	FG4
500	PH500SP	B	4.17/2.08	4.75	5.94	4.31	4.06	3.81	0.31 x 0.94	5.13	7.44	14.2	PFK3	FG4
750	PH750SP	B	6.25/3.13	5.13	6.69	4.31	4.38	4.31	0.31 x 0.81	5.13	8.19	16.6	PFK3	FG4
1000	PH1000SP	B	8.33/4.17	5.25	6.81	4.94	4.50	4.44	0.31 x 0.81	5.56	8.31	23.6	PFK3	FG5

Secondary fuse clips, fuse clip mounting screws and primary and secondary voltage links/jumpers supplied standard with transformers.
 *Note: Unfused finger guard kits are marked with an asterisk, for more information refer to page 43.
 Refer to page 67 for wiring schematic drawing. Custom voltages and VA sizes available upon request.

All dimensions in inches

Group F

Primary Voltage: **120 X 240** || 115 X 230 || 110 X 220
 Secondary Voltage: **120 X 240** || 115 X 230 || 110 X 220



50/60 Hertz

VA Rating	Catalog Number	Mtg. Fig.	Output Amps	Overall Dimensions			Mounting Centers		Mounting Slot	Height with Finger Guard	Depth with Finger Guard	Approx. Ship Weight Lbs.	Optional Primary Fuse Kit P/N	Optional Unfused and Fused Finger Guard Kit P/N
				A	B	C	D	E	G X H					
50	PH50PP	A	0.42/0.21	3.00	4.38	3.19	2.50	2.25	0.22 x 0.44	4.00	5.82	3.50	PFK1	FG1*/FGF1
75	PH75PP	A	0.63/0.31	3.25	3.88	3.56	2.63	2.50	0.22 x 0.44	4.37	5.32	3.54	PFK1	FG2*/FGF2
100	PH100PP	A	0.83/0.42	3.25	4.19	3.63	2.63	2.63	0.22 x 0.44	4.50	5.63	4.50	PFK1	FG2*/FGF2
150	PH150PP	B	1.25/0.63	4.00	4.94	3.81	3.38	2.75	0.22 x 0.75	4.50	6.44	5.70	PFK2	FG3
250	PH250PP	B	2.08/1.04	4.50	5.44	3.81	3.75	3.13	0.22 x 0.75	4.50	6.94	7.50	PFK2	FG3
350	PH350PP	B	2.92/1.46	4.50	5.19	4.44	3.75	3.75	0.22 x 0.75	5.18	6.69	10.1	PFK3	FG4
500	PH500PP	B	4.17/2.08	4.75	5.94	4.31	4.06	3.81	0.31 x 0.94	5.13	7.44	14.2	PFK3	FG4
750	PH750PP	B	6.25/3.13	5.13	6.69	4.31	4.38	4.31	0.31 x 0.81	5.13	8.19	16.6	PFK3	FG4
1000	PH1000PP	B	8.33/4.17	5.25	6.81	4.94	4.50	4.44	0.31 x 0.81	5.56	8.31	23.6	PFK3	FG5
1500	PH1500PP	B	12.5/6.25	5.25	8.19	4.94	4.50	6.06	0.38 x 1.0	5.56	9.69	32.0	PFK3	FG5

Secondary fuse clips, fuse clip mounting screws and primary and secondary voltage links/jumpers supplied standard with transformers.
 *Note: Unfused finger guard kits are marked with an asterisk, for more information refer to page 43.
 Refer to page 68 for wiring schematic drawing. Custom voltages and VA sizes available upon request.

All dimensions in inches



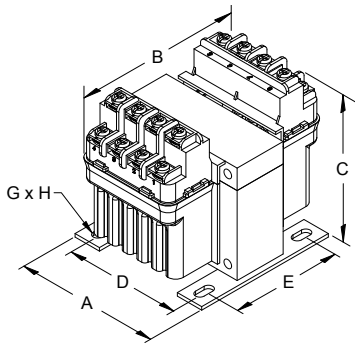


FIGURE A

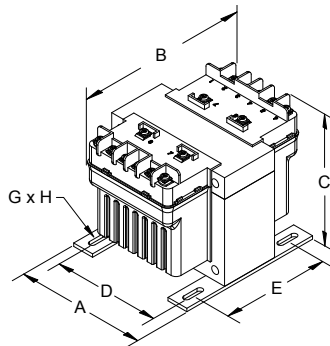


FIGURE B

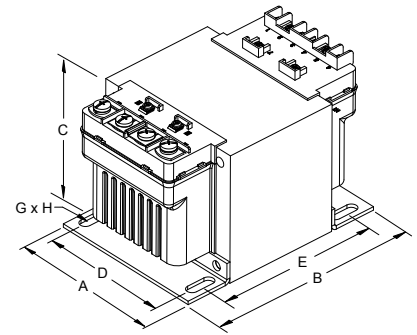


FIGURE C

Group G

Primary Voltage: 120 X 240 || 115 X 230 || 110 X 220
 Secondary Voltage: 12 X 24 || 11.5 X 23 || 11 X 22

50/60 Hertz

VA Rating	Catalog Number	Mtg. Fig.	Output Amps	Overall Dimensions			Mounting Centers		Mounting Slot	Height with Finger Guard	Depth with Finger Guard	Approx. Ship Weight Lbs.	Optional Primary Fuse Kit P/N	Optional Unfused and Fused Finger Guard Kit P/N
				A	B	C	D	E	G X H					
50	PH50PG	A	4.17/2.08	3.00	4.38	3.19	2.50	2.25	0.22 x 0.44	4.00	5.82	3.50	PFK1	FG1*/FGF1
75	PH75PG	A	6.25/3.13	3.25	3.88	3.56	2.63	2.50	0.22 x 0.44	4.37	5.32	3.54	PFK1	FG2*/FGF2
100	PH100PG	A	8.33/4.17	3.25	4.19	3.63	2.63	2.63	0.22 x 0.44	4.50	5.63	4.50	PFK1	FG2*/FGF2
150	PH150PG	B	12.5/6.25	4.00	4.94	3.81	3.38	2.75	0.22 x 0.75	4.50	6.44	5.70	PFK2	FG3
250	PH250PG	B	20.8/10.4	4.50	5.44	3.81	3.75	3.13	0.22 x 0.75	4.50	6.94	7.50	PFK2	FG3
350	PH350PG	B	29.2/14.6	4.50	5.19	4.44	3.75	3.75	0.22 x 0.75	5.18	6.69	10.1	PFK3	FG4
500	PH500PG	B	41.7/20.8	4.75	5.94	4.31	4.06	3.81	0.31 x 0.94	5.13	7.44	14.2	PFK3	FG4
750	PH750PG	C	62.5/31.3	5.25	6.25	4.94	4.38	4.31	0.31 x 0.81	5.56	7.88	16.6	PFK3	FG5
1000	PH1000PG	C	83.3/41.7	5.25	6.81	4.94	4.50	4.44	0.31 x 0.81	5.56	8.31	23.6	PFK3	FG5

Secondary fuse clips and fuse clip mounting screws supplied standard with transformers up to and including 500VA. Primary and Secondary voltage links/jumpers supplied standard with transformers. All dimensions in inches

*Note: Unfused finger guard kits are marked with an asterisk, for more information refer to page 43.

Refer to page 69 for wiring schematic drawing. Custom voltages and VA sizes available upon request.

*** Available with FACTORY INSTALLED Primary and Secondary Fuse Kits up to 1000VA. To order, add the suffix "-FK" to the above part number. Refer to page 42 for details. ***

Group H

Primary Voltage: 600/480/240 || 575/460/230 || 550/440/220
 Secondary Voltage: 120/100 || 115/95 || 110/90

50/60 Hertz

VA Rating	Catalog Number	Mtg. Fig.	Output Amps	Overall Dimensions			Mounting Centers		Mounting Slot	Height with Finger Guard	Depth with Finger Guard	Approx. Ship Weight Lbs.	Optional Primary Fuse Kit P/N	Optional Unfused and Fused Finger Guard Kit P/N
				A	B	C	D	E	G X H					
50	PH50MBMH	A	0.43	3.25	4.06	3.63	2.63	2.63	0.22 x 0.44	4.50	5.50	4.10	PFK5	FG2*/FGF2
75	PH75MBMH	A	0.65	3.25	4.19	3.63	2.63	2.63	0.22 x 0.44	4.50	5.63	4.50	PFK5	FG2*/FGF2
100	PH100MBMH	B	0.87	4.00	4.63	3.81	3.38	2.75	0.22 x 0.75	4.50	6.25	4.90	PFK6	FG3
150	PH150MBMH	B	1.30	4.00	5.44	3.81	3.38	2.75	0.22 x 0.75	4.50	6.94	7.60	PFK6	FG3
250	PH250MBMH	B	2.17	4.50	5.19	4.44	3.75	3.75	0.22 x 0.75	5.18	6.69	10.1	PFK6	FG4
350	PH350MBMH	B	3.04	4.50	5.56	4.44	3.75	3.75	0.22 x 0.75	5.18	7.06	11.0	PFK7	FG4
500	PH500MBMH	B	4.35	4.75	6.69	4.31	4.06	4.50	0.31 x 0.94	5.13	8.19	16.3	PFK7	FG4
750	PH750MBMH	B	6.52	5.25	6.81	4.94	4.50	4.44	0.31 x 0.81	5.56	8.31	23.6	PFK7	FG5
1000	PH1000MBMH	B	8.70	5.25	8.19	4.94	4.50	5.81	0.31 x 0.81	5.56	9.69	31.2	PFK7	FG5
1500	PH1500MBMH	B	13.0	5.25	8.19	4.94	4.50	6.06	0.38 x 1.0	5.56	9.69	32.0	PFK7	FG5

Secondary fuse clips, fuse clip mounting screws and primary and secondary voltage links/jumpers supplied standard with transformers. All dimensions in inches

*Note: Unfused finger guard kits are marked with an asterisk, for more information refer to page 43.

Refer to page 70 for wiring schematic drawing. Custom voltage and VA sizes available upon request.

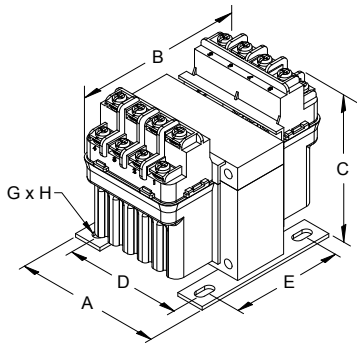


FIGURE A

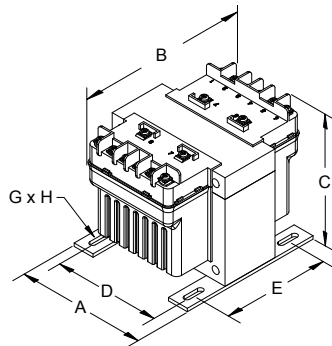


FIGURE B

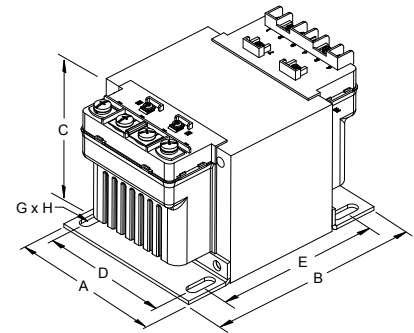


FIGURE C

Group I

Primary Voltage: 480/240 || **460/230/208** || 440/220/200
 Secondary Voltage: 120/25 || **115/24** || 110/23

50/60 Hertz

VA Rating	Catalog Number	Mtg. Fig.	Output Amps	Overall Dimensions			Mounting Centers		Mounting Slot G X H	Height with Finger Guard	Depth with Finger Guard	Approx. Ship Weight Lbs.	Optional Primary Fuse Kit P/N	Optional Unfused and Fused Finger Guard Kit P/N
				A	B	C	D	E						
50	PH50MLI	A	0.43/2.08	3.25	4.06	3.56	2.63	2.50	0.22 x 0.44	4.37	5.50	4.00	PFK5	FG2*/FGF2
75	PH75MLI	A	0.65/3.13	3.25	4.25	3.56	2.63	2.50	0.22 x 0.44	4.37	5.63	4.60	PFK5	FG2*/FGF2
100	PH100MLI	A	0.87/4.17	3.25	4.69	3.63	2.63	2.63	0.22 x 0.44	4.50	6.25	5.20	PFK5	FG2*/FGF2
150	PH150MLI	B	1.30/6.25	4.00	5.44	3.81	3.38	2.75	0.22 x 0.75	4.50	6.94	7.60	PFK6	FG3
250	PH250MLI	B	2.17/10.42	4.50	5.19	4.44	3.75	3.75	0.22 x 0.75	5.18	6.69	10.1	PFK6	FG4
350	PH350MLI	B	3.04/14.58	4.50	5.56	4.44	3.75	3.75	0.22 x 0.75	5.18	7.06	11.0	PFK7	FG4
500	PH500MLI	B	4.35/20.83	4.75	6.69	4.31	4.06	4.50	0.31 x 0.94	5.13	8.19	16.3	PFK7	FG4
750	PH750MLI	C	6.52/31.25	5.25	6.50	4.94	4.50	4.13	0.31 x 0.81	5.56	8.31	21.0	PFK7	FG5
1000	PH1000MLI	C	8.70/41.67	5.25	8.19	4.94	4.50	5.81	0.31 x 0.81	5.56	9.69	31.2	PFK7	FG5

Secondary fuse clips and fuse clip mounting screws supplied standard with transformers up to and including 500VA. All dimensions in inches
 Primary and Secondary voltage links/jumpers supplied standard with transformers up to and including 1000VA.
 *Note: Unfused finger guard kits are marked with an asterisk, for more information refer to page 43.
 Refer to page 71 for wiring schematic drawing. Custom voltages and VA sizes available upon request.
 *** Available with FACTORY INSTALLED Primary and Secondary Fuse Kits up to 1000VA. To order, add the suffix "-FK" to the above part number. Refer to page 42 for details. ***

Group J

Primary Voltage: 415/400/380
 Secondary Voltage: 110 X 220

50/60 Hertz

VA Rating	Catalog Number	Mtg. Fig.	Output Amps	Overall Dimensions			Mounting Centers		Mounting Slot G X H	Height with Finger Guard	Depth with Finger Guard	Approx. Ship Weight Lbs.	Optional Primary Fuse Kit P/N	Optional Unfused and Fused Finger Guard Kit P/N
				A	B	C	D	E						
50	PH50MEMX	A	0.45/0.23	3.00	4.38	3.19	2.50	2.25	0.22 x 0.44	4.00	5.82	3.50	PFK4	FG1*/FGF1
75	PH75MEMX	A	0.68/0.34	3.25	4.06	3.63	2.63	2.63	0.22 x 0.44	4.44	5.50	4.10	PFK5	FG2*/FGF2
100	PH100MEMX	A	0.91/0.45	3.25	4.19	3.63	2.63	2.63	0.22 x 0.44	4.44	5.63	4.50	PFK5	FG2*/FGF2
150	PH150MEMX	B	1.36/0.68	4.00	4.94	3.81	3.38	2.75	0.22 x 0.75	4.50	6.44	5.70	PFK6	FG3
250	PH250MEMX	B	2.27/1.14	4.50	5.44	3.81	3.75	3.13	0.22 x 0.75	4.50	6.94	7.50	PFK6	FG3
350	PH350MEMX	B	3.18/1.59	4.50	5.19	4.44	3.75	3.75	0.22 x 0.75	5.18	6.69	10.1	PFK7	FG4
500	PH500MEMX	B	4.55/2.27	4.75	5.94	4.31	4.06	3.81	0.31 x 0.94	5.13	7.44	14.2	PFK7	FG4
750	PH750MEMX	B	6.82/3.41	5.25	6.50	4.94	4.50	4.13	0.31 x 0.81	5.56	8.00	21.0	PFK7	FG5
1000	PH1000MEMX	B	9.09/4.55	5.25	6.81	4.94	4.50	4.44	0.31 x 0.81	5.56	8.31	23.6	PFK7	FG5

Secondary fuse clips, fuse clip mounting screws and primary and secondary voltage links/jumpers supplied standard with transformers. All dimensions in inches
 *Note: Unfused finger guard kits are marked with an asterisk, for more information refer to page 43.
 Refer to page 72 for wiring schematic drawing. Custom voltages and VA sizes available upon request.

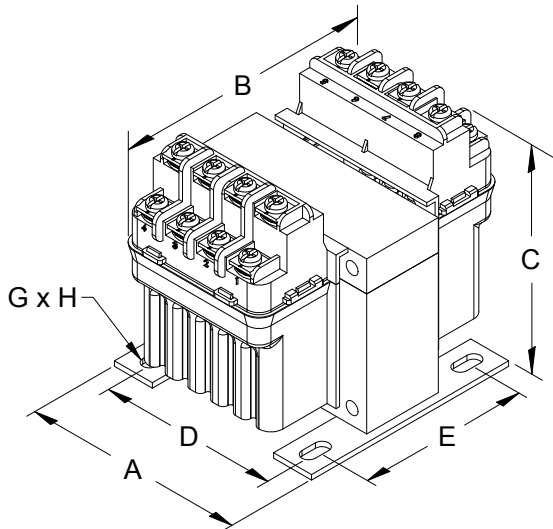


FIGURE A

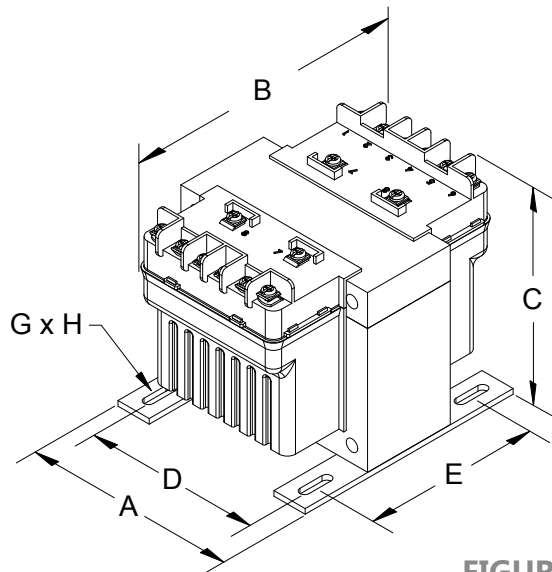


FIGURE B

Group K

Primary Voltage: 380/277/208

Secondary Voltage: 120 X 240



50/60 Hertz

VA Rating	Catalog Number	Mtg. Fig.	Output Amps	Overall Dimensions			Mounting Centers		Mounting Slot G X H	Height with Finger Guard	Depth with Finger Guard	Approx. Ship Weight Lbs.	Optional Primary Fuse Kit P/N	Optional Unfused and Fused Finger Guard Kit P/N
				A	B	C	D	E						
50	PH50MGJ	A	0.42/0.21	3.25	3.88	3.56	2.63	2.50	0.22 x 0.44	4.37	5.32	3.54	PFK5	FG2*/FGF2
75	PH75MGJ	A	0.63/0.31	3.25	4.19	3.63	2.63	2.63	0.22 x 0.44	4.44	5.63	4.50	PFK5	FG2*/FGF2
100	PH100MGJ	A	0.83/0.42	3.25	4.69	3.63	2.63	2.63	0.22 x 0.44	4.50	6.13	5.20	PFK5	FG2*/FGF2
150	PH150MGJ	B	1.25/0.63	4.00	5.44	3.81	3.38	2.75	0.22 x 0.75	4.50	6.94	7.60	PFK6	FG3
250	PH250MGJ	B	2.08/1.04	4.50	4.88	4.44	3.75	3.75	0.22 x 0.75	5.18	6.38	8.30	PFK6	FG4
350	PH350MGJ	B	2.92/1.46	4.50	5.56	4.44	3.75	3.75	0.22 x 0.75	5.18	7.06	11.0	PFK7	FG4
500	PH500MGJ	B	4.17/2.08	4.75	6.69	4.31	4.06	4.50	0.31 x 0.94	5.13	8.19	16.3	PFK7	FG4
750	PH750MGJ	B	6.25/3.13	5.25	6.81	4.94	4.50	4.44	0.31 x 0.81	5.56	8.31	23.6	PFK7	FG5
1000	PH1000MGJ	B	8.33/4.17	5.25	7.25	4.94	4.50	4.83	0.31 x 0.81	5.56	9.69	25.5	PFK7	FG5

Secondary fuse clips, fuse clip mounting screws and primary and secondary voltage links/jumpers supplied standard with transformers.

All dimensions in inches

*Note: Unfused finger guard kits are marked with an asterisk, for more information refer to page 43. Refer to page 73 for wiring schematic drawings. Custom voltages and VA sizes available upon request.

Field Installed Fuse Kits

Standard Secondary Fuse Kits (Field Installed)

All HPS Imperator control transformers are supplied with standard secondary fuse kits which include: 13/32" x 1 1/2" midget/type CC fuse clips, fuse clip mounting screws, primary and secondary voltage links and the PHAK1 instruction sheet (note: secondary fuse clips and fuse clip mounting screws are not supplied on the PH750PG, PH1000PG, PH750MLI, and PH1000MLI).

Optional Primary Fuse Kits (Field Installed)

All HPS Imperator series machine tool industrial control transformers up to and including 1500VA are available with the following optional primary fuse kits:

Kit Part Number	Applicable Transformer Part Number Suffix's	Applicable VA Sizes	Parts Included in Kit
PFK1	Refer to Specification Tables on Pages 36 to 41 for Optional Primary Fuse Kit P/N		4 fuse clips, 4 mtg. screws, PHAK1 instruction sheet
PFK2			4 fuse clips, 4 mtg. screws, PHAK1 instruction sheet
PFK3			4 fuse clips, 4 mtg. screws, PHAK1 instruction sheet
PFK4			4 fuse clips, 4 mtg. screws, 1 jumper, 1 finger guard, PHAK1 instruction sheet
PFK5			4 fuse clips, 4 mtg. screws, 1 jumper, 1 finger guard, PHAK1 instruction sheet
PFK6			4 fuse clips, 4 mtg. screws, 1 jumper wire, PHAK1 instruction sheet
PFK7			4 fuse clips, 4 mtg. screws, 1 jumper wire, PHAK1 instruction sheet

Note: Maximum allowable current rating on all primary and secondary fuse kits is 30 amps.

Factory Installed Fuse Kits

Factory Installed Primary and Secondary Fuse Kits

HPS now stocks some HPS Imperator series voltage groups with FACTORY INSTALLED primary and secondary fuse clips. To order, just add the suffix "-FK" to the end of the standard part number.

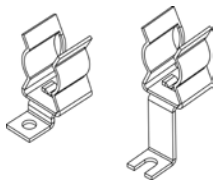
Factory installed fusing only available on units up to 1500VA. The voltage groups that are stocked are:

Group C (p/n: PH*MQMJ-FK) | Group G (p/n: PH***PG-FK) | Group I (p/n: PH***MLI-FK)**

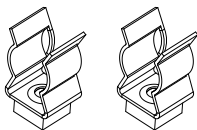
On PH750PG-FK, PH1000PG-FK, PH750MLI-FK, and PH1000MLI-FK, only primary fuse clips are included on factory installed units. Secondary fuse clips are not included or available on these units.

Other voltage groups available with factory installed fuse kits. Please contact your HPS sales or customer service representative for details.

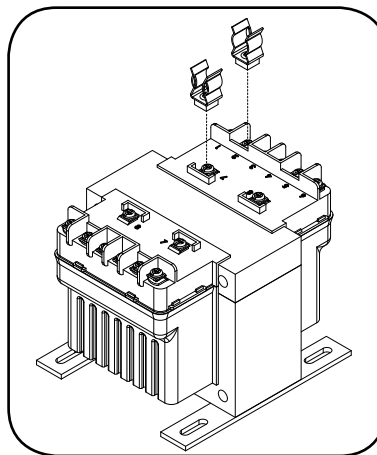
Note: All factory installed fuse kits are pre-wired at the transformers highest primary voltage and the lowest secondary voltage. To hook up at a different primary or secondary voltage, please refer to the wiring instruction sheet included with the transformer.



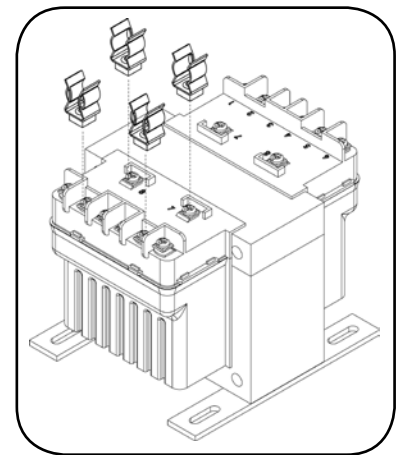
Sample Accessory Drawing for Fuse Clips
(for 50, 75 and 100VA)



Sample Accessory Drawing for Fuse Clips
(for 150VA to 1500VA)



Sample Assembly Drawing for Secondary Fuse Clip Installation
(For 150VA to 1500VA)



Sample Assembly Drawing for Primary Fuse Clip Installation
(For 150VA to 1500VA)

Note: HPS Imperator primary and secondary fuse kits are not suitable for branch circuit applications!

Optional Accessories

Finger Guards

The HPS Imperator line of machine tool industrial molded control transformers are available with the following optional finger guard kits:

Optional Unfused Finger Guard Kits

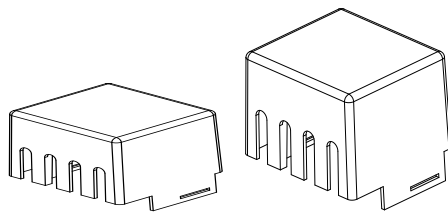
Kit Part Number	Applicable Transformer Part Number Suffixes	Applicable VA Sizes
FG1	AJ, AR, MQMJ, MEMX, QR, SP, PG, PP	50
FG2	MBMH, MGJ, MLI	50
FG2	All	75
FG2	All (excluding PH100MBMH) Refer to FG3, FG4 or FG5 below	100 150 to 1500

Note: Each finger guard kit supplies either the primary or secondary side.
Included in the kit: 1 finger guard (unfused) and PHAK1 instruction sheet

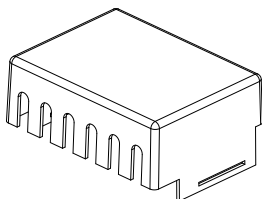
Optional Fused Finger Guard Kits

Kit Part Number	Applicable Transformer Part Number Suffixes	Applicable VA Sizes	Parts Included in Kit
FGF1	AJ, AR, MQMJ, MEMX, QR, SP, PG, PP	50	1 finger guard (fused), PHAK1 instruction sheet
FGF2	MBMH, MGJ, MLI	50	1 finger guard (fused), PHAK1 instruction sheet
FGF2	All	75	1 finger guard (fused), PHAK1 instruction sheet
FGF2	All (excluding PH100MBMH)	100	1 finger guard (fused), PHAK1 instruction sheet
FG3	MBMH	100	1 finger guard, PHAK1 instruction sheet
FG3	All	150	1 finger guard, PHAK1 instruction sheet
FG3	AJ, AR, MQMJ, MEMX, QR, SP, PG, PP	250	1 finger guard, PHAK1 instruction sheet
FG4	MBMH, MGJ, MLI	250	1 finger guard, PHAK1 instruction sheet
FG4	All	350, 500	1 finger guard, PHAK1 instruction sheet
FG4	AJ, AR, MQMJ, QR, SP, PP	750	1 finger guard, PHAK1 instruction sheet
FG5	MBMH, MEMX, MGJ, MLI, PG	750	1 finger guard, PHAK1 instruction sheet
FG5	All	1000, 1500	1 finger guard, PHAK1 instruction sheet

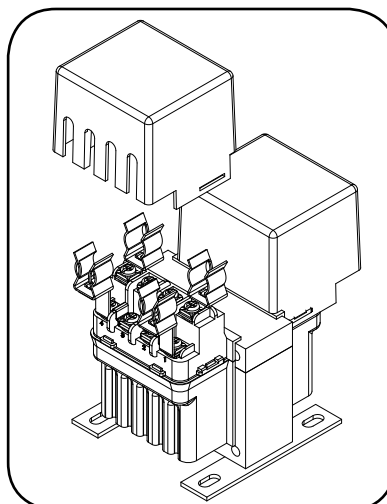
Note: Each finger guard kit supplies either the primary or secondary side.



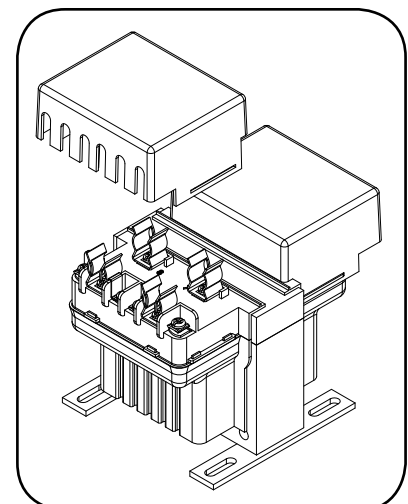
Sample Accessory Drawing for Fused & Unfused Finger Guards
(for 50, 75 and 100VA)



Sample Accessory Drawing for Finger Guards
(for 150VA and 1500VA)



Sample Assembly Drawing for Finger Guard Installation
(For 50, 75 and 100VA)



Sample Assembly Drawing for Finger Guard Installation
(For 150VA to 1500VA)

HPS Spartan® Industrial Open-Style Control Transformer

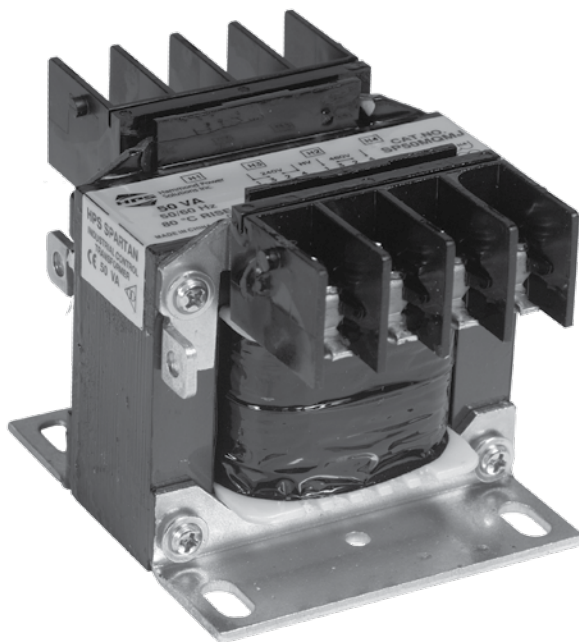
The Economical Solution

The HPS Spartan® line of industrial control transformers are ideally suited for general purpose, industrial and light duty loads. Designed for applications where high inrush or machine tool duty are not necessary, the HPS Spartan industrial open-style control transformer offers an efficient and economical solution. These units are well suited for HVAC applications, signal and alarm systems, motor control circuits, lighting and circuit isolation.

The HPS Spartan control transformer is an open style unit with molded terminal blocks up to 3000 VA or 30 amps. Optional Finger guards and a fuse block adapter kit are available upon request.

For an economical approach to control transformers, the HPS Spartan is the transformer of choice.

SECTION 1



STANDARDS		
The HPS Spartan Control Transformers meet or exceed the standards established by UL, CSA, IEC and NEMA.		
Standard	File #	VA Size
UL (ANSI/UL506)	E50394	All
CSA	LR3902	All
IEC 61558		All
NEMA (ST-1)		All



INDUSTRIAL OPEN-STYLE CONTROL TRANSFORMER SELECTION

Selecting a control transformer requires that you have first hand knowledge of the application for the transformer and that you understand some basic terms related to the selection process. By using the following information, you will be sure to select the HPS Spartan® control transformer which best meets your application.

The HPS Spartan line of industrial control transformers are ideally suited for general purpose, industrial and light duty loads. Designed for applications where inrush requirements are not as high.

To select the proper transformer, three characteristics of the load circuit must first be determined. They are total steady-state (sealed) VA, total inrush VA, and inrush load power factor.

(A) The total steady state “sealed” VA is the amount of VA that the transformer must supply to the load circuit for an extended length of time. Simply add the total steady-state VA of all devices in your control circuit. The operating VA data of these components is available from the manufacturers.

(B) The total inrush VA is the amount of VA that the transformer must supply for all components in the control circuit which are energized together. Some consideration to the start-up sequence may be required. Inrush VA should be obtained from the device manufacturer.

(C) The inrush load power factor is difficult to determine without detailed vector analysis of all the control circuit components. Such information is not generally available. Therefore, HPS is recommending that a 40% power factor be utilized. Although some other control transformer manufacturers still recommend a power factor of only 20%, HPS, through recent tests conducted on many popular brands of control devices, has determined that the 40% power factor value is more accurate.

Once the above circuit variables have been determined, transformer selection is a six step process.

SIX EASY STEPS

1. Determine what your Primary (supply) and Secondary (output) voltage requirements are, as well as your required frequency (i.e. 60 Hz)
2. Calculate the Total Sealed VA of your circuit. (See Step A)
3. Calculate the Inrush VA by adding the inrush VA of all components being energized together. Remember to add the sealed VA of all components that do not have inrush VA, (lamps, timers etc.) as they present a load to the transformer during maximum inrush. If the inrush for the components in your circuit are not known, assume a 40% Inrush Power Factor.
4. Calculate the Total Inrush VA using one of the two methods:

A.
$$\frac{\text{Total Inrush VA} = (\text{VA sealed})^2 + (\text{VA inrush})^2}{\sqrt{\quad}}$$

OR

B.
$$\text{Total Inrush VA} = \text{VA Sealed} + \text{VA Inrush}$$

Note: method B will result in a slightly larger transformer being selected.

For VA sealed definition please refer to 1 (A).
For VA inrush definition please refer to 1 (B).

5. If the nominal supply voltage does not fluctuate more than 5%, then reference the 90% secondary voltage column in the Regulation Data Table for the correct VA rating.

If the supply voltage varies upwards of 10%, the 95% secondary voltage column should be used to size the transformer.

Current standards require electromagnetic devices to operate reliably at a minimum of 85% of their rated voltage. However, contact life may be affected with continuous start-ups at that voltage level. Therefore, the minimum 85% secondary voltage column should only be used as a reference.

6. Using the regulation data tables below, select the appropriate VA rated transformer:

A) With a continuous VA rating that is equal to or greater than the value in Step 2.

B) With a maximum inrush VA equal to or greater than the value obtained in Step 4.

To determine the correct HPS transformer and its catalog part number, just refer to the tables in this catalog for the voltage ratings, frequency and corresponding VA required.

**HPS SPARTAN® TRANSFORMERS
REGULATION DATA TABLE**

Continuous VA Transformer Nameplate Rating	Inrush VA @ 40% Power Factor		
	85% Secondary Voltage	90% Secondary Voltage	95% Secondary Voltage
50	177	139	102
100	350	275	203
150	715	554	400
250	1653	1264	895
350	2604	1947	1321
500	4004	3023	2090
750	6933	5088	3352
1000	10087	7340	4764
1500	14178	10232	6508
2000	17604	12669	8080
3000	39213	27539	16780
5000	68344	47498	28803

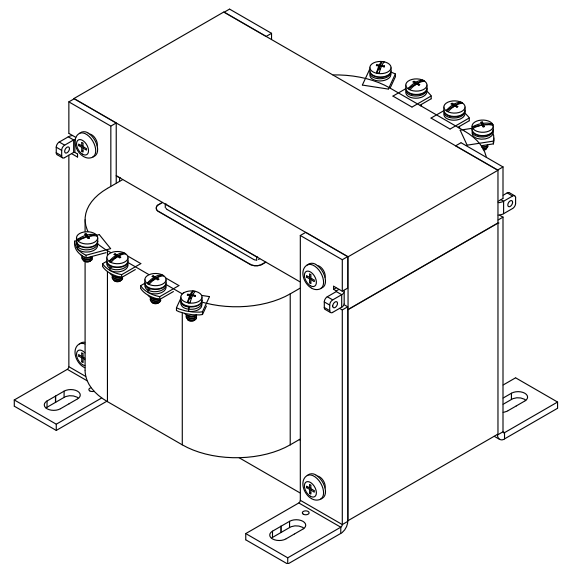
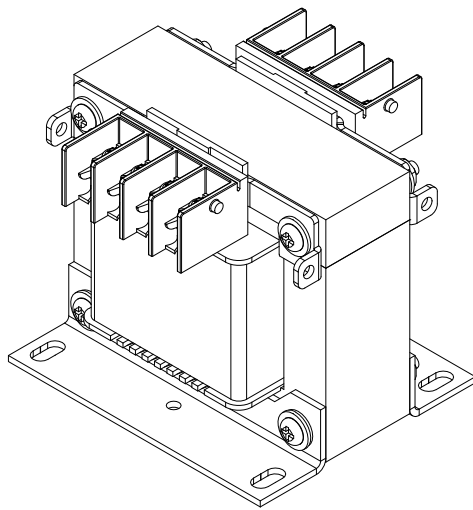
It is recommended that a control transformer be sized at a 40% Power Factor. Some components in a circuit, such as electromagnetic devices, typically operate at that level due to their inherently lower power factor. Selecting a transformer at 40% Power Factor will more than adequately size the unit for all the various loads in the circuit.



Features and Benefits

- Multi-voltage primary and secondary models increase range of application per unit
- Standard molded terminal blocks or primary and secondary up to 3000VA (30A) units
- Solid terminal block with standard combination screw connection
- 50/60 Hz (60 Hz on SP***ACP and SP***AR)
- Copper wound coils with high dielectric strength insulation
- Bolted core construction
- Bolt-on mounting brackets
- Vacuum Impregnated with Polyester Resin and oven cured
- Seismically certified in accordance with IBC 2009; Section 1613 Earthquake Loads, for $S_{DS} \leq 2.00g$, $z/h = 1.0$, and $I_p = 1.5$
- Superior insulating materials. The HPS Spartan series transformers offer the following insulation systems:
 - 130°C (80°C rise) up to 1500 VA
 - 180°C (115°C rise) 2000 VA to 5000 VA
- All units supplied with primary and secondary voltage links/jumpers
- Optional finger guards available¹
- Optional fuse block adapter kit available¹
- Supplied with trilingual installation and wiring instruction sheets
- "Premium Packaging"¹ which feature:
 - Premium fluted cartons
 - Custom molded foam inserts
 - Easy removal and repacking
 - Industry's best box label
- **15 year warranty**

¹ up to and including 3000VA or 30 amps



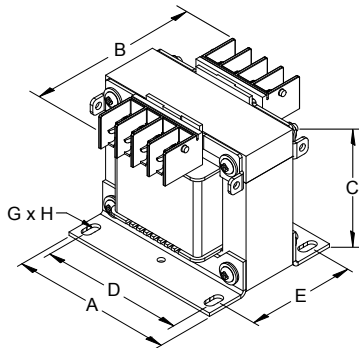


FIGURE A

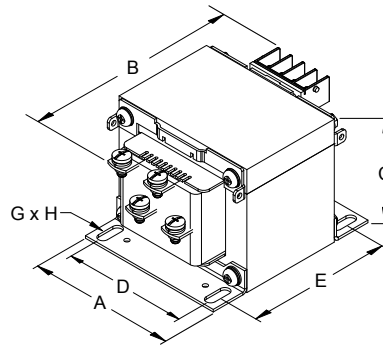


FIGURE B

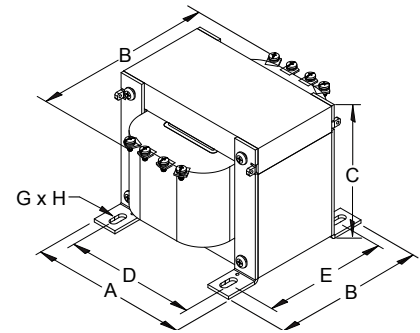


FIGURE C

Group A

Primary Voltage: 600/480 || 575/460 || 550/440
 Secondary Voltage: 120 X 240 || 115 X 230 || 110 X 220



VA Rating	CE VA Rating	Catalog Number	Mtg. Fig.	Output Amps	Overall Dimensions			Mounting Centers		Mounting Slot G X H	Height with Finger Guard	Height with Fuse Block Adapter	Approx. Ship Weight Lbs.
					A	B	C	D	E				
50	50	SP50ACP	A	0.42/0.21	2.60	3.82	2.60	2.13	2.64	0.22 x 0.44	2.98	2.79	2.2
100	100	SP100ACP	A	0.83/0.42	2.99	3.74	2.85	2.52	2.60	0.22 x 0.44	3.23	3.04	3.3
150	150	SP150ACP	A	1.25/0.63	2.99	4.29	2.85	2.52	3.15	0.22 x 0.44	3.23	3.04	4.4
250	160	SP250ACP	A	2.08/1.04	3.78	4.09	3.40	3.31	2.99	0.22 x 0.44	3.78	3.59	6.4
350	250	SP350ACP	A	2.92/1.46	3.78	4.49	3.40	3.31	3.39	0.22 x 0.44	3.78	3.59	7.5
500	300	SP500ACP	A	4.17/2.08	4.49	4.69	3.78	3.78	3.66	0.31 x 0.81	4.16	3.97	11
750	500	SP750ACP	A	6.25/3.13	5.25	5.08 ¹	4.37	4.50	4.06	0.31 x 0.81	4.75	4.56	18
1000	650	SP1000ACP	A	8.33/4.17	5.25	5.47 ¹	4.37	4.50	4.45	0.31 x 0.81	4.75	4.56	21
1500	1000	SP1500ACP	A	12.5/6.25	5.25	6.85 ¹	4.37	4.50	5.83	0.31 x 0.81	4.56	4.37	28
2000	1300	SP2000ACP	A	16.7/8.33	6.38	5.87 ¹	5.31	5.75	4.84	0.31 x 0.81	5.69	5.50	34
3000	2000	SP3000ACP	A	25.0/12.5	7.50	7.50	6.50	6.30	6.85	0.44 x 1.00	6.50	6.50	60
5000	3000	SP5000ACP	C	41.7/20.8	8.98	9.88	7.76	7.40	7.13	0.44 x 1.00	N/A	N/A	93

Primary and Secondary voltage links/jumpers supplied standard with all transformers.
 Refer to page 74 for wiring schematic drawing. Custom voltages and VA sizes available upon request.
¹ Note: For 750 through 2000 VA units actual overall depth is 0.24" plus the value in column B.

All dimensions in inches

Group B

Primary Voltage: 600 || 575 || 550
 Secondary Voltage: 12 X 24 || 11.5 X 23 || 11 X 22



VA Rating	CE VA Rating	Catalog Number	Mtg. Fig.	Output Amps	Overall Dimensions			Mounting Centers		Mounting Slot G X H	Height with Finger Guard	Height with Fuse Block Adapter	Approx. Ship Weight Lbs.
					A	B	C	D	E				
50	50	SP50AR	A	4.17/2.08	2.60	3.23	2.60	2.13	2.05	0.22 x 0.44	2.98	2.79	1.5
100	100	SP100AR	A	8.33/4.17	2.99	3.74	2.85	2.52	2.60	0.22 x 0.44	3.23	3.04	3.3
150	150	SP150AR	A	12.5/6.25	2.99	4.09	2.85	2.52	2.95	0.22 x 0.44	3.23	3.04	3.9
250	160	SP250AR	A	20.8/10.4	3.78	3.70	3.40	3.31	2.60	0.22 x 0.44	3.78	3.59	5.2
350	250	SP350AR	A	29.2/14.6	3.78	4.29	3.40	3.31	3.19	0.22 x 0.44	3.78	3.59	7.1
500	300	SP500AR	B	41.7/20.8	4.49	5.08	3.78	3.78	3.27	0.31 x 0.81	4.16	3.97	9.9

Primary and Secondary voltage links/jumpers supplied standard with all transformers.
 Refer to page 74 for wiring schematic drawing. Custom voltages and VA sizes available upon request.

All dimensions in inches

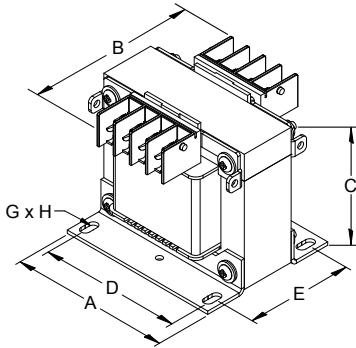


FIGURE A

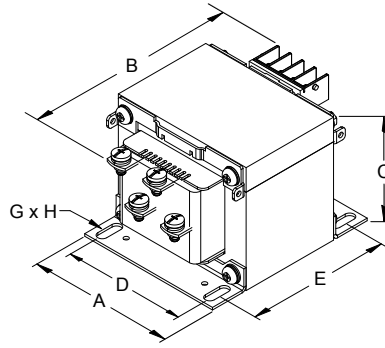


FIGURE B

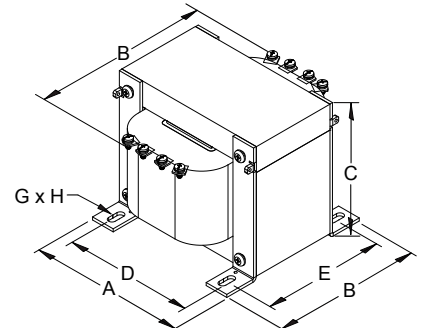


FIGURE C

Group C

Primary Voltage: 240 X 480 || 230 X 460 || 220 X 440
 Secondary Voltage: 120 X 240 || 115 X 230 || 110 X 220



VA Rating	CE VA Rating	Catalog Number	Mtg. Fig.	Output Amps	Overall Dimensions			Mounting Centers		Mounting Slot G X H	Height with Finger Guard	Height with Fuse Block Adapter	Approx. Ship Weight Lbs.
					A	B	C	D	E				
50	50	SP50MQMJ	A	0.42/0.21	2.60	3.35	2.60	2.13	2.17	0.22 x 0.44	2.98	2.79	1.7
100	100	SP100MQMJ	A	0.83/0.42	2.99	3.74	2.85	2.52	2.60	0.22 x 0.44	3.23	3.04	3
150	150	SP150MQMJ	A	1.25/0.63	2.99	4.29	2.85	2.52	3.15	0.22 x 0.44	3.23	3.04	4.3
250	160	SP250MQMJ	A	2.08/1.04	3.78	4.09	3.40	3.31	2.99	0.22 x 0.44	3.78	3.59	6.5
350	250	SP350MQMJ	A	2.92/1.46	3.78	4.69	3.40	3.31	3.58	0.22 x 0.44	3.78	3.59	8.2
500	300	SP500MQMJ	A	4.17/2.08	4.49	4.69	3.78	3.78	3.66	0.31 x 0.81	4.16	3.97	11
750	500	SP750MQMJ	A	6.25/3.13	5.25	4.69 ¹	4.37	4.50	3.66	0.31 x 0.81	4.75	4.56	16
1000	650	SP1000MQMJ	A	8.33/4.17	5.25	5.47 ¹	4.37	4.50	4.45	0.31 x 0.81	4.75	4.56	21
1500	1000	SP1500MQMJ	A	12.5/6.25	5.25	6.85 ¹	4.37	4.50	5.83	0.31 x 0.81	4.75	4.56	28
2000	1300	SP2000MQMJ	A	16.7/8.33	6.38	5.87 ¹	5.31	5.75	4.84	0.31 x 0.81	5.50	5.31	35
3000	2000	SP3000MQMJ	A	25.0/12.5	7.50	7.50	6.50	6.30	7.28	0.44 x 1.00	6.50	6.50	64
5000	3000	SP5000MQMJ	C	41.7/20.8	8.98	9.88	7.76	7.40	7.28	0.44 x 1.00	N/A	N/A	97

Primary and Secondary voltage links/jumpers supplied standard with all transformers. All dimensions in inches
 Refer to page 75 for wiring schematic drawing. Custom voltages and VA sizes available upon request.
¹ Note: For 750 through 2000 VA units actual overall depth is 0.24" plus the value in column B.

Group D

Primary Voltage: 240 X 480 || 230 X 460 || 220 X 440
 Secondary Voltage: 12 X 24 || 11.5 X 23 || 11 X 22



VA Rating	CE VA Rating	Catalog Number	Mtg. Fig.	Output Amps	Overall Dimensions			Mounting Centers		Mounting Slot G X H	Height with Finger Guard	Height with Fuse Block Adapter	Approx. Ship Weight Lbs.
					A	B	C	D	E				
50	50	SP50QR	A	4.17/2.08	2.60	3.35	2.60	2.13	2.17	0.22 x 0.44	2.98	2.79	1.7
100	100	SP100QR	A	8.33/4.17	2.99	3.54	2.85	2.52	2.40	0.22 x 0.44	3.23	3.04	3
150	150	SP150QR	A	12.5/6.25	2.99	4.29	2.85	2.52	3.15	0.22 x 0.44	3.23	3.04	4.3
250	160	SP250QR	A	20.8/10.4	3.78	4.09	3.40	3.31	2.99	0.22 x 0.44	3.78	3.59	6.5
350	250	SP350QR	A	29.2/14.6	3.78	4.69	3.40	3.31	3.58	0.22 x 0.44	3.78	3.59	8.3
500	300	SP500QR	B	41.7/20.8	4.49	5.47	3.78	3.78	3.66	0.31 x 0.81	4.16	3.97	11

Primary and Secondary voltage links/jumpers supplied standard with all transformers. All dimensions in inches
 Refer to page 75 for wiring schematic drawing. Custom voltages and VA sizes available upon request.



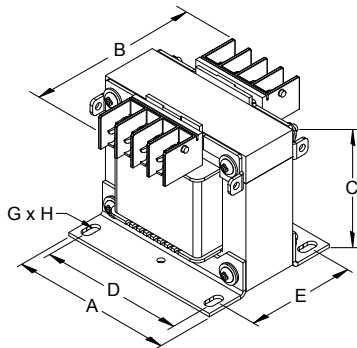


FIGURE A

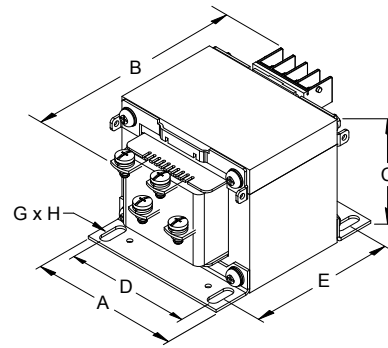


FIGURE B

Group E

Primary Voltage: 380/347
Secondary Voltage: 120 X 240



VA Rating	CE VA Rating	Catalog Number	Mtg. Fig.	Output Amps	Overall Dimensions			Mounting Centers		Mounting Slot	Height with Finger Guard	Height with Fuse Block Adapter	Approx. Ship Weight Lbs.
					A	B	C	D	E	G X H			
50	50	SP50KHP	A	0.42/0.21	2.60	3.35	2.60	2.13	2.17	0.22 x 0.44	2.98	2.79	1.7
100	100	SP100KHP	A	0.83/0.42	2.99	3.74	2.85	2.52	2.60	0.22 x 0.44	3.23	3.04	3.4
150	150	SP150KHP	A	1.25/0.63	2.99	4.29	2.85	2.52	3.15	0.22 x 0.44	3.23	3.04	4.4
250	160	SP250KHP	A	2.08/1.04	3.78	4.09	3.40	3.31	2.99	0.22 x 0.44	3.78	3.59	6.7
350	250	SP350KHP	A	2.92/1.46	3.78	4.69	3.40	3.31	3.58	0.22 x 0.44	3.78	3.59	8.4
500	300	SP500KHP	A	4.17/2.08	4.49	4.69	3.78	3.78	3.66	0.31 x 0.81	4.16	3.97	12
750	500	SP750KHP	A	6.25/3.13	5.25	4.69 ¹	4.37	4.50	3.66	0.31 x 0.81	4.75	4.56	17
1000	650	SP1000KHP	A	8.33/4.17	5.25	5.47 ¹	4.37	4.50	4.45	0.31 x 0.81	4.75	4.56	21
1500	1000	SP1500KHP	A	12.5/6.25	6.38	4.88 ¹	5.31	5.75	3.86	0.31 x 0.81	5.69	5.31	29

Primary and Secondary voltage links/jumpers supplied standard with all transformers.
 Refer to page 76 for wiring schematic drawing. Custom voltages and VA sizes available upon request.
¹ Note: For 750 through 1500 VA units actual overall depth is 0.24" plus the value in column B.

All dimensions in inches

Group F

Primary Voltage: 380/347
Secondary Voltage: 12 X 24



VA Rating	CE VA Rating	Catalog Number	Mtg. Fig.	Output Amps	Overall Dimensions			Mounting Centers		Mounting Slot	Height with Finger Guard	Height with Fuse Block Adapter	Approx. Ship Weight Lbs.
					A	B	C	D	E	G X H			
50	50	SP50KHR	A	4.17/2.08	2.60	3.35	2.60	2.13	2.17	0.22 x 0.44	2.98	2.79	1.7
100	100	SP100KHR	A	8.33/4.17	2.99	3.74	2.85	2.52	2.60	0.22 x 0.44	3.23	3.04	3.3
150	150	SP150KHR	A	12.5/6.25	2.99	4.29	2.85	2.52	3.15	0.22 x 0.44	3.23	3.04	4.4
250	160	SP250KHR	A	20.8/10.4	3.78	4.09	3.40	3.31	2.99	0.22 x 0.44	3.78	3.59	6.4
350	250	SP350KHR	A	29.2/14.6	3.78	4.69	3.40	3.31	3.58	0.22 x 0.44	3.78	3.59	8.1
500	300	SP500KHR	B	41.7/20.8	4.49	5.47	3.78	3.78	3.66	0.31 x 0.81	4.16	3.97	11

Primary and Secondary voltage links/jumpers supplied standard with all transformers.
 Refer to page 76 for wiring schematic drawing. Custom voltages and VA sizes available upon request.

All dimensions in inches

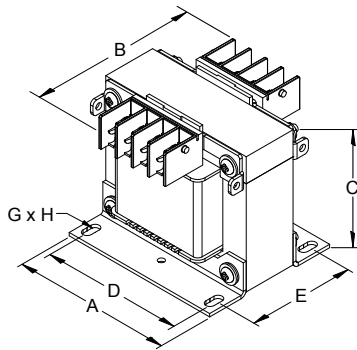


FIGURE A

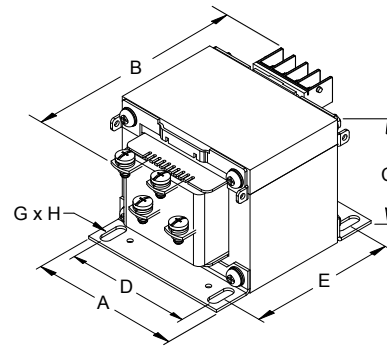


FIGURE B

Group G

Primary Voltage: 277
Secondary Voltage: 120




50/60 Hertz

VA Rating	CE VA Rating	Catalog Number	Mtg. Fig.	Output Amps	Overall Dimensions			Mounting Centers		Mounting Slot	Height with Finger Guard	Height with Fuse Block Adapter	Approx. Ship Weight Lbs.
					A	B	C	D	E	G X H			
50	50	SP50NJ	A	0.42	2.60	3.35	2.60	2.13	2.17	0.22 x 0.44	2.98	2.79	1.6
100	100	SP100NJ	A	0.83	2.99	3.54	2.85	2.52	2.40	0.22 x 0.44	3.23	3.04	3.2
150	150	SP150NJ	A	1.25	2.99	4.29	2.85	2.52	3.15	0.22 x 0.44	3.23	3.04	4.3
250	160	SP250NJ	A	2.08	3.78	4.09	3.40	3.31	2.99	0.22 x 0.44	3.78	3.59	6.4
350	250	SP350NJ	A	2.92	3.78	4.69	3.40	3.31	3.58	0.22 x 0.44	3.78	3.59	8.1
500	300	SP500NJ	A	4.17	4.49	4.69	3.78	3.78	3.66	0.31 x 0.81	4.16	3.97	11
750	500	SP750NJ	A	6.25	5.25	5.08 ¹	4.37	4.50	4.06	0.31 x 0.81	4.75	4.56	18
1000	650	SP1000NJ	A	8.33	5.25	5.47 ¹	4.37	4.50	4.45	0.31 x 0.81	4.75	4.56	20
1500	1000	SP1500NJ	A	12.50	5.25	6.85 ¹	4.37	4.50	5.83	0.31 x 0.81	4.75	4.56	29

Primary and Secondary voltage links/jumpers supplied standard with all transformers. All dimensions in inches
 Refer to page 77 for wiring schematic drawing. Custom voltages and VA sizes available upon request.
¹ Note: For 750 through 1500 VA units actual overall depth is 0.24" plus the value in column B.

Group H

Primary Voltage: 120 X 240 || 115 X 230 || 110 X 220
Secondary Voltage: 12 X 24 || 11.5 X 23 || 11 X 22




50/60 Hertz

VA Rating	CE VA Rating	Catalog Number	Mtg. Fig.	Output Amps	Overall Dimensions			Mounting Centers		Mounting Slot	Height with Finger Guard	Height with Fuse Block Adapter	Approx. Ship Weight Lbs.
					A	B	C	D	E	G X H			
50	50	SP50PR	A	4.17/2.08	2.60	3.35	2.60	2.13	2.17	0.22 x 0.44	2.98	2.79	1.7
100	100	SP100PR	A	8.33/4.17	2.99	3.74	2.85	2.52	2.60	0.22 x 0.44	3.23	3.04	3
150	150	SP150PR	A	12.5/6.25	2.99	4.29	2.85	2.52	3.15	0.22 x 0.44	3.23	3.04	4.3
250	160	SP250PR	A	20.8/10.4	3.78	3.90	3.40	3.31	2.80	0.22 x 0.44	3.78	3.59	5.9
350	250	SP350PR	A	29.2/14.6	3.78	4.69	3.40	3.31	3.58	0.22 x 0.44	3.78	3.59	8.2
500	300	SP500PR	B	41.7/20.8	4.49	5.47	3.78	3.78	3.66	0.31 x 0.81	4.16	3.97	11

Primary and Secondary voltage links/jumpers supplied standard with all transformers. All dimensions in inches
 Refer to page 77 for wiring schematic drawing. Custom voltages and VA sizes available upon request.

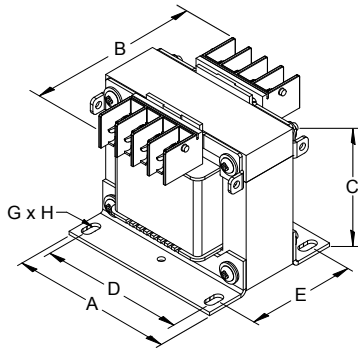


FIGURE A

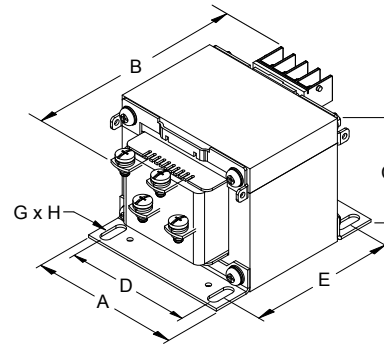


FIGURE B

Group I

Primary Voltage: **208 X 416** || 200 X 400 || 190 X 380
 Secondary Voltage: **120 X 240** || 115 X 230 || 110 X 220



VA Rating	CE VA Rating	Catalog Number	Mtg. Fig.	Output Amps	Overall Dimensions			Mounting Centers		Mounting Slot	Height with Finger Guard	Height with Fuse Block Adapter	Approx. Ship Weight Lbs.
					A	B	C	D	E	G X H			
50	50	SP50SP	A	0.42/0.21	2.60	3.35	2.60	2.13	2.17	0.22 x 0.44	2.98	2.60	1.6
100	100	SP100SP	A	0.83/0.42	2.99	3.54	2.85	2.52	2.40	0.22 x 0.44	3.23	2.85	3
150	150	SP150SP	A	1.25/0.63	2.99	4.29	2.85	2.52	3.15	0.22 x 0.44	3.23	2.85	4.3
250	160	SP250SP	A	2.08/1.04	3.78	4.09	3.40	3.31	2.99	0.22 x 0.44	3.78	3.40	6.5
350	250	SP350SP	A	2.92/1.46	3.78	4.69	3.40	3.31	3.58	0.22 x 0.44	3.78	3.40	8.3
500	300	SP500SP	A	4.17/2.08	4.49	4.69	3.78	3.78	3.66	0.31 x 0.81	4.16	3.78	11
750	500	SP750SP	A	6.25/3.13	5.25	4.69 ¹	4.37	4.50	3.66	0.31 x 0.81	4.75	4.75	16
1000	650	SP1000SP	A	8.33/4.17	5.25	5.47 ¹	4.37	4.50	4.45	0.31 x 0.81	4.75	4.75	20
1500	1000	SP1500SP	A	12.5/6.25	6.38	4.88 ¹	5.31	5.75	3.86	0.31 x 0.81	4.75	5.69	27

Primary and Secondary voltage links/jumpers supplied standard with all transformers.
 Refer to page 78 for wiring schematic drawing. Custom voltages and VA sizes available upon request.
¹ Note: For 750 through 1500 VA units actual overall depth is 0.24" plus the value in column B.

All dimensions in inches

Group J

Primary Voltage: **208 X 416** || 200 X 400 || 190 X 380
 Secondary Voltage: **12 X 24** || 11.5 X 23 || 11 X 22



VA Rating	CE VA Rating	Catalog Number	Mtg. Fig.	Output Amps	Overall Dimensions			Mounting Centers		Mounting Slot	Height with Finger Guard	Height with Fuse Block Adapter	Approx. Ship Weight Lbs.
					A	B	C	D	E	G X H			
50	50	SP50SR	A	4.17/2.08	2.60	3.35	2.60	2.13	2.17	0.22 x 0.44	2.98	2.79	1.6
100	100	SP100SR	A	8.33/4.17	2.99	3.54	2.85	2.52	2.40	0.22 x 0.44	3.23	3.04	3.1
150	150	SP150SR	A	12.5/6.25	2.99	4.29	2.85	2.52	3.15	0.22 x 0.44	3.23	3.04	4.3
250	160	SP250SR	A	20.8/10.4	3.78	4.09	3.40	3.31	2.99	0.22 x 0.44	3.78	3.59	6.5
350	250	SP350SR	A	29.2/14.6	3.78	4.69	3.40	3.31	3.58	0.22 x 0.44	3.78	3.59	8.3
500	300	SP500SR	B	41.7/20.8	4.49	5.47	3.78	3.78	3.66	0.31 x 0.81	4.16	3.97	11

Primary and Secondary voltage links/jumpers supplied standard with all transformers.
 Refer to page 78 for wiring schematic drawing. Custom voltages and VA sizes available upon request.

All dimensions in inches

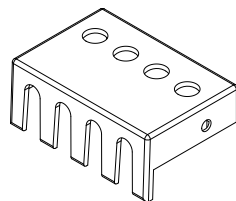
Optional Accessories

Finger Guards

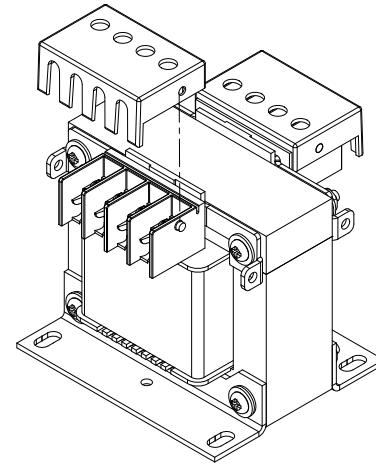
HPS Spartan industrial control transformers up to and including 3000VA or 30 amps are available with optional finger guards.

Part Number	Applicable Transformer Part Number Suffixes	Applicable VA Sizes
SPFG1	AR, QR, PR, KHR, SR	50 to 350
SPFG1	KHP, SP, NJ	50 to 1500
SPFG1	ACP, MQMJ	50 to 3000

Note: Each finger guard supplies either the primary or secondary side. Finger guard option not available on SP5000ACP and SP5000MQMJ standard units. Add 0.38" per finger guard to overall depth (column B) on units from 50 VA to 500 VA and 0.31" to units from 750 VA to 2000 VA when finger guard has been installed. For custom units, optional finger guards are only available on units up to 3000VA or 30 amps.



Finger Guard
(Optional)



Sample Assembly Drawing for Optional Finger Guard Installation
(Only available for units supplied with either a primary or secondary molded terminal block)

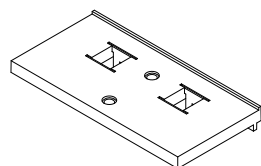
Fuse Block Adapter Kit

HPS Spartan industrial control transformers up to and including 3000VA or 30 amps are available with optional fuse block adapter kits. The Fuse Block Adapter Kit is designed to allow for the installation of any third party after market fuse block assembly onto the industrial control transformer. The transformer must be a unit that incorporates a molded terminal block on either the primary or secondary side.

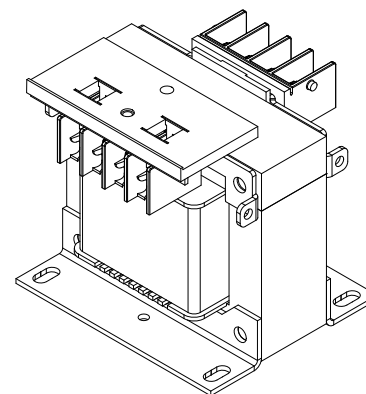
Note: HPS does not provide any jumpers or appropriate fuses for any after market fuse block you install on the HPS Spartan industrial control transformer. The HPS fuse block adapter kit provides only the mechanical means of attaching a third party after market fuse block. HPS does not recommend any specific fuse block or fuse supplier. For a recommended size of fuse, please see page # 30.

Kit Part Number	Applicable Transformer Part Number Suffixes	Applicable VA Sizes
SPFBAK1	AR, QR, PR, KHR, SR	50 to 500
SPFBAK1	KHP, SP, NJ	50 to 1500
SPFBAK1	ACP, MQMJ	50 to 3000

Note: Only 1 fuse block adapter kit is required per transformer. Fuse block adapter kit not available on SP5000ACP and SP5000MQMJ standard units. Add 0.38" per fuse block adapter to overall depth (column B) on units from 750 VA to 3000 VA when optional fuse block adapter is installed. For custom units, optional fuse block adapter kit is only available on units up to 3000VA or 30 amps.



Fuse Block Adapter Kit
(Optional)



Sample Assembly Drawing for Optional Fuse Block Adapter Installation

For detailed installation instructions of HPS Spartan transformers or the optional finger guards and fuse block adapter kits, please visit our website under Products - Product Links - Instruction Sheets. Or go to the following link: <http://www.hammondpowersolutions.com/instruction-sheets/>

HPS Fusion™ General Purpose Enclosed Transformer

The Ideal Solution

The HPS Fusion™ line of single phase, general purpose enclosed transformers are ideally suited for general purpose, industrial and light duty loads. They have been designed for indoor applications and offer an efficient and economical solution. These units are well suited for HVAC applications, signal and alarm systems, motor control circuits, lighting and circuit isolation. The HPS Fusion control transformer is an enclosed style unit with either molded terminal blocks (on units up to 3000 VA or 30 amps) or coil face termination. Optional Finger guards and a fuse block adapter kit are available upon request. For an economical approach to general purpose loads, the HPS Fusion is the transformer of choice.

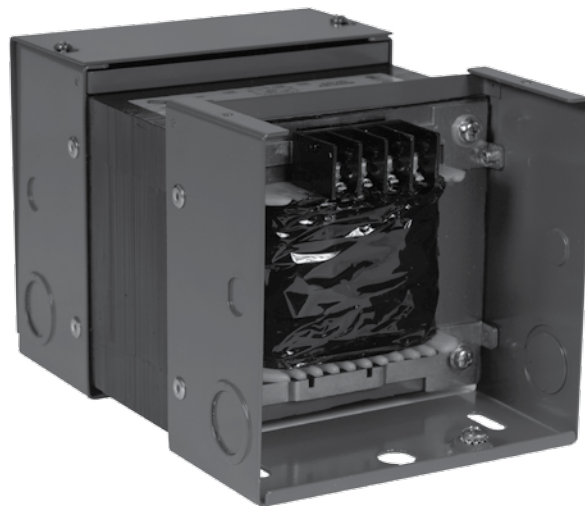


STANDARDS		
The HPS Fusion Control Transformers meet or exceed the standards established by UL, CSA, IEC and NEMA.		
Standard	File #	VA Size
UL (ANSI/UL506)	E50394	All
CSA	LR3902	All
IEC 61558		All
NEMA (ST-1)		All



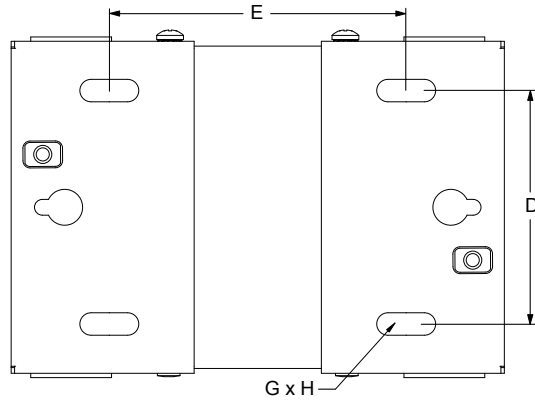
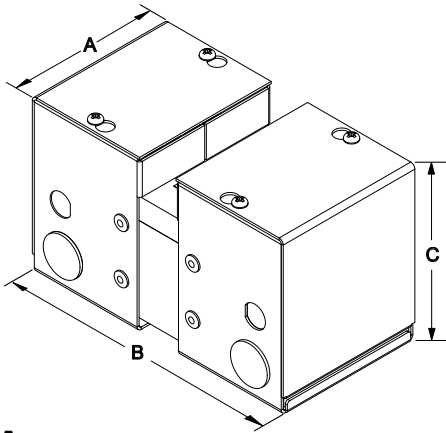
Features and Benefits

- Multi-voltage primary and secondary models increase range of applications per unit.
- Standard molded terminal blocks on primary and secondary up to 3000 VA (30A) units.
- Solid terminal block with standard combination screw connections.
- 50/60 Hz (60 Hz on FS***ACP and FS***AR).
- Copper wound coils with high dielectric strength insulation.
- Bolted core construction.
- Vacuum Impregnated with Polyester Resin and oven cured.
- Superior insulating materials:
 - 130°C (95°C rise) 50 VA to 1500 VA
 - 180°C (115°C rise) 2000 VA to 5000 VA
(Note: Temperature rise based on 25°C ambient)
- All units supplied with primary and secondary voltage links/jumpers.
- Rugged TYPE 1 enclosure with split side covers provides easy access to wiring compartment.
- Finish - green powder coat.
- Primary and secondary ground lug.
- Four (0.88") wiring knockouts and four (0.50") accessory knockouts.
- Optional panel mount fuse holder.
- Easy mounting and installation via four mounting slots and two keyhole slots.
- Most HPS Fusion units incorporate "Premium Packaging" which feature:
 - Premium fluted cartons
 - Custom molded foam inserts
 - Easy removal and repacking
 - Industry's best box label
 - Environmentally neutral
- **15 Year Warranty.**



SECTION 1

GENERAL PURPOSE ENCLOSED



Group A

Primary Voltage: 600/480 || 575/460 || 550/440
Secondary Voltage: 120 X 240 || 115 X 230 || 110 X 220



60 Hertz

VA Rating	CE VA Rating	Catalog Number	Output Amps	Overall Dimensions			Mounting Centers		Mounting Slot	Approx. Ship Weight Lbs.
				A	B	C	D	E	G X H	
50	50	FS50ACP	0.42/0.21	2.7	6.4	3.33	1.66	4.16	0.22 x 0.44	3.0
100	100	FS100ACP	0.83/0.42	3.09	6.3	3.6	2.05	3.5	0.22 x 0.44	4.2
150	150	FS150ACP	1.25/0.63	3.09	6.9	3.6	2.05	4.1	0.22 x 0.44	5.3
250	160	FS250ACP	2.08/1.04	3.9	6.6	4.3	2.52	3.9	0.22 x 0.44	7.6
350	250	FS350ACP	2.92/1.46	3.9	7	4.3	2.52	4.3	0.22 x 0.44	8.7
500	300	FS500ACP	4.17/2.08	4.6	7.2	4.6	3.3	4.5	0.31 x 0.81	13.3
750	500	FS750ACP	6.25/3.13	5.6	7.6	5.1	4	4.9	0.31 x 0.81	20.3
1000	650	FS1000ACP	8.33/4.17	5.6	8	5.1	4	5.3	0.31 x 0.81	22.9
1500	1000	FS1500ACP	12.5/6.25	5.6	9.4	5.1	4	6.7	0.31 x 0.81	30.3
2000	1300	FS2000ACP	16.7/8.33	6.6	9.1	6	5.1	5.7	0.31 x 0.81	37.1
3000	2000	FS3000ACP	25.0/12.5	7.8	11.3	6.7	6.3	6.9	0.31 x 0.81	64.0
5000	3000	FS5000ACP	41.7/20.8	9.3	14.9	8	7.1	7.3	0.31 x 0.81	99.7

Primary and Secondary voltage links/jumpers supplied standard with all transformers. Refer to page 74 for wiring schematic drawing. Custom voltages and VA sizes available upon request.

All dimensions in inches

Group B

Primary Voltage: 600 || 575 || 550
Secondary Voltage: 12 X 24 || 11.5 X 23 || 11 X 22



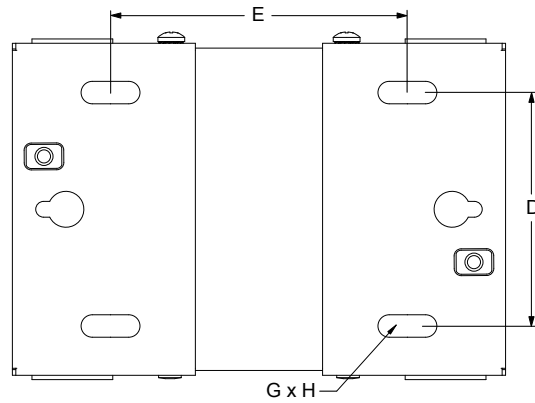
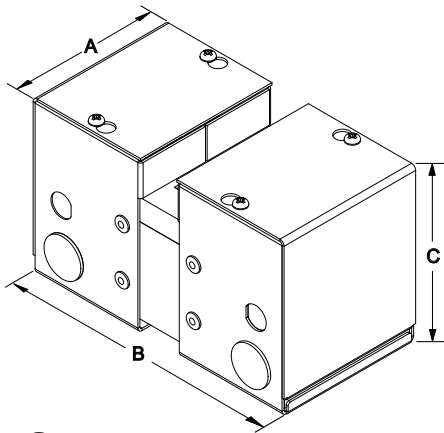
60 Hertz

VA Rating	CE VA Rating	Catalog Number	Output Amps	Overall Dimensions			Mounting Centers		Mounting Slot	Approx. Ship Weight Lbs.
				A	B	C	D	E	G X H	
50	50	FS50AR	4.17/2.08	2.7	5.8	3.33	1.66	3.58	0.22 x 0.44	2.3
100	100	FS100AR	8.33/4.17	3.09	6.3	3.6	2.05	3.5	0.22 x 0.44	4.2
150	150	FS150AR	12.5/6.25	3.09	6.7	3.6	2.05	3.9	0.22 x 0.44	4.8
250	160	FS250AR	20.8/10.4	3.9	6.2	4.3	2.52	3.5	0.22 x 0.44	6.4
350	250	FS350AR	29.2/14.6	3.9	6.8	4.3	2.52	4.1	0.22 x 0.44	8.3
500	300	FS500AR	41.7/20.8	4.6	6.8	4.1	3.3	4.5	0.31 x 0.81	11.8

Primary and Secondary voltage links/jumpers supplied standard with all transformers. Refer to page 74 for wiring schematic drawing. Custom voltages and VA sizes available upon request.

All dimensions in inches





SECTION 1

Group C

Primary Voltage: 240 X 480 || 230 X 460 || 220 X 440
Secondary Voltage: 120 X 240 || 115 X 230 || 110 X 220




50/60 Hertz

VA Rating	CE VA Rating	Catalog Number	Output Amps	Overall Dimensions			Mounting Centers		Mounting Slot	Approx. Ship Weight Lbs.
				A	B	C	D	E	G X H	
50	50	FS50MQMJ	0.42/0.21	2.7	5.9	3.33	1.66	3.69	0.22 x 0.44	2.5
100	100	FS100MQMJ	0.83/0.42	3.09	6.3	3.6	2.05	3.5	0.22 x 0.44	3.9
150	150	FS150MQMJ	1.25/0.63	3.09	6.9	3.6	2.05	4.1	0.22 x 0.44	5.2
250	160	FS250MQMJ	2.08/1.04	3.9	6.6	4.3	2.52	3.9	0.22 x 0.44	7.7
350	250	FS350MQMJ	2.92/1.46	3.9	7.2	4.3	2.52	4.9	0.22 x 0.44	9.4
500	300	FS500MQMJ	4.17/2.08	4.6	7.2	4.6	3.3	4.5	0.31 x 0.81	13.2
750	500	FS750MQMJ	6.25/3.13	5.6	7.2	5.1	4	4.5	0.31 x 0.81	18.0
1000	650	FS1000MQMJ	8.33/4.17	5.6	8	5.1	4	5.3	0.31 x 0.81	22.8
1500	1000	FS1500MQMJ	12.5/6.25	6.6	8.5	6	5.1	5.1	0.31 x 0.81	31.1
2000	1300	FS2000MQMJ	16.7/8.33	6.6	9.1	6	5.1	5.7	0.31 x 0.81	38.1
3000	2000	FS3000MQMJ	25.0/12.5	7.8	11.7	6.7	6.3	7.3	0.31 x 0.81	68.5
5000	3000	FS5000MQMJ	41.7/20.8	9.3	15.1	8	7.4	7.3	0.31 x 0.81	104.2

Primary and Secondary voltage links/jumpers supplied standard with all transformers.
 Refer to page 75 for wiring schematic drawing. Custom voltages and VA sizes available upon request.

All dimensions in inches

Group D

Primary Voltage: 240 X 480 || 230 X 460 || 220 X 440
Secondary Voltage: 12 X 24 || 11.5 X 23 || 11 X 22



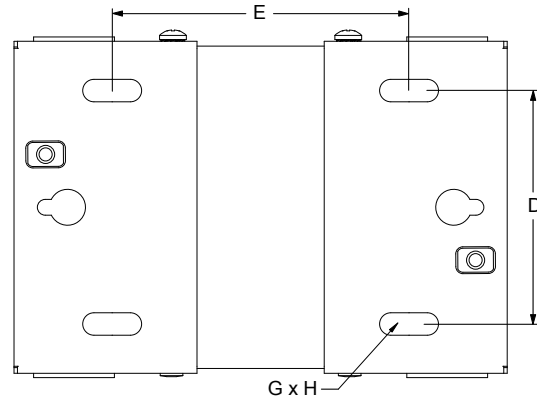
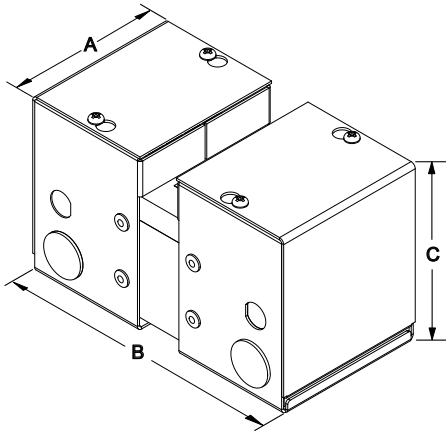

50/60 Hertz

VA Rating	CE VA Rating	Catalog Number	Output Amps	Overall Dimensions			Mounting Centers		Mounting Slot	Approx. Ship Weight Lbs.
				A	B	C	D	E	G X H	
50	50	FS50QR	4.17/2.08	2.7	5.9	3.33	1.66	3.69	0.22 x 0.44	2.5
100	100	FS100QR	8.33/4.17	3.09	6.1	3.6	2.05	3.35	0.22 x 0.44	3.9
150	150	FS150QR	12.5/6.25	3.09	6.9	3.6	2.05	4.1	0.22 x 0.44	5.2
250	160	FS250QR	20.8/10.4	3.9	6.6	4.3	2.52	3.9	0.22 x 0.44	7.7
350	250	FS350QR	29.2/14.6	3.9	7.2	4.3	2.52	4.9	0.22 x 0.44	9.5
500	300	FS500QR	41.7/20.8	4.6	7.2	4.6	3.3	4.5	0.31 x 0.81	13.4

Primary and Secondary voltage links/jumpers supplied standard with all transformers.
 Refer to page 75 for wiring schematic drawing. Custom voltages and VA sizes available upon request.

All dimensions in inches





Group E

Primary Voltage: 380/347
Secondary Voltage: 120 X 240




 50/60 Hertz

VA Rating	CE VA Rating	Catalog Number	Output Amps	Overall Dimensions			Mounting Centers		Mounting Slot	Approx. Ship Weight Lbs.
				A	B	C	D	E	G X H	
50	50	FS50KHP	0.42/0.21	2.7	5.9	3.33	1.66	3.69	0.22 x 0.44	2.5
100	100	FS100KHP	0.83/0.42	3.09	6.3	3.6	2.05	3.5	0.22 x 0.44	4.3
150	150	FS150KHP	1.25/0.63	3.09	6.9	3.6	2.05	4.1	0.22 x 0.44	5.3
250	160	FS250KHP	2.08/1.04	3.9	6.6	4.3	2.52	3.9	0.22 x 0.44	7.9
350	250	FS350KHP	2.92/1.46	3.9	7.2	4.3	2.52	4.9	0.22 x 0.44	9.6
500	300	FS500KHP	4.17/2.08	4.6	7.2	4.6	3.3	4.5	0.31 x 0.81	13.6
750	500	FS750KHP	6.25/3.13	5.6	7.2	5.1	4	4.5	0.31 x 0.81	19
1000	650	FS1000KHP	8.33/4.17	5.6	8	5.1	4	5.3	0.31 x 0.81	23.5
1500	1000	FS1500KHP	12.5/6.25	6.6	8.5	6	5.1	5.1	0.31 x 0.81	31.6

Primary and Secondary voltage links/jumpers supplied standard with all transformers. Refer to page 76 for wiring schematic drawing. Custom voltages and VA sizes available upon request.

All dimensions in inches

Group F

Primary Voltage: 380/347
Secondary Voltage: 12 X 24

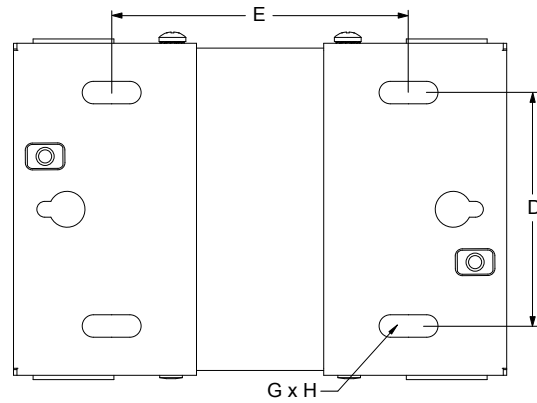
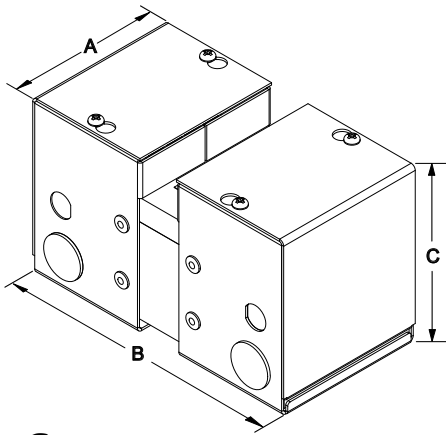



 50/60 Hertz

VA Rating	CE VA Rating	Catalog Number	Output Amps	Overall Dimensions			Mounting Centers		Mounting Slot	Approx. Ship Weight Lbs.
				A	B	C	D	E	G X H	
50	50	FS50KHR	4.17/2.08	2.7	5.9	3.33	1.66	3.69	0.22 x 0.44	2.5
100	100	FS100KHR	8.33/4.17	3.09	6.3	3.6	2.05	3.5	0.22 x 0.44	4.2
150	150	FS150KHR	12.5/6.25	3.09	6.9	3.6	2.05	4.1	0.22 x 0.44	5.3
250	160	FS250KHR	20.8/10.4	3.9	6.6	4.3	2.52	3.9	0.22 x 0.44	7.6
350	250	FS350KHR	29.2/14.6	3.9	7.2	4.3	2.52	4.9	0.22 x 0.44	9.3
500	300	FS500KHR	41.7/20.8	4.6	7.2	4.6	3.3	4.5	0.31 x 0.81	13.2

Primary and Secondary voltage links/jumpers supplied standard with all transformers. Refer to page 76 for wiring schematic drawing. Custom voltages and VA sizes available upon request.

All dimensions in inches



SECTION 1

Group G

Primary Voltage: 277
Secondary Voltage: 120




50/60 Hertz

VA Rating	CE VA Rating	Catalog Number	Output Amps	Overall Dimensions			Mounting Centers		Mounting Slot	Approx. Ship Weight Lbs.
				A	B	C	D	E	G X H	
50	50	FS50NJ	0.42	2.7	5.9	3.33	1.66	3.69	0.22 x 0.44	2.4
100	100	FS100NJ	0.83	3.09	6.1	3.6	2.05	3.35	0.22 x 0.44	4.1
150	150	FS150NJ	1.25	3.09	6.9	3.6	2.05	4.1	0.22 x 0.44	5.2
250	160	FS250NJ	2.08	3.9	6.6	4.3	2.52	3.9	0.22 x 0.44	7.6
350	250	FS350NJ	2.92	3.9	7.2	4.3	2.52	4.9	0.22 x 0.44	9.3
500	300	FS500NJ	4.17	4.6	7.2	4.6	3.3	4.5	0.31 x 0.81	13.3
750	500	FS750NJ	6.25	5.6	7.6	5.1	4	4.9	0.31 x 0.81	20.1
1000	650	FS1000NJ	8.33	5.6	8	5.1	4	5.3	0.31 x 0.81	22.8
1500	1000	FS1500NJ	12.50	5.6	9.4	5.1	4	6.7	0.31 x 0.81	31.1

Primary and Secondary voltage links/jumpers supplied standard with all transformers.
 Refer to page 77 for wiring schematic drawing. Custom voltages and VA sizes available upon request.

All dimensions in inches

Group H

Primary Voltage: 120 X 240 || 115 X 230 || 110 X 220
Secondary Voltage: 12 X 24 || 11.5 X 23 || 11 X 22



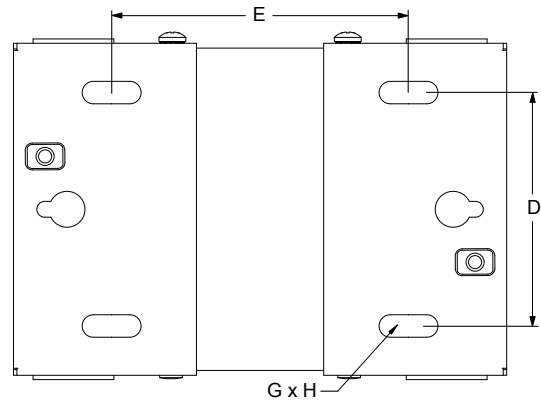
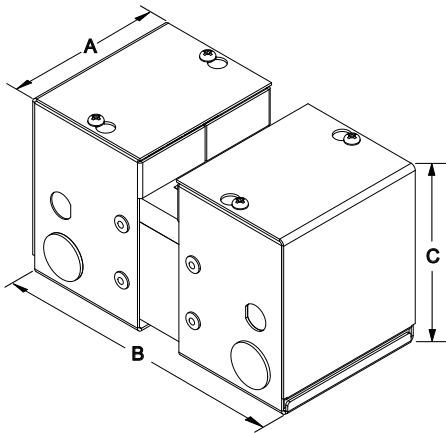

50/60 Hertz

VA Rating	CE VA Rating	Catalog Number	Output Amps	Overall Dimensions			Mounting Centers		Mounting Slot	Approx. Ship Weight Lbs.
				A	B	C	D	E	G X H	
50	50	FS50PR	4.17/2.08	2.7	5.9	3.33	1.66	3.69	0.22 x 0.44	2.5
100	100	FS100PR	8.33/4.17	3.09	6.1	3.6	2.05	3.35	0.22 x 0.44	3.9
150	150	FS150PR	12.5/6.25	3.09	6.9	3.6	2.05	4.1	0.22 x 0.44	5.2
250	160	FS250PR	20.8/10.4	3.9	6.4	4.3	2.52	3.7	0.22 x 0.44	7.1
350	250	FS350PR	29.2/14.6	3.9	7.2	4.3	2.52	4.9	0.22 x 0.44	9.4
500	300	FS500PR	41.7/20.8	4.6	7.2	4.6	3.3	4.5	0.31 x 0.81	13.2




Primary and Secondary voltage links/jumpers supplied standard with all transformers.
 Refer to page 77 for wiring schematic drawing. Custom voltages and VA sizes available upon request.

All dimensions in inches





Group I




Primary Voltage: 208 X 416 || 200 X 400 || 190 X 380    **50/60 Hertz**
Secondary Voltage: 120 X 240 || 115 X 230 || 110 X 220

VA Rating	CE VA Rating	Catalog Number	Output Amps	Overall Dimensions			Mounting Centers		Mounting Slot	Approx. Ship Weight Lbs.
				A	B	C	D	E	G X H	
50	50	FS50SP	0.42/0.21	2.7	5.9	3.33	1.66	3.69	0.22 x 0.44	2.4
100	100	FS100SP	0.83/0.42	3.09	6.1	3.6	2.05	3.35	0.22 x 0.44	3.9
150	150	FS150SP	1.25/0.63	3.09	6.9	3.6	2.05	4.1	0.22 x 0.44	5.2
250	160	FS250SP	2.08/1.04	3.9	6.6	4.3	2.52	3.9	0.22 x 0.44	7.7
350	250	FS350SP	2.92/1.46	3.9	7.2	4.3	2.52	4.9	0.22 x 0.44	9.5
500	300	FS500SP	4.17/2.08	4.6	7.2	4.6	3.3	4.5	0.31 x 0.81	13.3
750	500	FS750SP	6.25/3.13	5.6	7.2	5.1	4	4.5	0.31 x 0.81	18.2
1000	650	FS1000SP	8.33/4.17	5.6	8	5.1	4	5.3	0.31 x 0.81	22.5
1500	1000	FS1500SP	12.5/6.25	6.6	8.5	6	5.1	5.1	0.31 x 0.81	30.1

Primary and Secondary voltage links/jumpers supplied standard with all transformers.
Refer to page 78 for wiring schematic drawing. Custom voltages and VA sizes available upon request.

All dimensions in inches

Group J

Primary Voltage: 208 X 416 || 200 X 400 || 190 X 380    **50/60 Hertz**
Secondary Voltage: 12 X 24 || 11.5 X 23 || 11 X 22

VA Rating	CE VA Rating	Catalog Number	Output Amps	Overall Dimensions			Mounting Centers		Mounting Slot	Approx. Ship Weight Lbs.
				A	B	C	D	E	G X H	
50	50	FS50SR	4.17/2.08	2.7	5.9	3.33	1.66	3.69	0.22 x 0.44	2.4
100	100	FS100SR	8.33/4.17	3.09	6.1	3.6	2.05	3.35	0.22 x 0.44	4
150	150	FS150SR	12.5/6.25	3.09	6.9	3.6	2.05	4.1	0.22 x 0.44	5.2
250	160	FS250SR	20.8/10.4	3.9	6.6	4.3	2.52	3.9	0.22 x 0.44	7.7
350	250	FS350SR	29.2/14.6	3.9	7.2	4.3	2.52	4.9	0.22 x 0.44	9.5
500	300	FS500SR	41.7/20.8	4.6	7.2	4.6	3.3	4.5	0.31 x 0.81	13.3

Primary and Secondary voltage links/jumpers supplied standard with all transformers.
Refer to page 78 for wiring schematic drawing. Custom voltages and VA sizes available upon request.

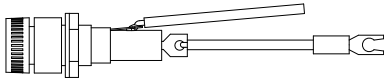
All dimensions in inches

Optional Accessories

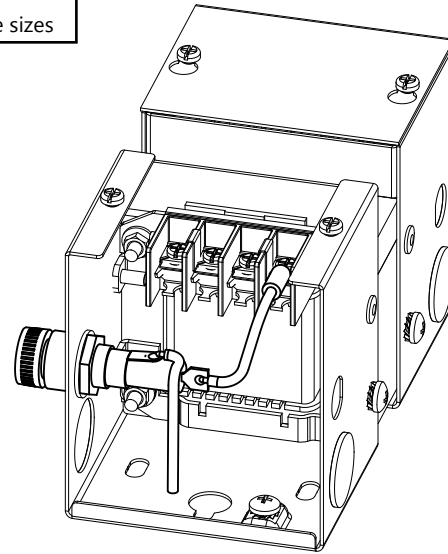
Fuse Holder Kit

- Optional fuse kit specifically designed up to 250 V (25A) units
- Supplied with leads for easy hook-up/installation
- Fuses NOT included in the kit (must be purchased)
- Fuses should be selected in accordance with CSA, UL and local electrical code

Part Number	Applicable Transformer Part Number Suffixes	Applicable Specifications
FSFH1	All	Up to 20 amps and 250V Designed to accept ¼" x 1 ¼" fuse sizes



Fuse Kit
(Optional)



**Sample Assembly Drawing for
Optional Fuse Kit Installation**

(Only available for units supplied with either a primary or secondary molded terminal block)

For detailed installation instructions of HPS Fusion transformers or the optional fuse kits, please visit our website under Products - Product Links - Instruction Sheets.

Or go to the following link: <http://www.hammondpowersolutions.com/instruction-sheets/>

SINGLE PHASE ENCLOSED ENCAPSULATED CONTROL TRANSFORMER FEATURES

For applications where a cost effective approach to general purpose loads indoor or outdoor is required, consider the 'Q' series, single phase encapsulated control transformer. These units are specifically designed for the following applications;

- General purpose enclosed control applications used to adjust a supply voltage to match a load requirement.
- Supplying machine tool circuits.
- Actuating relays, bells, signal and alarm systems.
- Operating small motors, valves and dampers.
- Industrial lighting and circuit isolation.

50 to 5000VA



SINGLE PHASE ENCLOSED ENCAPSULATED CONTROL STANDARD SPECIFICATIONS

	50 to 5000VA	Benefits
UL Listed	File: E50394	Assures long life and reliable performance. Rugged one-piece assembly with low noise provides optimum performance and reliability. Provides enhanced voltage regulation, excellent thermal characteristics and compliments modern winding techniques. Completely encloses the core and coil to seal out moisture, airborne contaminants and eliminates corrosion & insulation deterioration. Meets the heavy industrial trade requirements for indoor/outdoor enclosed transformers. Ample space for transformer connection for primary and secondary terminations. Facilitates any installation requirement.
CSA Certified	File: LR3902	
Frequency	60 Hertz	
Insulation System	130°C (80°C rise) up to 1 kVA 180°C (115°C rise) 1.5 kVA to 5kVA	
Standard Design	Single Phase, all welded core construction made with high quality, high permeability silicon steel laminations. Computer designed coils, accurately wound with optimum mean turns made from high quality magnetic wire with insulation film.	
Encapsulation	All units from 50VA to 5kVA are encapsulated with electrical grade silica sand and resin compounds.	
Enclosure Type	Heavy Duty Type 3R (conduit knockouts on sides and rear)	
Termination	Front accessible wiring compartment with high and low voltage copper lead wires or tabs.	
Mounting	Designed for vertical or horizontal mounting.	

SINGLE PHASE, NEMA 3R STYLE ENCLOSURE



600 Primary Volts

12/24 Secondary Volts

60 Hz

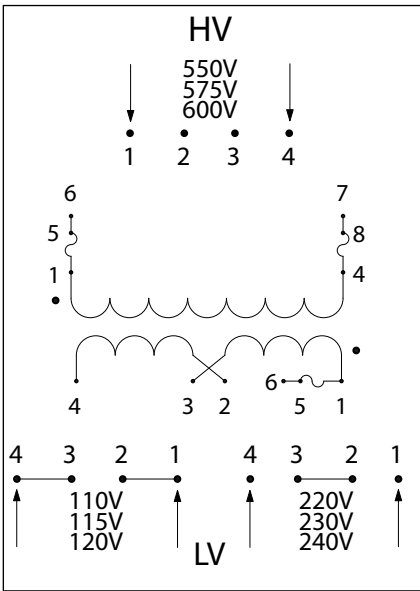
VA Rating	Catalog Number	Case Style (Page 228)	Approx. Dimensions (Inches)			Approx. Weight (Lbs.)	Mtg Type W - Wall	Wiring Diagram (Page 240)
			Width	Depth	Height			
50	QC05PRCB	NQ0	3.69	5.06	7.19	6	W	SCD 4
100	QC10PRCB	NQ0	3.69	5.06	7.19	7	W	SCD 4
150	QC15PRCB	NQ0	3.69	5.06	7.19	8	W	SCD 4
200	QC20PRCB	NQ1	4.31	5.56	7.19	11	W	SCD 4
250	QC25PRCB	NQ1	4.31	5.56	7.19	13	W	SCD 4
350	QC35PRCB	NQ1	4.31	5.56	7.19	14	W	SCD 4
500	QC50PRCB	NQ2	5.06	4.56	9.30	15	W	SCD 4
750	QC75PRCB	NQ2	5.06	4.56	9.30	18	W	SCD 4
1000	Q1C0PRCB	NQ3	5.88	5.19	10.56	25	W	SCD 4
1500	Q1C5PRCF	NQ4	7.06	6.25	11.75	36	W	SCD 4
2000	Q002PRCF	NQ4	7.06	6.25	11.75	46	W	SCD 4
3000	Q003PRCF	NQ4	7.06	6.25	11.75	65	W	SCD 4
5000	Q005PRCF	NQ5	10.00	7.75	17.25	105	W	SCD 4

SECTION 1



HPS Imperator - Wiring Schematic Drawings

Group A



PH***AJ Schematic for 50, 75 and 100VA Units

High Voltage (HV) (Primary Volts)

600	575	550
600	575	550

Install Supplied Jumpers/ Links Between Terminals

None
None

Supply Lines Connect To

1, 4
6, 7

Install Fuse Clips To

Unfused
1-5, 4-8

Low Voltage (LV) (Secondary Volts)

120	115	110
240	230	220
120	115	110
240	230	220

Install Supplied Links Between Terminals

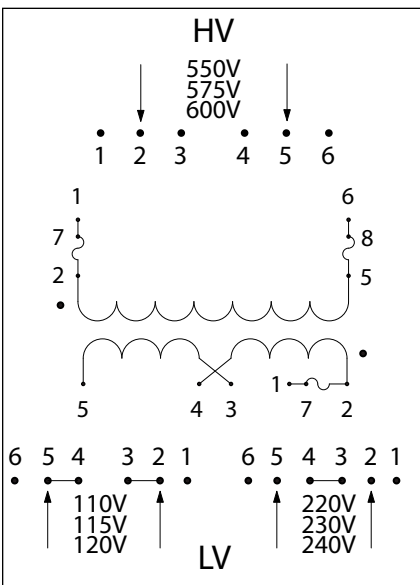
3-4, 1-2
2-3
3-4, 1-2
2-3

Load Lines Connect To

1, 4
1, 4
4, 6
4, 6

Install Fuse Clips To

Unfused
Unfused
1-5
1-5



PH***AJ Schematic for 150VA to 1500VA Units

High Voltage (HV) (Primary Volts)

600	575	550
600	575	550

Install Supplied Jumpers/ Links Between Terminals

None
None

Supply Lines Connect To

2, 5
1, 6

Install Fuse Clips To

Unfused
2-7, 5-8

Low Voltage (LV) (Secondary Volts)

120	115	110
240	230	220
120	115	110
240	230	220

Install Supplied Links Between Terminals

4-5, 2-3
3-4
4-5, 2-3
3-4

Load Lines Connect To

2, 5
2, 5
1, 5
1, 5

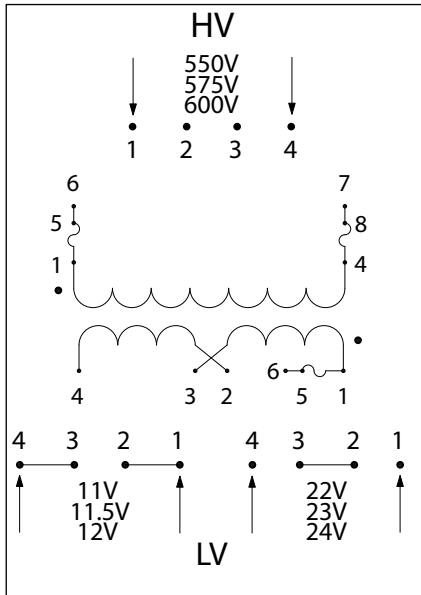
Install Fuse Clips To

Unfused
Unfused
2-7
2-7

HPS Imperator - Wiring Schematic Drawings continued

Group B

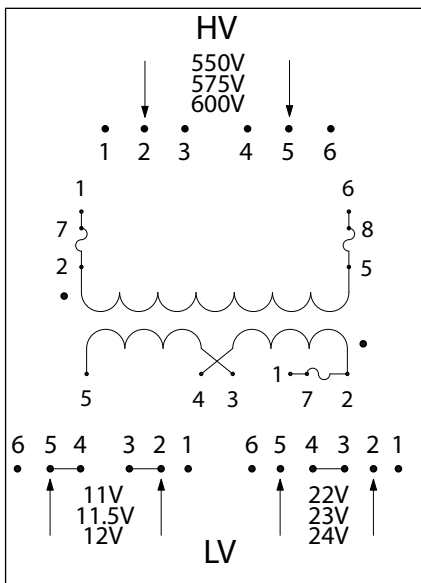
SECTION 1



PH*AR Schematic for 50, 75 and 100VA Units**

High Voltage (HV) (Primary Volts)	Install Supplied Jumpers/ Links Between Terminals	Supply Lines Connect To	Install Fuse Clips To
600 575 550	None	1, 4	Unfused
600 575 550	None	6, 7	1-5, 4-8

Low Voltage (LV) (Secondary Volts)	Install Supplied Links Between Terminals	Load Lines Connect To	Install Fuse Clips To
12 11.5 11	3-4, 1-2	1, 4	Unfused
24 23 22	2-3	1, 4	Unfused
12 11.5 11	3-4, 1-2	4, 6	1-5
24 23 22	2-3	4, 6	1-5



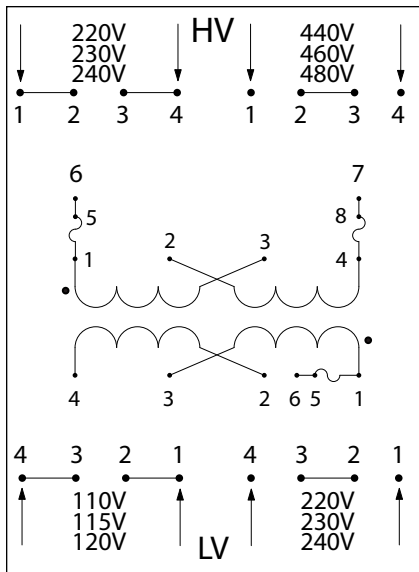
PH*AR Schematic for 150VA to 500VA Units**

High Voltage (HV) (Primary Volts)	Install Supplied Jumpers/ Links Between Terminals	Supply Lines Connect To	Install Fuse Clips To
600 575 550	None	2, 5	Unfused
600 575 550	None	1, 6	2-7, 5-8

Low Voltage (LV) (Secondary Volts)	Install Supplied Links Between Terminals	Load Lines Connect To	Install Fuse Clips To
12 11.5 11	4-5, 2-3	2, 5	Unfused
24 23 22	3-4	2, 5	Unfused
12 11.5 11	4-5, 2-3	1, 5	2-7
24 23 22	3-4	1, 5	2-7

HPS Imperator - Wiring Schematic Drawings continued

Group C



PH***MQMJ Schematic for 50, 75 and 100VA Units

High Voltage (HV) (Primary Volts)

240	230	220
480	460	440
240	230	220
480	460	440

Install Supplied Links Between Terminals

1-2, 3-4
2-3
1-2, 3-4
2-3

Supply Lines Connect To

1, 4
1, 4
6, 7
6, 7

Install Fuse Clips To

Unfused
Unfused
1-5, 4-8
1-5, 4-8

Low Voltage (LV) (Secondary Volts)

120	115	110
240	230	220
120	115	110
240	230	220

Install Supplied Links Between Terminals

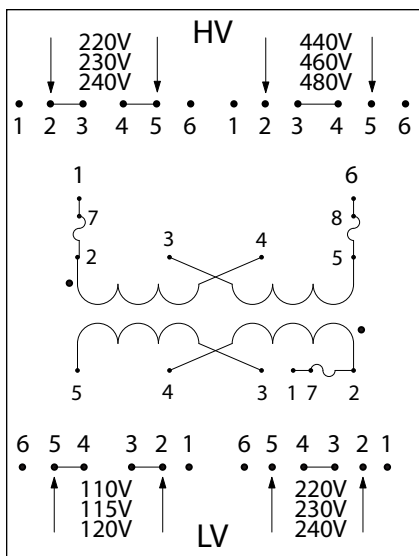
3-4, 1-2
2-3
3-4, 1-2
2-3

Load Lines Connect To

1, 4
1, 4
4, 6
4, 6

Install Fuse Clips To

Unfused
Unfused
1-5
1-5



PH***MQMJ Schematic for 150VA to 1500VA Units

High Voltage (HV) (Primary Volts)

240	230	220
480	460	440
240	230	220
480	460	440

Install Supplied Links Between Terminals

2-3, 4-5
3-4
2-3, 4-5
3-4

Supply Lines Connect To

2, 5
2, 5
1, 6
1, 6

Install Fuse Clips To

Unfused
Unfused
2-7, 5-8
2-7, 5-8

Low Voltage (LV) (Secondary Volts)

120	115	110
240	230	220
120	115	110
240	230	220

Install Supplied Links Between Terminals

4-5, 2-3
3-4
4-5, 2-3
3-4

Load Lines Connect To

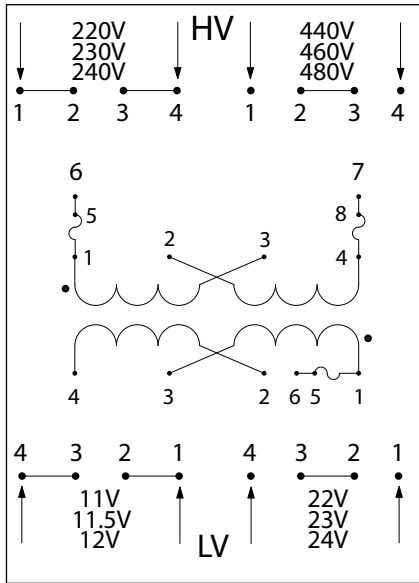
2, 5
2, 5
1, 5
1, 5

Install Fuse Clips To

Unfused
Unfused
2-7
2-7

HPS Imperator - Wiring Schematic Drawings continued

Group D



PH***QR Schematic for 50, 75 and 100VA Units

High Voltage (HV) (Primary Volts)

240	230	220
480	460	440
240	230	220
480	460	440

Install Supplied Links Between Terminals

1-2, 3-4
2-3
1-2, 3-4
2-3

Supply Lines Connect To

1, 4
1, 4
6, 7
6, 7

Install Fuse Clips To

Unfused
Unfused
1-5, 4-8
1-5, 4-8

Low Voltage (LV) (Secondary Volts)

12	11.5	11
24	23	22
12	11.5	11
24	23	22

Install Supplied Links Between Terminals

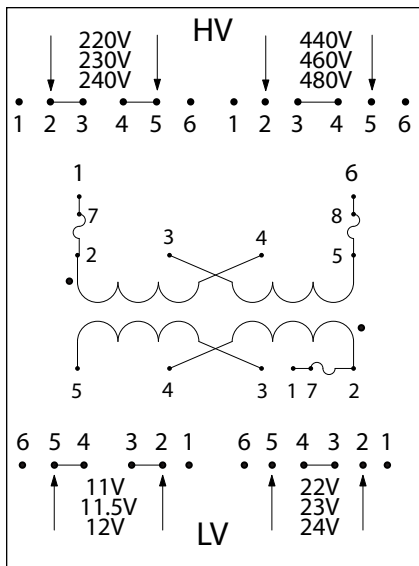
3-4, 1-2
2-3
3-4, 1-2
2-3

Load Lines Connect To

1, 4
1, 4
4, 6
4, 6

Install Fuse Clips To

Unfused
Unfused
1-5
1-5



PH***QR Schematic for 150VA to 500VA Units

High Voltage (HV) (Primary Volts)

240	230	220
480	460	440
240	230	220
480	460	440

Install Supplied Links Between Terminals

2-3, 4-5
3-4
2-3, 4-5
3-4

Supply Lines Connect To

2, 5
2, 5
1, 6
1, 6

Install Fuse Clips To

Unfused
Unfused
2-7, 5-8
2-7, 5-8

Low Voltage (LV) (Secondary Volts)

12	11.5	11
24	23	22
12	11.5	11
24	23	22

Install Supplied Links Between Terminals

4-5, 2-3
3-4
4-5, 2-3
3-4

Load Lines Connect To

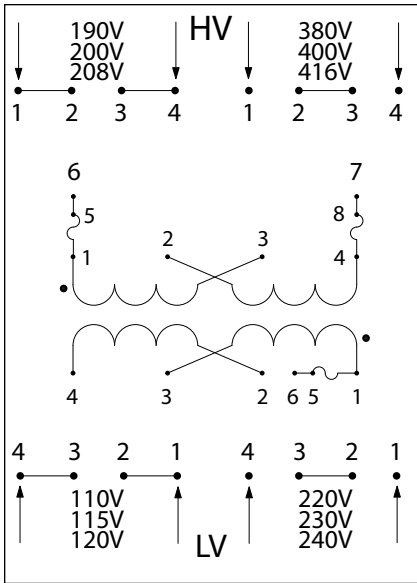
2, 5
2, 5
1, 5
1, 5

Install Fuse Clips To

Unfused
Unfused
2-7
2-7

HPS Imperator - Wiring Schematic Drawings continued

Group E



PH***SP Schematic for 50, 75 and 100VA Units

High Voltage (HV) (Primary Volts)

208	200	190
416	400	380
208	200	190
416	400	380

Install Supplied Links Between Terminals

1-2, 3-4
2-3
1-2, 3-4
2-3

Supply Lines Connect To

1, 4
1, 4
6, 7
6, 7

Install Fuse Clips To

Unfused
Unfused
1-5, 4-8
1-5, 4-8

Low Voltage (LV) (Secondary Volts)

120	115	110
240	230	220
120	115	110
240	230	220

Install Supplied Links Between Terminals

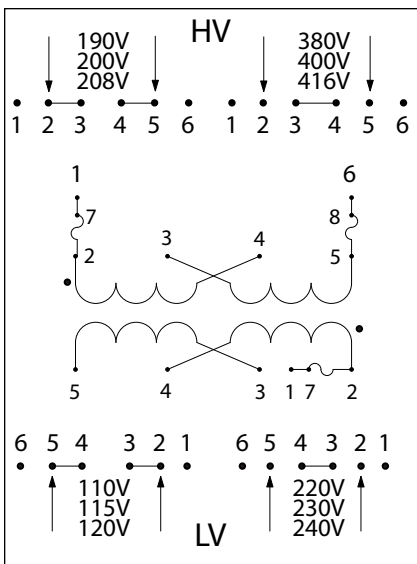
3-4, 1-2
2-3
3-4, 1-2
2-3

Load Lines Connect To

1, 4
1, 4
4, 6
4, 6

Install Fuse Clips To

Unfused
Unfused
1-5
1-5



PH***SP Schematic for 150VA to 1000VA Units

High Voltage (HV) (Primary Volts)

208	200	190
416	400	380
208	200	190
416	400	380

Install Supplied Links Between Terminals

2-3, 4-5
3-4
2-3, 4-5
3-4

Supply Lines Connect To

2, 5
2, 5
1, 6
1, 6

Install Fuse Clips To

Unfused
Unfused
2-7, 5-8
2-7, 5-8

Low Voltage (LV) (Secondary Volts)

120	115	110
240	230	220
120	115	110
240	230	220

Install Supplied Links Between Terminals

4-5, 2-3
3-4
4-5, 2-3
3-4

Load Lines Connect To

2, 5
2, 5
1, 5
1, 5

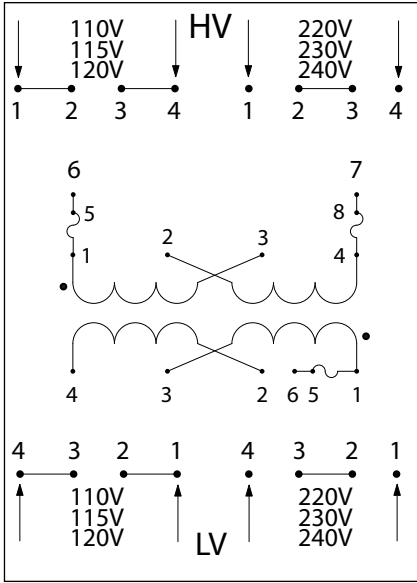
Install Fuse Clips To

Unfused
Unfused
2-7
2-7

HPS Imperator - Wiring Schematic Drawings continued

Group F

SECTION 1



PH***PP Schematic for 50, 75 and 100VA Units

High Voltage (HV) (Primary Volts)

120	115	110
240	230	220
120	115	110
240	230	220

Install Supplied Links Between Terminals

1-2, 3-4
2-3
1-2, 3-4
2-3

Supply Lines Connect To

1, 4
1, 4
6, 7
6, 7

Install Fuse Clips To

Unfused
Unfused
1-5, 4-8
1-5, 4-8

Low Voltage (LV) (Secondary Volts)

120	115	110
240	230	220
120	115	110
240	230	220

Install Supplied Links Between Terminals

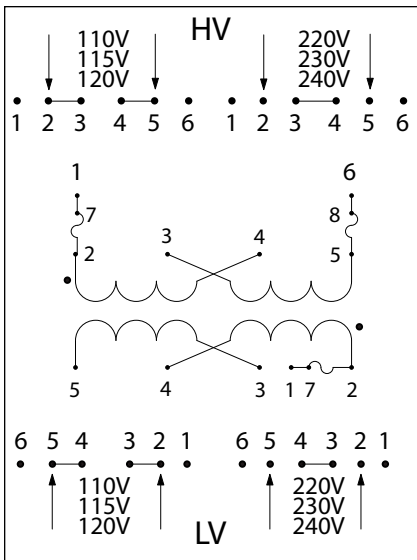
3-4, 1-2
2-3
3-4, 1-2
2-3

Load Lines Connect To

1, 4
1, 4
4, 6
4, 6

Install Fuse Clips To

Unfused
Unfused
1-5
1-5



PH***PP Schematic for 150VA to 1500VA Units

High Voltage (HV) (Primary Volts)

120	115	110
240	230	220
120	115	110
240	230	220

Install Supplied Links Between Terminals

2-3, 4-5
3-4
2-3, 4-5
3-4

Supply Lines Connect To

2, 5
2, 5
1, 6
1, 6

Install Fuse Clips To

Unfused
Unfused
2-7, 5-8
2-7, 5-8

Low Voltage (LV) (Secondary Volts)

120	115	110
240	230	220
120	115	110
240	230	220

Install Supplied Links Between Terminals

4-5, 2-3
3-4
4-5, 2-3
3-4

Load Lines Connect To

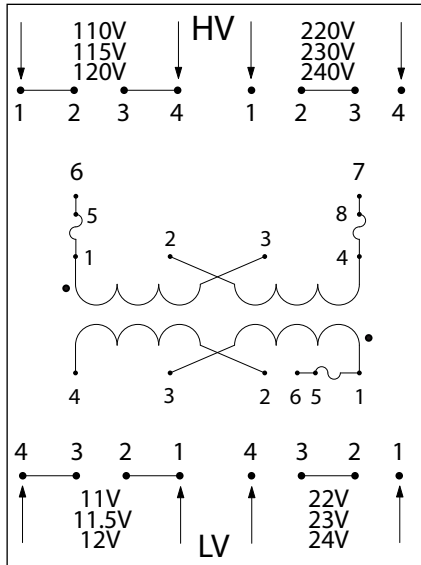
2, 5
2, 5
1, 5
1, 5

Install Fuse Clips To

Unfused
Unfused
2-7
2-7

HPS Imperator - Wiring Schematic Drawings continued

Group G



PH*PG Schematic for 50, 75 and 100VA Units**

**High Voltage (HV)
(Primary Volts)**

120	115	110
240	230	220
120	115	110
240	230	220

**Install Supplied Links
Between Terminals**

1-2, 3-4
2-3
1-2, 3-4
2-3

**Supply Lines
Connect To**

1, 4
1, 4
6, 7
6, 7

**Install Fuse
Clips To**

Unfused
Unfused
1-5, 4-8
1-5, 4-8

**Low Voltage (LV)
(Secondary Volts)**

12	11.5	11
24	23	22
12	11.5	11
24	23	22

**Install Supplied Links
Between Terminals**

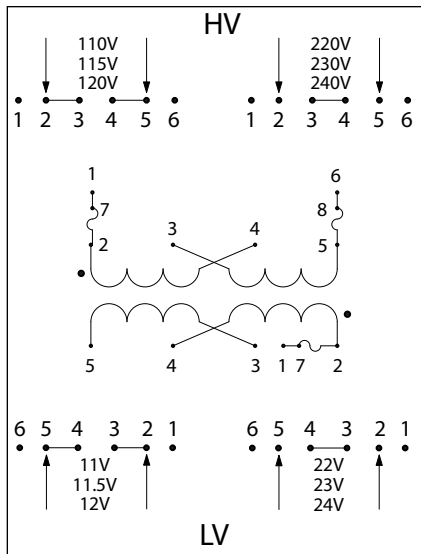
3-4, 1-2
2-3
3-4, 1-2
2-3

**Load Lines
Connect To**

1, 4
1, 4
4, 6
4, 6

**Install Fuse
Clips To**

Unfused
Unfused
1-5
1-5



PH*PG Schematic for 150VA to 500VA Units**

**High Voltage (HV)
(Primary Volts)**

120	115	110
240	230	220
120	115	110
240	230	220

**Install Supplied Links
Between Terminals**

2-3, 4-5
3-4
2-3, 4-5
3-4

**Supply Lines
Connect To**

2, 5
2, 5
1, 6
1, 6

**Install Fuse
Clips To**

Unfused
Unfused
2-7, 5-8
2-7, 5-8

**Low Voltage (LV)
(Secondary Volts)**

12	11.5	11
24	23	22
12	11.5	11
24	23	22

**Install Supplied Links
Between Terminals**

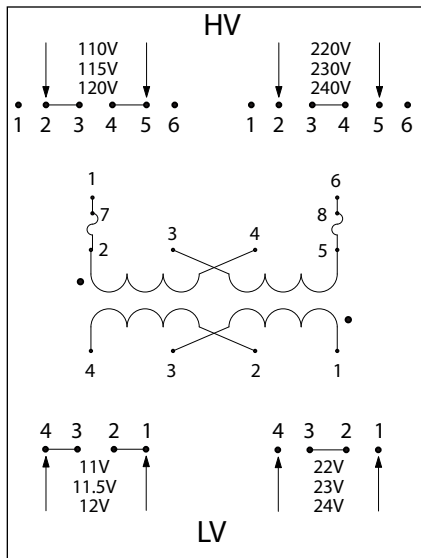
4-5, 2-3
3-4
4-5, 2-3
3-4

**Load Lines
Connect To**

2, 5
2, 5
1, 5
1, 5

**Install Fuse
Clips To**

Unfused
Unfused
2-7
2-7



PH*PG Schematic for 750VA and 1000VA Units**

**High Voltage (HV)
(Primary Volts)**

120	115	110
240	230	220
120	115	110
240	230	220

**Install Supplied Links
Between Terminals**

2-3, 4-5
3-4
2-3, 4-5
3-4

**Supply Lines
Connect To**

2, 5
2, 5
1, 6
1, 6

**Install Fuse
Clips To**

Unfused
Unfused
2-7, 5-8
2-7, 5-8

**Low Voltage (LV)
(Secondary Volts)**

12	11.5	11
24	23	22

**Install Supplied Links
Between Terminals**

3-4, 1-2
2-3

**Load Lines
Connect To**

1, 4
1, 4

**Install Fuse
Clips To**

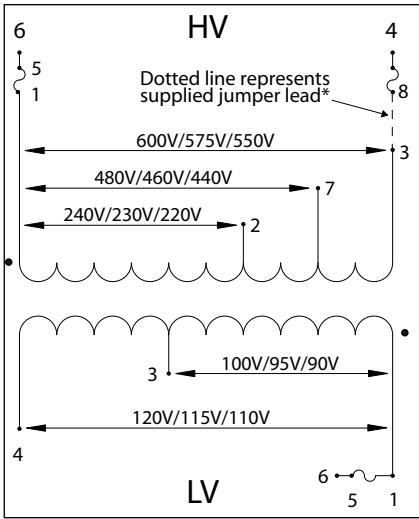
Unfused
Unfused

Note: secondary fuse clips not available on PH750PG or PH1000PG.

HPS Imperator - Wiring Schematic Drawings continued

Group H

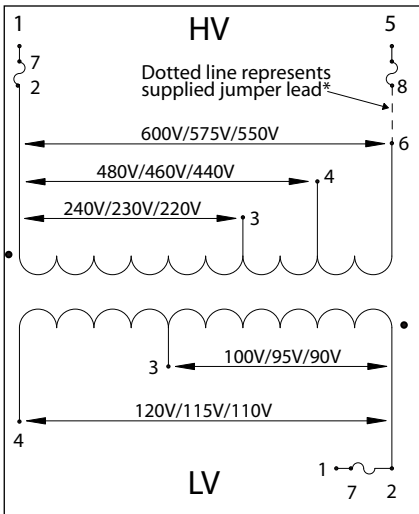
SECTION 1



PH*MBMH Schematic for 50 and 75VA Units**

High Voltage (HV) (Primary Volts)			Install Supplied Jumpers Between Terminals	Supply Lines Connect To	Install Fuse Clips To
600	575	550	None	1, 3	Unfused
480	460	440	None	1, 7	Unfused
240	230	220	None	1, 2	Unfused
600	575	550	3-8	6, 4	1-5, 4-8
480	460	440	8-7	6, 4	1-5, 4-8
240	230	220	2-8	6, 4	1-5, 4-8
Low Voltage (LV) (Secondary Volts)			Install Supplied Jumpers/ Links Between Terminals	Load Lines Connect To	Install Fuse Clips To
120	115	110	None	1, 4	Unfused
100	95	90	None	1, 3	Unfused
120	115	110	None	4, 6	1-5
100	95	90	None	3, 6	1-5

*This primary fuse jumper is supplied with the primary fuse kit only.



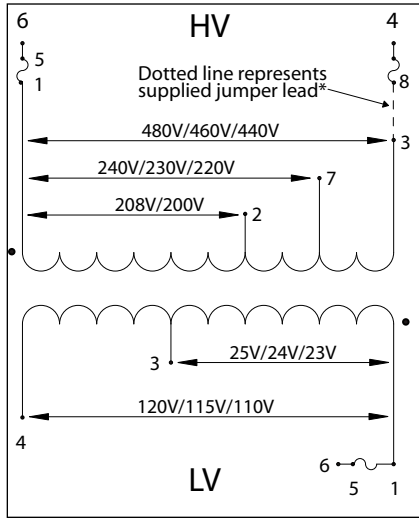
PH*MBMH Schematic for 100VA to 1500VA Units**

High Voltage (HV) (Primary Volts)			Install Supplied Jumpers Between Terminals	Supply Lines Connect To	Install Fuse Clips To
600	575	550	None	2, 6	Unfused
480	460	440	None	2, 4	Unfused
240	230	220	None	2, 3	Unfused
600	575	550	8-6	1, 5	2-7, 5-8
480	460	440	4-8	1, 5	2-7, 5-8
240	230	220	3-8	1, 5	2-7, 5-8
Low Voltage (LV) (Secondary Volts)			Install Supplied Jumpers/ Links Between Terminals	Load Lines Connect To	Install Fuse Clips To
120	115	110	None	2, 4	Unfused
100	95	90	None	2, 3	Unfused
120	115	110	None	1, 4	2-7
100	95	90	None	1, 3	2-7

*This primary fuse jumper is supplied with the primary fuse kit only.

HPS Imperator - Wiring Schematic Drawings continued

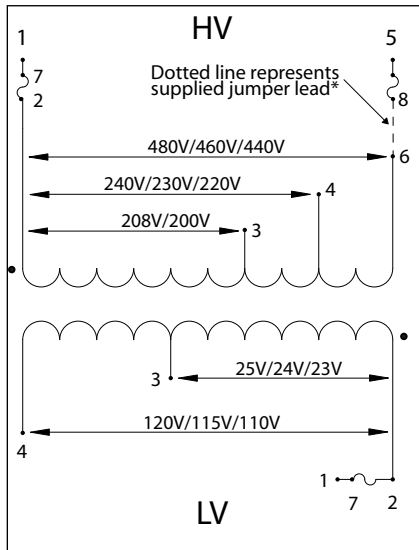
Group I



*This primary fuse jumper is supplied with the primary fuse kit only.

PH***MLI Schematic for 50, 75 and 100VA Units

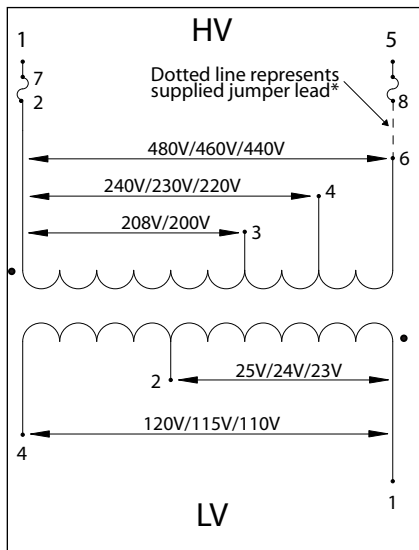
High Voltage (HV) (Primary Volts)	Install Supplied Jumpers Between Terminals	Supply Lines Connect To	Install Fuse Clips To
480 460 440	None	1, 3	Unfused
240 230 220	None	1, 7	Unfused
208 200	None	1, 2	Unfused
480 460 440	3-8	6, 4	1-5, 4-8
240 230 220	8-7	6, 4	1-5, 4-8
208 200	2-8	6, 4	1-5, 4-8
Low Voltage (LV) (Secondary Volts)	Install Supplied Jumpers Between Terminals	Load Lines Connect To	Install Fuse Clips To
120 115 110	None	1, 4	Unfused
25 24 23	None	1, 3	Unfused
120 115 110	None	4, 6	1-5
25 24 23	None	3, 6	1-5



*This primary fuse jumper is supplied with the primary fuse kit only.

PH***MLI Schematic for 150VA to 500VA Units

High Voltage (HV) (Primary Volts)	Install Supplied Jumpers Between Terminals	Supply Lines Connect To	Install Fuse Clips To
480 460 440	None	2, 6	Unfused
240 230 220	None	2, 4	Unfused
208 200	None	2, 3	Unfused
480 460 440	8-6	1, 5	2-7, 5-8
240 230 220	4-8	1, 5	2-7, 5-8
208 200	3-8	1, 5	2-7, 5-8
Low Voltage (LV) (Secondary Volts)	Install Supplied Jumpers Between Terminals	Load Lines Connect To	Install Fuse Clips To
120 115 110	None	2, 4	Unfused
25 24 23	None	2, 3	Unfused
120 115 110	None	1, 4	2-7
25 24 23	None	1, 3	2-7



*This primary fuse jumper is supplied with the primary fuse kit only.

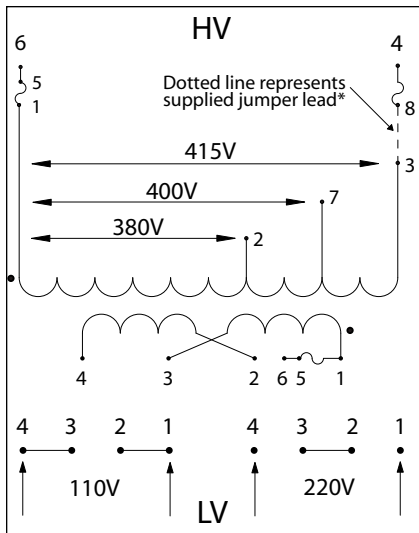
PH***MLI Schematic for 750VA and 1000VA Units

High Voltage (HV) (Primary Volts)	Install Supplied Jumpers Between Terminals	Supply Lines Connect To	Install Fuse Clips To
480 460 440	None	2, 6	Unfused
240 230 220	None	2, 4	Unfused
208 200	None	2, 3	Unfused
480 460 440	8-6	1, 5	2-7, 5-8
240 230 220	4-8	1, 5	2-7, 5-8
208 200	3-8	1, 5	2-7, 5-8
Low Voltage (LV) (Secondary Volts)	Install Supplied Jumpers Between Terminals	Load Lines Connect To	Install Fuse Clips To
120 115 110	None	1, 4	Unfused
25 24 23	None	1, 2	Unfused

Note: secondary fuse clips for 24V tap not available on the PH750MLI or PH1000MLI units.

HPS Imperator - Wiring Schematic Drawings continued

Group J

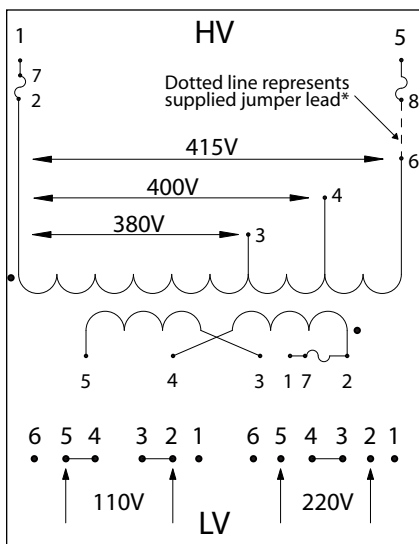


PH***MEMX Schematic for 50, 75 and 100VA Units

High Voltage (HV) (Primary Volts)	Install Supplied Jumpers Between Terminals	Supply Lines Connect To	Install Fuse Clips To
415	None	1, 3	Unfused
400	None	1, 7	Unfused
380	None	1, 2	Unfused
415	3-8	6, 4	1-5, 4-8
400	8-7	6, 4	1-5, 4-8
380	2-8	6, 4	1-5, 4-8

Low Voltage (LV) (Secondary Volts)	Install Supplied Links Between Terminals	Load Lines Connect To	Install Fuse Clips To
110	3-4, 1-2	1, 4	Unfused
220	2-3	1, 4	Unfused
110	3-4, 1-2	4, 6	1-5
220	2-3	4, 6	1-5

*This primary fuse jumper is supplied with the primary fuse kit only.



PH***MEMX Schematic for 150VA to 1000VA Units

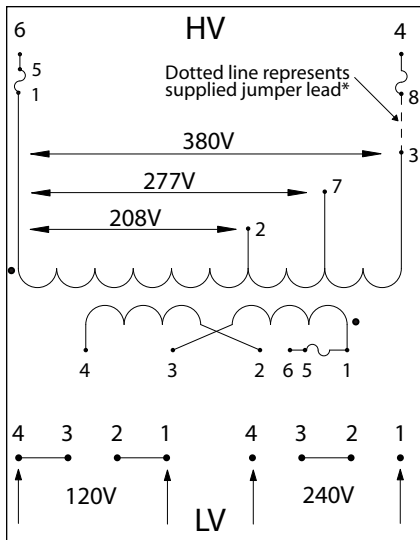
High Voltage (HV) (Primary Volts)	Install Supplied Jumpers Between Terminals	Supply Lines Connect To	Install Fuse Clips To
415	None	2, 6	Unfused
400	None	2, 4	Unfused
380	None	2, 3	Unfused
415	8-6	1, 5	2-7, 5-8
400	4-8	1, 5	2-7, 5-8
380	3-8	1, 5	2-7, 5-8

Low Voltage (LV) (Secondary Volts)	Install Supplied Links Between Terminals	Load Lines Connect To	Install Fuse Clips To
110	4-5, 2-3	2, 5	Unfused
220	3-4	2, 5	Unfused
110	4-5, 2-3	1, 5	2-7
220	3-4	1, 5	2-7

*This primary fuse jumper is supplied with the primary fuse kit only.

HPS Imperator - Wiring Schematic Drawings continued

Group K

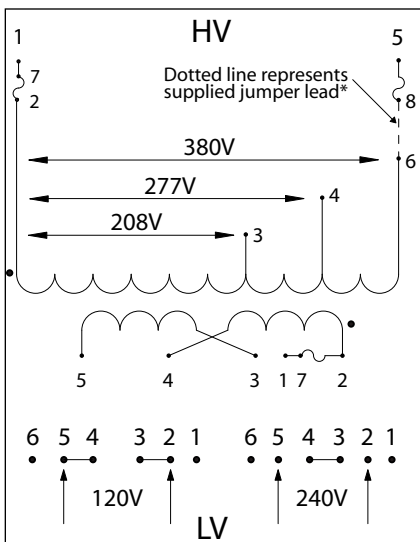


*This primary fuse jumper is supplied with the primary fuse kit only.

PH***MGJ Schematic for 50, 75 and 100VA Units

High Voltage (HV) (Primary Volts)	Install Supplied Jumpers Between Terminals	Supply Lines Connect To	Install Fuse Clips To
380	None	1, 3	Unfused
277	None	1, 7	Unfused
208	None	1, 2	Unfused
380	3-8	6, 4	1-5, 4-8
277	8-7	6, 4	1-5, 4-8
208	2-8	6, 4	1-5, 4-8

Low Voltage (LV) (Secondary Volts)	Install Supplied Links Between Terminals	Load Lines Connect To	Install Fuse Clips To
120	3-4, 1-2	1, 4	Unfused
240	2-3	1, 4	Unfused
120	3-4, 1-2	4, 6	1-5
240	2-3	4, 6	1-5



*This primary fuse jumper is supplied with the primary fuse kit only.

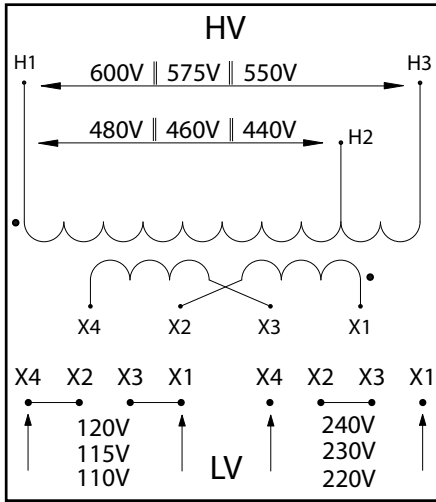
PH***MGJ Schematic for 150VA to 1000VA Units

High Voltage (HV) (Primary Volts)	Install Supplied Jumpers Between Terminals	Supply Lines Connect To	Install Fuse Clips To
380	None	2, 6	Unfused
277	None	2, 4	Unfused
208	None	2, 3	Unfused
380	8-6	1, 5	2-7, 5-8
277	4-8	1, 5	2-7, 5-8
208	3-8	1, 5	2-7, 5-8

Low Voltage (LV) (Secondary Volts)	Install Supplied Links Between Terminals	Load Lines Connect To	Install Fuse Clips To
120	4-5, 2-3	2, 5	Unfused
240	3-4	2, 5	Unfused
120	4-5, 2-3	1, 5	2-7
240	3-4	1, 5	2-7

HPS Spartan and HPS Fusion - Wiring Schematic Drawings

Group A



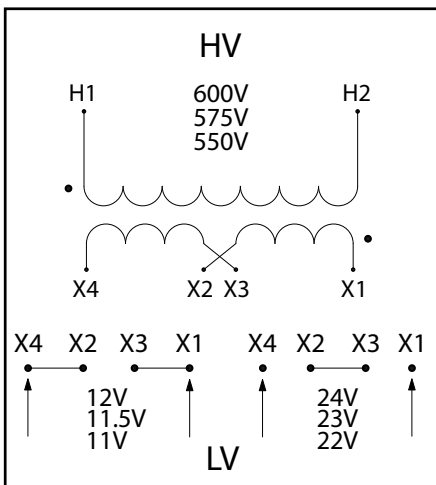
SP*ACP Schematic Connections for 600/480 to 120 X 240**

FS*ACP Schematic Connections for 600/480 to 120 X 240**

High Voltage (HV) (Primary Volts)	Install Supplied Jumpers Between Terminals	Supply Lines Connect To
600 575 550	None	H1, H3
480 460 440	None	H1, H2

Low Voltage (LV) (Secondary Volts)	Install Supplied Links Between Terminals	Load Lines Connect To
120 115 110	X1-X3, X2-X4	X1, X4
240 230 220	X2-X3	X1, X4

Group B



SP*AR Schematic Connections for 600/480 to 12 X 24**

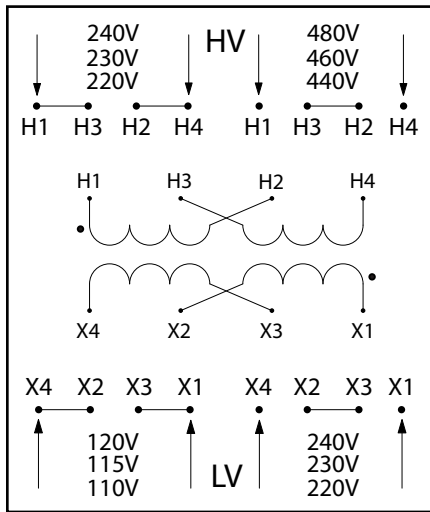
FS*AR Schematic Connections for 600/480 to 12 X 24**

High Voltage (HV) (Primary Volts)	Install Supplied Jumpers Between Terminals	Supply Lines Connect To
600 575 550	None	H1, H2

Low Voltage (LV) (Secondary Volts)	Install Supplied Links Between Terminals	Load Lines Connect To
12 11.5 11	X1-X3, X2-X4	X1, X4
24 23 22	X2-X3	X1, X4

HPS Fusion and HPS Spartan - Wiring Schematic Drawings continued

Group C



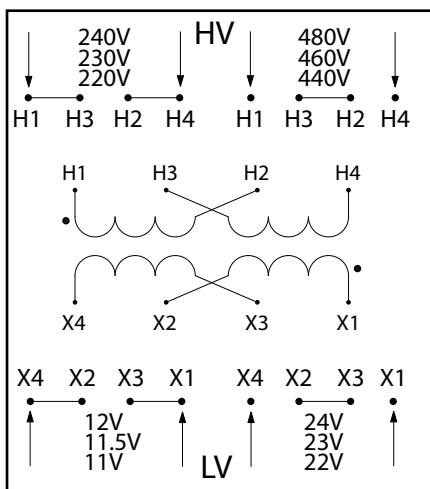
SP***MQMJ Schematic Connections for 240 X 480 to 120 X 240

FS***MQMJ Schematic Connections for 240 X 480 to 120 X 240

High Voltage (HV) (Primary Volts)			Install Supplied Jumpers Between Terminals	Supply Lines Connect To
240	230	220	H1-H3, H2-H4	H1, H4
480	460	440	H2-H3	H1, H4

Low Voltage (LV) (Secondary Volts)			Install Supplied Links Between Terminals	Load Lines Connect To
120	115	110	X1-X3, X2-X4	X1, X4
240	230	220	X2-X3	X1, X4

Group D



SP***QR Schematic Connections for 240 X 480 to 12 X 24

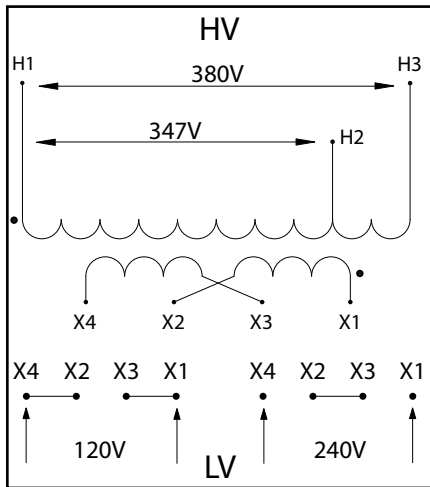
FS***QR Schematic Connections for 240 X 480 to 12 X 24

High Voltage (HV) (Primary Volts)			Install Supplied Jumpers Between Terminals	Supply Lines Connect To
240	230	220	H1-H3, H2-H4	H1, H4
480	460	440	H2-H3	H1, H4

Low Voltage (LV) (Secondary Volts)			Install Supplied Links Between Terminals	Load Lines Connect To
12	11.5	11	X1-X3, X2-X4	X1, X4
24	23	22	X2-X3	X1, X4

HPS Fusion and HPS Spartan - Wiring Schematic Drawings continued

Group E

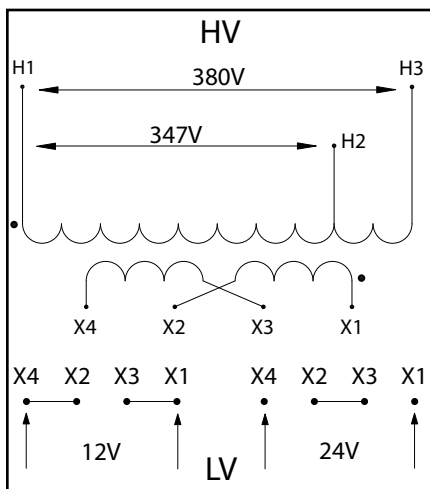


SP***KHP Schematic Connections for 380/347 to 120 X 240

FS***KHP Schematic Connections for 380/347 to 120 X 240

High Voltage (HV) (Primary Volts)	Install Supplied Jumpers Between Terminals	Supply Lines Connect To
380	None	H1, H3
347	None	H1, H2
Low Voltage (LV) (Secondary Volts)	Install Supplied Links Between Terminals	Load Lines Connect To
120	X1-X3, X2-X4	X1, X4
240	X2-X3	X1, X4

Group F



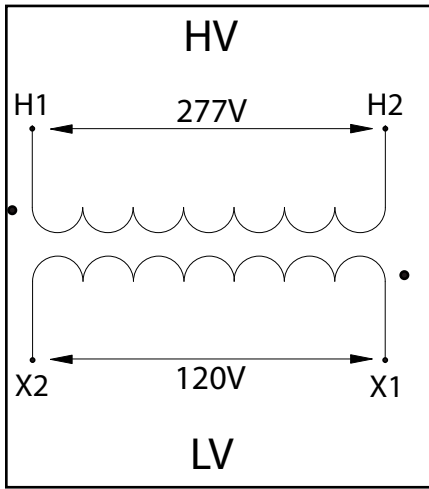
SP***KHR Schematic Connections for 380/347 to 12 X 24

FS***KHR Schematic Connections for 380/347 to 12 X 24

High Voltage (HV) (Primary Volts)	Install Supplied Jumpers Between Terminals	Supply Lines Connect To
380	None	H1, H3
347	None	H1, H2
Low Voltage (LV) (Secondary Volts)	Install Supplied Links Between Terminals	Load Lines Connect To
12	X1-X3, X2-X4	X1, X4
24	X2-X3	X1, X4

HPS Spartan and HPS Fusion - Wiring Schematic Drawings continued

Group G

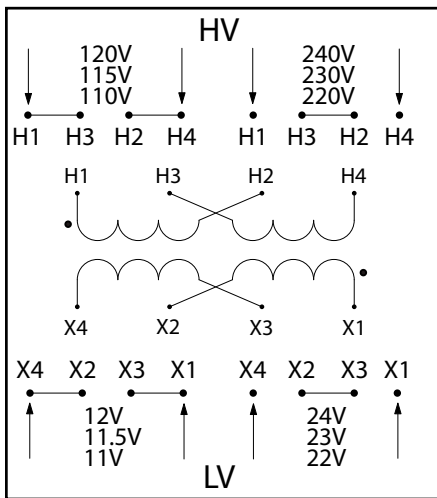


SP***NJ Schematic Connections for 277 to 120

FS***NJ Schematic Connections for 277 to 120

High Voltage (HV) (Primary Volts)	Install Supplied Jumpers Between Terminals	Supply Lines Connect To
277	None	H1, H2
Low Voltage (LV) (Secondary Volts)	Install Supplied Links Between Terminals	Load Lines Connect To
120	None	X1, X2

Group H



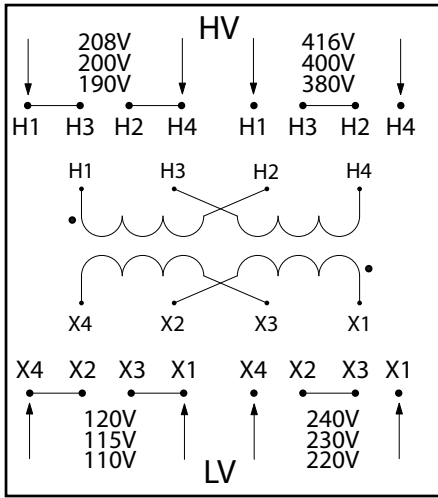
SP***PR Schematic Connections for 120 X 240 to 12 X 24

FS***PR Schematic Connections for 120 X 240 to 12 X 24

High Voltage (HV) (Primary Volts)	Install Supplied Jumpers Between Terminals	Supply Lines Connect To
120 115 110	H1-H3, H2-H4	H1, H4
240 230 220	H2-H3	H1, H4
Low Voltage (LV) (Secondary Volts)	Install Supplied Links Between Terminals	Load Lines Connect To
12 11.5 11	X1-X3, X2-X4	X1, X4
24 23 22	X2-X3	X1, X4

HPS Spartan and HPS Fusion - Wiring Schematic Drawings continued

Group I

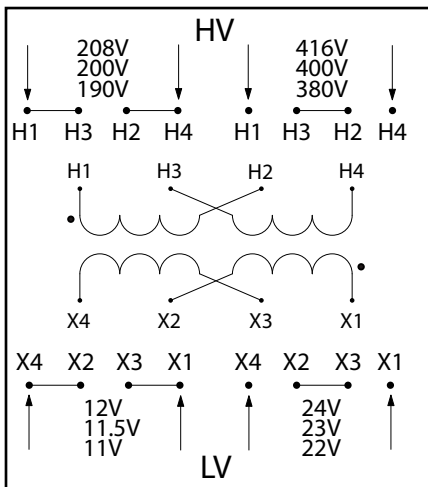


SP***SP Schematic Connections for 208 X 416 to 120 X 240

FS***SP Schematic Connections for 208 X 416 to 120 X 240

High Voltage (HV) (Primary Volts)			Install Supplied Jumpers Between Terminals	Supply Lines Connect To
208	200	190	H1-H3, H2-H4	H1, H4
416	400	380	H2-H3	H1, H4
Low Voltage (LV) (Secondary Volts)			Install Supplied Links Between Terminals	Load Lines Connect To
120	115	110	X1-X3, X2-X4	X1, X4
240	230	220	X2-X3	X1, X4

Group J



SP***SR Schematic Connections for 208 X 416 to 12 X 24

FS***SR Schematic Connections for 208 X 416 to 12 X 24

High Voltage (HV) (Primary Volts)			Install Supplied Jumpers Between Terminals	Supply Lines Connect To
208	200	190	H1-H3, H2-H4	H1, H4
416	400	380	H2-H3	H1, H4
Low Voltage (LV) (Secondary Volts)			Install Supplied Links Between Terminals	Load Lines Connect To
12	11.5	11	X1-X3, X2-X4	X1, X4
24	23	22	X2-X3	X1, X4



SECTION 2

HPS UNIVERSAL™ BUCK-BOOST TRANSFORMERS

Single and Three Phase Potted Buck-Boost Transformers

Buck-Boost Applications & Standard Specification.....	80
Selecting Buck-Boost Transformers	81
Single Phase Selection Tables	82
Three Phase Selection Tables	85
Single Phase Specification Tables	88
Three Phase Specification Tables	89
Single Phase Connection Diagrams	90
Three Phase Connection Diagrams	91
Three Phase Buck-Boost Q & A	93

Why Use Buck-Boost Transformers?

The advantages of using a buck-boost transformer over an equivalent standard isolation transformer are:

Advantages

1. Used in a variety of applications
2. Inexpensive and stocked voltage correction
3. Smaller and lighter than an isolation transformer

Disadvantages

1. No circuit isolation
2. Cannot create a neutral
3. KVA and voltages do not match what's on the nameplate kVA and voltages.



Buck-Boost Application

Buck-boost transformers offer an economical solution to the adjustment of line voltages that are slightly above or below normal. When a buck-boost transformer is connected as an autotransformer, only a portion of the load kVA is actually transformed. The majority of the load kVA is passed directly through to the source. For this reason a buck-boost transformer may be used to supply a much larger kVA load than is indicated on the nameplate.

Buck-boost transformers can be used to adjust stable voltages only.

BUCK-BOOST STANDARD SPECIFICATIONS

	50 to 1000 VA	1500 to 5000 VA
UL Listed	File: E50394	File: E50394
CSA Certified	File: LR3902	File: LR3902
Frequency	50/60 Hz	50/60 Hz
Insulation System	130°C (80°C rise)	180°C (115°C rise)
Standard Design	Single phase, welded core construction made with high quality, high permeability silicon steel laminations. Computer designed coils, accurately wound from high quality copper magnetic wire.	Single phase, welded core construction made with high quality, high permeability silicon steel laminations. Computer designed coils, accurately wound from high quality copper magnetic wire.
Encapsulation	All units from 50VA to 5kVA are encapsulated with electrical grade silica sand and resin compounds.	All units from 50VA to 5kVA are encapsulated with electrical grade silica sand and resin compounds.
Enclosure Type	Heavy Duty Type 3R (optional Type 4, 4X and 12 available)	Heavy Duty Type 3R (optional Type 4, 4X and 12 available)
Enclosure Finish	ANSI 61 Grey, UL50	ANSI 61 Grey, UL50
Termination	Front accessible separate high and low voltage lead wires or copper tabs.	Front accessible separate high and low voltage lead wires or copper tabs.
Conduit Knock-Outs	Side and rear standard on all units (no knock-outs on Stainless Steel enclosures).	Side and rear standard on all units (no knock-outs on Stainless Steel enclosures).
Mounting	Standard Wall Mounting.	Standard Wall Mounting.

Voltage Is the Key

Buck-boost transformers represent an economical way to both raise supply voltage caused by line drop or equipment demand on the distribution system, or lower voltage caused by increased system voltages due to supply line adjustments. Some loads including lighting and resistive loads require a stable supply to maintain performance. The detrimental effects of incorrect supply line voltage can cause equipment failure. Buck-boost transformers can correct line voltage within 5 to 25% of nominal.

Steps for Selecting Buck-Boost Transformers

The following information is required before selecting a buck-boost transformer:

1. Line Voltage - The voltage that you want to buck (decrease) or boost (increase). This can be determined by measuring the supply line voltage with a voltmeter.
2. Load Voltage - The voltage at which your equipment is designed to operate. This is listed on the nameplate of the load equipment.
3. Load kVA or Load Amps - You do not need to know both - one or the other is sufficient. This information usually can be found on the nameplate of the equipment that you want to operate. It is the sum of all the equipment that represents the load.
4. Frequency - The supply line frequency must be the same as the equipment to be operated - either 50 or 60 Hertz.
5. Phase - The supply line should be the same as the load - either single or three phase.

Four Steps to Select the Correct Buck-Boost Transformer

1. From the top row of each "Selection Chart", select a 'high voltage' and 'low voltage' combination that is the closest to matching the high voltage and low voltage correction that is required for your application.
2. Move down that column to the kVA or current rating equal to, or greater than, the rating required by the total load. It is not likely that the exact value of the load will be found, so go to the next higher rating.
3. From the far left column, select the corresponding catalog number of the exact buck-boost transformer required. Refer to specification tables for dimensional information.
4. Connect the transformer in accordance with the connection diagram referenced at the bottom of the same column where you selected your high voltage and low voltage combination. Connection diagrams are on pages 90 to 92 in this catalog section. They are also packaged with each transformer.



How to use the Selection Chart

1. From the top row of the "Selection Chart" locate the high and low voltage combination that is closest to the one you require.
2. Move down that column to the kVA or Ampere rating equal to or greater than the rating required by the load.
3. From the far left column, obtain the transformer catalog number.
4. For dimensional information refer to the specifications table (Group A) on page 88.
5. The corresponding connection diagram is indicated at the bottom of the Voltage / kVA column. See page 90 for the connection diagrams.

Single Phase - Group A Selection Chart

Catalog Number	Low Voltage High Voltage	96	100	100	105	110	110	115	115	120	120	200	208	220	220	240	240
		115	110	120	115	121	132	126	138	132	144	220	229	231	242	252	264
QC05ERCB	HV Amps	2.08	4.17	2.08	4.17	4.17	2.08	4.17	2.08	4.17	2.08	2.08	2.08	4.17	2.08	4.17	2.08
	KVA	.240	.458	.250	.480	.504	.275	.526	.288	.550	.300	.458	.477	.963	.504	1.05	.550
	LV Amps	2.50	4.58	2.50	4.58	4.58	2.50	4.58	2.50	4.58	2.50	2.29	2.29	4.38	2.29	4.38	2.29
QC10ERCB	HV Amps	4.17	8.33	4.17	8.33	8.33	4.17	8.33	4.17	8.33	4.17	4.17	4.17	8.33	4.17	8.33	4.17
	KVA	.480	.917	.500	.961	1.01	.550	1.05	.575	1.10	.600	.917	.953	1.92	1.01	2.10	1.10
	LV Amps	5.00	9.17	5.00	9.17	9.17	5.00	9.17	5.00	9.17	5.00	4.58	4.58	8.75	4.58	8.75	4.58
QC15ERCB	HV Amps	6.25	12.5	6.25	12.5	12.5	6.25	12.5	6.25	12.5	6.25	6.25	6.25	12.5	6.25	12.5	6.25
	KVA	.720	1.38	.750	1.44	1.51	.825	1.58	.863	1.65	.900	1.38	1.43	2.88	1.51	3.15	1.65
	LV Amps	7.50	13.8	7.50	13.8	13.8	7.50	13.8	7.50	13.8	7.50	6.88	6.88	13.1	6.88	13.1	6.88
QC20ERCB	HV Amps	8.33	16.7	8.33	16.7	16.7	8.33	16.7	8.33	16.7	8.33	8.33	8.33	16.7	8.33	16.7	8.33
	KVA	.960	1.83	1.00	1.92	2.02	1.10	2.11	1.15	2.20	1.20	1.83	1.91	3.85	2.02	4.20	2.20
	LV Amps	10.0	18.3	10.0	18.3	18.3	10.0	18.3	10.0	18.3	10.0	9.17	9.17	17.5	9.17	17.5	9.17
QC25ERCB	HV Amps	10.4	20.8	10.4	20.8	20.8	10.4	20.8	10.4	20.8	10.4	10.4	10.4	20.8	10.4	20.8	10.4
	KVA	1.20	2.29	1.25	2.40	2.52	1.37	2.63	1.44	2.75	1.50	2.29	2.38	4.81	2.52	5.25	2.75
	LV Amps	12.5	22.9	12.5	22.9	22.9	12.5	22.9	12.5	22.9	12.5	11.4	11.4	21.8	11.4	21.8	11.4
QC35ERCB	HV Amps	14.6	29.2	14.6	29.2	29.2	14.6	29.2	14.6	29.2	14.6	14.6	14.6	29.2	14.6	29.2	14.6
	KVA	1.68	3.21	1.75	3.36	3.53	1.92	3.68	2.01	3.85	2.10	3.21	3.34	6.74	3.53	7.35	3.85
	LV Amps	17.5	32.1	17.5	32.1	32.1	17.5	32.1	17.5	32.1	17.5	16.0	16.0	30.6	16.0	30.6	16.0
QC50ERCB	HV Amps	20.8	41.6	20.8	41.7	41.7	20.8	41.7	20.8	41.7	20.8	20.8	20.8	41.7	20.8	41.7	20.8
	KVA	2.39	4.58	2.50	4.80	5.04	2.75	5.26	2.87	5.50	3.00	4.58	4.77	9.62	5.04	10.5	5.50
	LV Amps	24.9	45.8	25.0	45.8	45.8	25.0	45.8	25.0	45.8	25.0	22.9	22.9	43.7	22.9	43.7	22.9
QC75ERCB	HV Amps	31.2	62.5	31.2	62.5	62.5	31.2	62.5	31.2	62.5	31.2	31.2	31.2	62.5	31.2	62.5	31.2
	KVA	3.60	6.87	3.75	7.20	7.56	4.12	7.89	4.31	8.25	4.50	6.87	7.15	14.4	7.56	15.7	8.25
	LV Amps	37.5	68.7	37.5	68.7	68.7	37.5	68.7	37.5	68.7	37.5	34.4	34.4	65.6	34.4	65.6	34.4
Q1C0ERCB	HV Amps	41.7	83.3	41.7	83.3	83.3	41.7	83.3	41.7	83.3	41.7	41.7	41.7	83.3	41.7	83.3	41.7
	KVA	4.80	9.17	5.00	9.60	10.1	5.50	10.5	5.75	11.0	6.00	9.17	9.53	19.2	10.1	21.0	11.0
	LV Amps	50.0	91.7	50.0	91.7	91.7	50.0	91.7	50.0	91.7	50.0	45.8	45.8	87.5	45.8	87.5	45.8
Q1C5ERCF	HV Amps	62.5	125	62.5	125	125	62.5	125	62.5	125	62.5	62.5	62.5	125	62.5	125	62.5
	KVA	7.20	13.7	7.50	14.4	15.1	8.25	15.8	8.62	16.5	9.00	13.7	14.3	28.9	15.1	31.5	16.5
	LV Amps	75.0	137	75.0	137	137	75.0	137	75.0	137	75.0	68.7	68.8	131	68.7	131	68.7
Q002ERCF	HV Amps	83.3	166	83.3	166	166	83.3	166	83.3	166	83.3	83.3	83.3	166	83.3	166	83.3
	KVA	9.58	18.3	10.0	19.2	20.1	11.0	21.0	11.5	22.0	12.0	18.3	19.0	38.5	20.1	42.0	22.0
	LV Amps	99.8	183	100	183	183	100	183	100	183	100	91.7	91.7	175	91.6	175	91.6
Q003ERCF	HV Amps	125	250	125	250	250	125	250	125	250	125	125	125	250	125	250	125
	KVA	14.4	27.5	15.0	28.8	30.2	16.5	31.5	17.2	33.0	18.0	27.5	28.6	57.7	30.2	63.0	33.0
	LV Amps	150	275	150	275	275	150	275	150	275	150	137	137	262	137	262	137
Q005ERCF	HV Amps	208	417	208	417	417	208	417	208	417	208	208	208	417	208	417	208
	KVA	24.0	45.8	25.0	48.0	50.4	27.5	52.7	28.7	55.0	30.0	45.8	47.7	96.3	50.4	105	55.0
	LV Amps	250	458	250	458	458	250	458	250	458	250	229	229	438	229	438	229
CONNECTION DIAGRAM		2	1	2	1	1	2	1	2	1	2	4	4	3	4	3	4

How to use the Selection Chart

1. From the top row of the "Selection Chart" locate the high and low voltage combination that is closest to the one you require.
2. Move down that column to the kVA or Ampere rating equal to or greater than the rating required by the load.
3. From the far left column, obtain the transformer catalog number.
4. For dimensional information refer to the specifications table (Group B) on page 88.
5. The corresponding connection diagram is indicated at the bottom of the Voltage / kVA column. See page 90 for the connection diagrams.

Single Phase - Group B Selection Chart

Catalog Number	Low Voltage High Voltage	95	101	106	110	110	115	115	120	120	203	208	220	220	230	240	240
		120	115	120	125	139	130	146	136	152	230	236	235	249	261	256	272
QC05ESCB	HV Amps	1.56	3.13	3.13	3.13	1.56	3.13	1.56	3.13	1.56	1.56	1.56	3.13	1.56	3.13	1.56	1.56
	KVA	.188	.359	.375	.390	.218	.407	.228	.425	.238	.359	.368	.733	.390	.407	.800	.425
	LV Amps	1.98	3.54	3.54	3.54	1.98	3.54	1.98	3.54	1.98	1.77	1.77	3.33	1.77	1.77	3.33	1.77
QC10ESCB	HV Amps	3.12	6.25	6.25	6.25	3.12	6.25	3.12	6.25	3.12	3.12	3.12	6.25	3.12	6.25	3.12	3.12
	KVA	.376	.718	.751	.779	.435	.815	.455	.850	.475	.719	.737	1.47	.779	.815	1.60	.850
	LV Amps	3.96	7.08	7.08	7.08	3.96	7.08	3.96	7.08	3.96	3.54	3.54	6.67	3.54	3.54	6.67	3.54
QC15ESCB	HV Amps	4.69	9.38	9.38	9.38	4.69	9.38	4.69	9.38	4.69	4.69	4.69	9.38	4.69	9.38	4.69	4.69
	KVA	.564	1.07	1.13	1.17	.653	1.22	.683	1.28	.713	1.08	1.10	2.20	1.17	1.22	2.40	1.28
	LV Amps	5.94	10.6	10.6	10.6	5.94	10.6	5.94	10.6	5.94	5.31	5.31	10.0	5.31	5.31	10.0	5.31
QC20ESCB	HV Amps	6.25	12.5	12.5	12.5	6.25	12.5	6.25	12.5	6.25	6.25	6.25	12.5	6.25	12.5	6.25	6.25
	KVA	.752	1.43	1.50	1.56	0.871	1.63	0.91	1.70	.950	1.44	1.47	2.93	1.56	1.63	3.20	1.70
	LV Amps	7.92	14.2	14.2	14.2	7.92	14.2	7.92	14.2	7.92	7.08	7.08	13.3	7.08	7.08	13.3	7.08
QC25ESCB	HV Amps	7.81	15.6	15.6	15.6	7.81	15.6	7.81	15.6	7.81	7.81	7.81	15.6	7.81	15.6	7.81	7.81
	KVA	0.94	1.80	1.87	1.95	1.09	2.04	1.14	2.12	1.19	1.80	1.84	3.67	1.95	2.04	4.00	2.12
	LV Amps	9.90	17.7	17.7	17.7	9.87	17.7	9.90	17.7	9.90	8.85	8.85	16.7	8.85	8.85	16.7	8.85
QC35ESCB	HV Amps	10.9	21.9	21.9	21.9	10.9	21.9	10.9	21.9	10.9	10.9	10.9	21.9	10.9	21.9	10.9	10.9
	KVA	1.31	2.51	2.63	2.73	1.52	2.85	1.59	2.98	1.66	2.51	2.58	5.13	2.73	2.85	5.60	2.98
	LV Amps	13.9	24.8	24.8	24.8	13.9	24.8	13.9	24.8	13.9	12.4	12.4	23.3	12.4	12.4	23.3	12.4
QC50ESCB	HV Amps	15.6	31.2	31.2	31.2	15.6	31.2	15.6	31.2	15.6	15.6	15.6	31.2	15.6	31.2	15.6	15.6
	KVA	1.88	3.59	3.75	3.90	2.18	4.07	2.28	4.25	2.37	3.59	3.68	7.33	3.90	4.07	8.00	4.25
	LV Amps	19.8	35.4	35.4	35.4	19.8	35.4	19.8	35.4	19.8	17.7	17.7	33.3	17.7	17.7	33.3	17.7
QC75ESCB	HV Amps	23.4	46.8	46.8	46.9	23.4	46.9	23.4	46.9	23.4	23.4	23.4	46.9	23.4	46.9	23.4	23.4
	KVA	2.82	5.39	5.63	5.84	3.27	6.10	3.41	6.37	3.56	5.39	5.53	11.0	5.84	6.11	12.0	6.37
	LV Amps	29.7	53.1	53.1	53.1	29.7	53.1	29.7	53.1	29.7	26.6	26.6	50.0	26.6	26.6	50.0	26.6
Q1C0ESCB	HV Amps	31.2	62.5	62.5	62.5	31.2	62.5	31.2	62.5	31.2	31.2	31.2	62.5	31.2	62.5	31.2	31.2
	KVA	3.76	7.18	7.50	7.79	4.35	8.15	4.55	8.50	4.75	7.19	7.37	14.7	7.79	8.15	16.0	8.50
	LV Amps	39.6	70.8	70.8	70.8	39.6	70.8	39.6	70.8	39.6	35.4	35.4	66.7	35.4	35.4	66.7	35.4
Q1C5ESCF	HV Amps	46.9	93.7	93.7	93.7	46.9	93.7	46.9	93.7	46.9	46.9	46.8	93.7	46.9	93.7	46.9	46.9
	KVA	5.64	10.8	11.2	11.7	6.53	12.2	6.83	12.7	7.12	10.8	11.0	22.0	11.7	12.2	24.0	12.7
	LV Amps	59.4	106	106	106	59.4	106	59.4	106	59.4	53.1	53.1	100	53.1	53.1	100	53.1
Q002ESCF	HV Amps	62.5	125	125	125	62.5	125	62.5	125	62.5	62.5	62.5	125	62.5	125	62.5	62.5
	KVA	7.50	14.4	15.0	15.6	8.71	16.3	9.10	17.0	9.50	14.4	14.7	29.3	15.6	16.3	32.0	17.0
	LV Amps	79.1	142	142	142	79.2	142	79.2	142	79.2	70.8	70.8	133	70.8	70.8	133	70.8
Q003ESCF	HV Amps	93.7	187	187	187	93.7	187	93.7	187	93.7	93.7	93.7	187	93.7	187	93.7	93.7
	KVA	11.3	21.5	22.5	23.4	13.0	24.4	13.6	25.5	14.2	21.6	22.1	44.0	23.4	24.4	48.0	25.5
	LV Amps	119	212	212	212	119	212	119	212	119	106	106	200	106	106	200	106
Q005ESCF	HV Amps	156	312	312	312	156	312	156	312	156	156	156	312	156	312	156	156
	KVA	18.8	35.9	37.5	39.0	21.8	40.7	22.8	42.5	23.8	35.9	36.8	73.3	39.0	40.7	80.0	42.5
	LV Amps	198	354	354	354	198	354	198	354	198	177	177	333	177	177	333	177
CONNECTION DIAGRAM		2	1	1	1	2	1	2	1	2	4	4	3	4	4	3	4



How to use the Selection Chart

1. From the top row of the "Selection Chart" locate the high and low voltage combination that is closest to the one you require.
2. Move down that column to the kVA or Ampere rating equal to or greater than the rating required by the load.
3. From the far left column, obtain the transformer catalog number.
4. For dimensional information refer to the specifications table (Group C) on page 88.
5. The corresponding connection diagram is indicated at the bottom of the Voltage / kVA column. See page 90 for the connection diagrams.

Single Phase - Group C Selection Chart

Catalog Number	Low Voltage High Voltage	200	208	220	230	240	380	416	430	435	436	440	440	450	456	460	480
		220	229	242	276	264	418	458	473	457	480	462	484	473	479	483	504
QC05DTCB	HV Amps	2.08	2.08	2.08	1.04	2.08	1.04	1.04	1.04	2.08	1.04	2.08	1.04	2.08	2.08	2.08	2.08
	KVA	0.46	0.48	0.50	0.29	0.55	0.44	0.48	0.49	0.95	0.50	0.96	0.50	0.98	1.00	1.01	1.05
	LV Amps	2.29	2.29	2.29	1.25	2.29	1.15	1.15	1.15	2.19	1.15	2.19	1.15	2.19	2.19	2.19	2.19
QC10DTCB	HV Amps	4.17	4.17	4.17	2.08	4.17	2.08	2.08	2.08	4.17	2.08	4.17	2.08	4.17	4.17	4.17	4.17
	KVA	0.92	0.95	1.01	0.58	1.10	0.87	0.95	0.99	1.90	1.00	1.93	1.01	1.97	2.00	2.01	2.10
	LV Amps	4.58	4.58	4.58	2.50	4.58	2.29	2.29	2.29	4.38	2.29	4.38	2.29	4.38	4.38	4.38	4.38
QC15DTCB	HV Amps	6.25	6.25	6.25	3.13	6.25	3.13	3.13	3.13	6.25	3.13	6.25	3.13	6.25	6.25	6.25	6.25
	KVA	1.38	1.43	1.51	0.86	1.65	1.31	1.43	1.48	2.85	1.50	2.89	1.51	2.95	2.99	3.02	3.15
	LV Amps	6.88	6.88	6.88	3.75	6.88	3.44	3.44	3.44	6.56	3.44	6.56	3.44	6.56	6.56	6.56	6.56
QC20DTCB	HV Amps	8.33	8.33	8.33	4.17	8.33	4.17	4.17	4.17	8.33	4.17	8.33	4.17	8.33	8.33	8.33	8.33
	KVA	1.83	1.91	2.02	1.15	2.20	1.74	1.91	1.97	3.81	2.00	3.85	2.02	3.94	3.99	4.03	4.20
	LV Amps	9.17	9.17	9.17	5.00	9.17	4.58	4.58	4.58	8.75	4.58	8.75	4.58	8.75	8.75	8.75	8.75
QC25DTCB	HV Amps	10.4	10.4	10.4	5.21	10.4	5.21	5.21	5.21	10.4	5.21	10.4	5.21	10.4	10.4	10.4	10.4
	KVA	2.29	2.38	2.52	1.44	2.75	2.18	2.38	2.46	4.76	2.50	4.81	2.52	4.92	4.99	5.03	5.25
	LV Amps	11.5	11.5	11.5	6.3	11.5	5.73	5.73	5.73	10.9	5.73	10.9	5.73	10.9	10.9	10.9	10.9
QC35DTCB	HV Amps	14.6	14.6	14.6	7.3	14.6	7.3	7.3	7.3	14.6	7.3	14.6	7.3	14.6	14.6	14.6	14.6
	KVA	3.21	3.34	3.53	2.01	3.85	3.05	3.34	3.45	6.61	3.50	6.74	3.53	6.89	6.98	7.0	7.4
	LV Amps	16.0	16.0	16.0	8.8	16.0	8.0	8.0	8.0	15.3	8.0	15.3	8.0	15.3	15.3	15.3	15.3
QC50DTCB	HV Amps	20.8	20.8	20.8	10.4	20.8	10.4	10.4	10.4	20.8	10.4	20.8	10.4	20.8	20.8	20.8	20.8
	KVA	4.58	4.77	5.04	2.88	5.5	4.35	4.77	4.93	9.52	5.00	9.63	5.04	9.84	9.98	10.1	10.5
	LV Amps	22.9	22.9	22.9	12.5	22.9	11.5	11.5	11.5	21.9	11.5	21.9	11.5	21.9	21.9	21.9	21.9
QC75DTCB	HV Amps	31.3	31.3	31.3	15.6	31.3	15.6	15.6	15.6	31.3	15.6	31.3	15.6	31.3	31.3	31.3	31.3
	KVA	6.88	7.15	7.56	4.31	8.25	6.53	7.15	7.39	14.3	7.49	14.4	7.56	14.8	15.0	15.1	15.8
	LV Amps	34.4	34.4	34.4	18.8	34.4	17.2	17.2	17.2	32.8	17.2	32.8	17.2	32.8	32.8	32.8	32.8
Q1C0DTCB	HV Amps	41.7	41.7	41.7	20.8	41.7	20.8	20.8	20.8	41.7	20.8	41.7	20.8	41.7	41.7	41.7	41.7
	KVA	9.17	9.53	10.1	5.75	11	8.71	9.53	9.85	19.0	9.99	19.3	10.1	19.7	20.0	20.1	21.0
	LV Amps	45.8	45.8	45.8	25.0	45.8	22.9	22.9	22.9	43.8	22.9	43.8	22.9	43.8	43.8	43.8	43.8
Q1C5DTCF	HV Amps	62.5	62.5	62.5	31.3	62.5	31.3	31.3	31.3	62.5	31.3	62.5	31.3	62.5	62.5	62.5	62.5
	KVA	13.8	14.3	15.1	8.6	16.5	13.1	14.3	14.8	28.5	15.0	28.9	15.1	29.5	29.9	30.2	31.5
	LV Amps	68.8	68.8	68.8	37.5	68.8	34.4	34.4	34.4	65.6	34.4	65.6	34.4	65.6	65.6	65.6	65.6
Q002DTCF	HV Amps	83.3	83.3	83.3	41.7	83.3	41.7	41.7	41.7	83.3	41.7	83.3	41.7	83.3	83.3	83.3	83.3
	KVA	18.3	19.1	20.2	11.5	22.0	17.4	19.1	19.7	38.1	20.0	38.5	20.2	39.4	39.9	40.3	42.0
	LV Amps	91.7	91.7	91.7	50.0	91.7	45.8	45.8	45.8	87.5	45.8	87.5	45.8	87.5	87.5	87.5	87.5
Q003DTCF	HV Amps	125	125	125	62.5	125	62.5	62.5	62.5	125	62.5	125	62.5	125	125	125	125
	KVA	27.5	28.6	30.3	17.3	33	26.1	28.6	29.6	57.1	30.0	57.8	30.3	59.1	59.9	60.4	63.0
	LV Amps	138	138	138	75	138	68.8	68.8	68.8	131	68.8	131	68.8	131	131	131	131
Q005DTCF	HV Amps	208	208	208	104	208	104	104	104	208	104	208	104	208	208	208	208
	KVA	45.8	47.7	50.4	28.8	55.0	43.5	47.7	49.3	95.2	50.0	96.3	50.4	98.4	99.8	101	105
	LV Amps	229	229	229	125	229	115	115	115	219	115	219	115	219	219	219	219
CONNECTION DIAGRAM		1	1	1	2	1	4	4	4	3	4	3	4	3	3	3	3

SECTION 2



How to use the Selection Chart

1. From the top row of the "Selection Chart" locate the high and low voltage combination that is closest to the one you require.
2. Determine the quantity you required.
3. The corresponding connection diagram is indicated at the top of the Voltage / kVA column. See page 91-92 for the connection diagrams.
4. Move down that column to the kVA or Ampere rating equal to or greater than the rating required by the load.
5. From the far left column, obtain the transformer catalog number.
6. For dimensional information refer to the specifications table (Group A) on page 89.

Three Phase - Group A Selection Chart

Catalog Number	Low Voltage		189	198	208	208	220	227	228	232	240	189	199	208	379	416	416
	High Voltage		208	208	218	229	242	250	239	255	264	109	115	120	219	240	240
QUANTITY REQUIRED			2	2	2	2	2	2	2	2	2	3	3	3	3	3	3
CONNECTION DIAGRAM <small>(Refer to Page 91-92)</small>			7	8	8	7	7	7	8	7	7	10	9	10	12	11	12
Three Phase Connection Style			Delta Connected									Wye Connected					
QC05ERCB	HV Amps		2.08	4.17	4.17	2.08	2.08	2.08	4.17	2.08	2.08	4.17	2.08	4.17	2.08	4.17	2.08
	KVA		0.76	1.51	1.58	0.83	0.88	0.91	1.73	0.93	0.96	1.50	0.86	1.65	1.51	3.15	1.65
QC10ERCB	HV Amps		4.17	8.33	8.33	4.17	4.17	4.17	8.33	4.17	4.17	8.33	4.17	8.33	4.17	8.33	4.17
	KVA		1.51	3.01	3.16	1.66	1.75	1.81	3.46	1.85	1.91	3.00	1.73	3.30	3.01	6.30	3.30
QC15ERCB	HV Amps		6.25	12.50	12.50	6.25	6.25	6.25	12.50	6.25	6.25	12.5	6.25	12.5	6.25	12.50	6.25
	KVA		2.26	4.51	4.73	2.48	2.62	2.71	5.19	2.77	2.86	4.50	2.59	4.95	4.52	9.45	4.95
QC20ERCB	HV Amps		8.33	16.70	16.70	8.33	8.33	8.33	16.70	8.33	8.33	16.7	8.33	16.7	8.33	16.70	8.33
	KVA		3.01	6.01	6.31	3.31	3.50	3.61	6.92	3.69	3.82	6.00	3.45	6.60	6.03	12.6	6.60
QC25ERCB	HV Amps		10.4	20.8	20.8	10.4	10.4	10.4	20.8	10.4	10.4	20.8	10.4	20.8	10.4	20.8	10.4
	KVA		3.76	7.51	7.89	4.13	4.37	4.51	8.64	4.61	4.77	7.50	4.31	8.25	7.53	15.75	8.25
QC35ERCB	HV Amps		14.6	29.2	29.2	14.6	14.6	14.6	29.2	14.6	14.6	29.2	14.6	29.2	14.6	29.2	14.6
	KVA		5.26	10.50	11.00	5.78	6.12	6.31	12.10	6.45	6.67	10.50	6.04	11.55	10.54	22.05	11.60
QC50ERCB	HV Amps		20.8	41.7	41.7	20.8	20.8	20.8	41.7	20.8	20.8	41.7	20.8	41.7	20.8	41.7	20.8
	KVA		7.51	15.00	15.80	8.26	8.74	9.02	17.30	9.21	9.53	15.0	8.60	16.5	15.1	31.5	16.5
QC75ERCB	HV Amps		31.3	62.5	62.5	31.3	31.3	31.3	62.5	31.3	31.3	62.5	31.3	62.5	31.3	62.5	31.3
	KVA		11.3	22.5	23.7	12.4	13.1	13.5	25.9	13.8	14.3	22.5	12.9	24.8	22.6	47.3	24.8
Q1C0ERCB	HV Amps		41.7	83.3	83.3	41.7	41.7	41.7	83.3	41.7	41.7	83.3	41.7	83.3	41.7	83.3	41.7
	KVA		15.0	30.0	31.5	16.5	17.5	18.0	34.6	18.4	19.1	30.0	17.3	33.0	30.1	63.0	33.0
Q1C5ERCF	HV Amps		62.5	125.0	125.0	62.5	62.5	62.5	125.0	62.5	62.5	125	62.5	125	62.5	125.0	62.5
	KVA		22.5	45.0	47.3	24.8	26.2	27.0	51.8	27.6	28.6	45.0	25.9	49.5	45.2	94.5	49.5
Q002ERCF	HV Amps		83.3	167.0	167.0	83.3	83.3	83.3	167.0	83.3	83.3	167	83.3	167	83.3	167.0	83.3
	KVA		30.0	60.0	63.1	33.0	34.9	36.1	69.1	36.8	38.1	60.0	34.5	66.0	60.3	126	66.0
Q003ERCF	HV Amps		125	250	250	125	125	125	250	125	125	250	125	250	125	250	125
	KVA		45.0	90.0	94.6	49.5	52.4	54.1	103.7	55.3	57.2	90.0	51.8	99.0	90.4	189	99.0
Q005ERCF	HV Amps		208	417	417	208	208	208	417	208	208	417	208	417	208	417	208
	KVA		75.0	150.0	157.6	82.6	87.3	90.1	172.8	92.1	95.3	150	86.3	165	151	315	165
	LV Amps		229	438	438	229	229	229	438	229	229	458	250	458	229	438	229



How to use the Selection Chart

1. From the top row of the "Selection Chart" locate the high and low voltage combination that is closest to the one you require.
2. Determine the quantity you required.
3. The corresponding connection diagram is indicated at the top of the Voltage / kVA column. See page 91-92 for the connection diagrams.
4. Move down that column to the kVA or Ampere rating equal to or greater than the rating required by the load.
5. From the far left column, obtain the transformer catalog number.
6. For dimensional information refer to the specifications table (Group B) on page 89.

Three Phase - Group B Selection Chart

Catalog Number	Low Voltage		184	195	208	208	225	230	234	234	240	240	184	208	379	416	416
	High Voltage		209	208	222	236	240	245	250	265	272	256	106	120	219	240	240
QUANTITY REQUIRED			2	2	2	2	2	2	2	2	2	2	3	3	3	3	3
CONNECTION DIAGRAM (Refer to Page 91-92)			7	8	8	7	8	8	8	7	7	8	10	10	12	11	12
Three Phase Connection Style			Delta Connected									Wye Connected					
QC05ESCB	HV Amps	KVA	1.56	3.13	3.13	1.56	3.13	3.13	3.13	1.56	1.56	3.13	3.13	1.56	3.13	1.56	
	LV Amps		0.57	1.13	1.21	0.64	1.30	1.33	1.36	0.72	0.74	1.39	1.13	1.28	1.17	2.40	1.28
QC10ESCB	HV Amps	KVA	1.77	3.33	3.33	1.77	3.33	3.33	3.33	1.77	1.77	3.33	3.54	3.54	1.77	3.33	1.77
	LV Amps		3.13	6.25	6.25	3.13	6.25	6.25	6.25	3.13	3.13	6.25	6.25	6.25	3.13	6.25	3.13
QC15ESCB	HV Amps	KVA	1.13	2.26	2.41	1.28	2.60	2.66	2.71	1.44	1.48	2.78	2.25	2.55	2.33	4.80	2.55
	LV Amps		4.69	9.38	9.38	4.69	9.38	9.38	9.38	4.69	4.69	9.38	9.38	9.38	4.69	9.4	4.69
QC20ESCB	HV Amps	KVA	1.70	3.38	3.61	1.92	3.90	3.99	4.06	2.16	2.21	4.16	3.38	3.83	3.50	7.20	3.83
	LV Amps		6.25	12.50	12.50	6.25	12.50	12.50	12.50	6.25	6.25	12.50	12.5	12.5	6.25	12.50	6.25
QC25ESCB	HV Amps	KVA	2.26	4.51	4.81	2.56	5.20	5.32	5.41	2.88	2.94	5.55	4.50	5.10	4.67	9.60	5.10
	LV Amps		7.81	15.60	15.60	7.80	15.60	15.60	15.60	7.81	7.81	15.60	15.6	15.6	7.81	15.6	7.81
QC35ESCB	HV Amps	KVA	2.83	5.63	6.01	3.19	6.50	6.64	6.76	3.59	3.69	6.93	5.63	6.38	5.84	12.0	6.38
	LV Amps		10.9	21.9	21.9	10.9	21.9	21.9	21.9	10.9	10.9	21.9	21.9	21.9	10.9	21.9	10.9
QC50ESCB	HV Amps	KVA	3.96	7.89	8.41	4.47	9.10	9.30	9.46	5.03	5.16	9.70	7.88	8.93	8.17	16.8	8.93
	LV Amps		15.6	31.3	31.3	15.6	31.3	31.3	31.3	15.6	15.6	31.3	31.3	31.3	15.6	31.3	15.6
QC75ESCB	HV Amps	KVA	5.65	11.30	12.00	6.38	13.00	13.30	13.50	7.18	7.37	13.90	11.3	12.8	11.7	24.0	12.8
	LV Amps		23.4	46.9	46.9	23.4	46.9	46.9	46.9	23.4	23.4	46.9	46.9	46.9	23.4	46.9	23.4
Q1C0ESCB	HV Amps	KVA	8.47	16.90	18.00	9.57	19.5	19.9	20.3	10.8	11.1	20.8	16.9	19.1	17.5	36.0	19.1
	LV Amps		31.3	62.5	62.5	31.3	62.5	62.5	62.5	31.3	31.3	62.5	62.5	62.5	31.3	62.5	31.3
Q1C5ESCF	HV Amps	KVA	11.3	22.5	24.0	12.8	26.0	26.6	27.0	14.4	14.7	27.7	22.5	25.5	23.3	48.0	25.5
	LV Amps		46.9	93.8	93.8	46.9	93.8	93.8	93.8	46.9	46.9	93.8	93.8	93.8	46.9	93.8	46.9
Q002ESCF	HV Amps	KVA	16.9	33.8	36.0	19.1	39.0	39.8	40.5	21.5	22.1	41.6	33.8	38.3	35.0	72.0	38.3
	LV Amps		62.5	125.0	125.0	62.5	125.0	125.0	125.0	62.5	62.5	125.0	125	125	62.5	125.0	62.5
Q003ESCF	HV Amps	KVA	70.8	133.3	133.3	70.8	133.3	133.3	133.3	70.8	70.8	133.3	142	142	70.8	133	70.8
	LV Amps		93.75	187.5	187.5	93.75	187.5	187.5	187.5	93.75	93.75	187.5	188	188	93.8	188	93.8
Q005ESCF	HV Amps	KVA	33.9	67.6	72.1	38.3	78.0	79.7	81.1	43.1	44.2	83.1	67.5	76.5	70.0	144	76.5
	LV Amps		156.25	312.5	312.5	156.25	313	312.5	312.5	156.25	156.25	312.5	313	313	156	313	156
	HV Amps	KVA	56.4	112.6	120.1	63.8	129.9	132.8	135.1	71.8	73.6	138.6	113	128	117	240	128
	LV Amps		177.1	333.3	333.3	177.1	333.3	333.3	333.3	177.1	177.1	333.3	354	354	177	333	177

SECTION 2



How to use the Selection Chart

1. From the top row of the "Selection Chart" locate the high and low voltage combination that is closest to the one you require.
2. Determine the quantity you required.
3. The corresponding connection diagram is indicated at the top of the Voltage / kVA column. See page 91-92 for the connection diagrams.
4. Move down that column to the kVA or Ampere rating equal to or greater than the rating required by the load.
5. From the far left column, obtain the transformer catalog number.
6. For dimensional information refer to the specifications table (Group C) on page 89.

Three Phase - Group C Selection Chart

Catalog Number	Low Voltage	173	200	208	362	380	400	419	436	457	480	480	346	379	400	416
	High Voltage	208	240	250	380	418	440	440	480	480	528	504	416	456	480	499
QUANTITY REQUIRED		2	2	2	2	2	2	2	2	2	2	2	3	3	3	3
CONNECTION DIAGRAM <small>(Refer to Page 91-92)</small>		5	5	5	6	7	7	8	7	8	7	8	9	9	9	9
Three Phase Connection Style		Delta Connected											Wye Connected			
QC05DTCB	HV Amps	1.04	1.04	1.04	2.08	1.04	1.04	2.08	1.04	2.08	1.04	2.08	1.04	1.04	1.04	1.04
	KVA	0.38	0.44	0.46	1.44	0.76	0.80	1.67	0.87	1.82	0.96	1.82	0.75	0.82	0.87	0.90
QC10DTCB	HV Amps	2.08	2.08	2.08	4.17	2.08	2.08	4.17	2.08	4.17	2.08	4.17	2.08	2.08	2.08	2.08
	KVA	0.75	0.87	0.91	2.88	1.51	1.59	3.33	1.74	3.63	1.91	3.64	1.50	1.64	1.73	1.80
QC15DTCB	HV Amps	3.13	3.13	3.13	6.25	3.13	3.13	6.25	3.13	6.25	3.13	6.25	3.13	3.13	3.13	3.13
	KVA	1.13	1.30	1.36	4.32	2.27	2.39	4.99	2.60	5.45	2.86	5.46	2.25	2.47	2.60	2.70
QC20DTCB	HV Amps	4.17	4.17	4.17	8.33	4.17	4.17	8.33	4.17	8.33	4.17	8.33	4.17	4.17	4.17	4.17
	KVA	1.50	1.74	1.81	5.75	3.02	3.18	6.66	3.47	7.26	3.82	7.28	3.00	3.29	3.46	3.60
QC25DTCB	HV Amps	5.21	5.21	5.21	10.4	5.21	5.21	10.40	5.21	10.40	5.21	10.40	5.21	5.21	5.21	5.21
	KVA	1.88	2.17	2.26	7.19	3.78	3.97	8.32	4.33	9.07	4.77	9.10	3.75	4.11	4.33	4.50
QC35DTCB	HV Amps	7.29	7.29	7.29	14.6	7.29	7.3	14.6	7.3	14.6	7.29	14.6	7.29	7.29	7.29	7.29
	KVA	2.63	3.04	3.16	10.1	5.28	5.56	11.70	6.06	12.70	6.67	12.70	5.25	5.75	6.06	6.30
QC50DTCB	HV Amps	10.4	10.4	10.4	20.8	10.4	10.4	20.8	10.4	20.8	10.4	20.8	10.4	10.4	10.4	10.4
	KVA	3.75	4.34	4.51	14.4	7.55	7.94	16.60	8.66	18.10	9.53	18.20	7.50	8.22	8.66	9.00
QC75DTCB	HV Amps	15.6	15.6	15.6	31.3	15.6	15.6	31.3	15.6	31.3	15.6	31.3	15.6	15.6	15.6	15.6
	KVA	5.62	6.50	6.76	21.6	11.3	11.9	25.0	13.0	27.2	14.3	27.3	11.3	12.3	13.0	13.5
Q1C0DTCB	HV Amps	20.8	20.8	20.8	41.7	20.8	20.8	41.7	20.8	41.7	20.8	41.7	20.8	20.8	20.8	20.8
	KVA	7.50	8.67	9.01	28.7	15.1	15.9	33.3	17.3	36.3	19.1	36.4	15.0	16.4	17.3	18.0
Q1C5DTCF	HV Amps	31.3	31.3	31.3	62.5	31.3	31.3	62.5	31.3	62.5	31.3	62.5	31.3	31.3	31.3	31.3
	KVA	11.2	13.0	13.5	43.1	22.6	23.8	49.9	26.0	54.4	28.6	54.6	22.5	24.7	26.0	27.0
Q002DTCF	HV Amps	41.7	41.7	41.7	83.3	41.7	41.7	83.3	41.7	83.3	41.7	83.3	41.7	41.7	41.7	41.7
	KVA	15.0	17.3	18.0	57.5	30.2	31.8	66.5	34.6	72.6	38.1	72.8	30.0	32.9	34.6	36.0
Q003DTCF	HV Amps	62.5	62.5	62.5	125	62.5	62.5	125.0	62.5	125.0	62.5	125.0	62.5	62.5	62.5	62.5
	KVA	22.5	26.0	27.0	86.2	45.3	47.6	99.8	51.9	109.0	57.2	109.0	45.0	49.3	51.9	54.0
Q005DTCF	HV Amps	104	104	104	208	104	104	208	104	208	104	208	104	104	104	104
	KVA	37.5	43.3	45.0	144.0	75.4	79.4	166.0	86.5	181.0	95.3	182.0	75.0	82.2	86.6	90.0
	LV Amps	125	125	125	229	115	115	229	115	229	115	229	125	125	125	125





Single Phase Specification Tables

Group A

Primary Voltage: 120 X 240

Secondary Voltage: 12 X 24

50/60 Hertz

VA	Catalog Number	Case Style (Page 228)	Approx. Dimensions (Inches)			Approx. Weight (Lbs.)	Mtg Type W - Wall
			Width	Depth	Height		
50	QC05ERCB	NQ0	3.69	5.06	7.19	6	W
100	QC10ERCB	NQ0	3.69	5.06	7.19	7	W
150	QC15ERCB	NQ0	3.69	5.06	7.19	8	W
200	QC20ERCB	NQ1	4.31	5.56	7.19	11	W
250	QC25ERCB	NQ1	4.31	5.56	7.19	13	W
350	QC35ERCB	NQ1	4.31	5.56	7.19	14	W
500	QC50ERCB	NQ2	5.06	4.56	9.30	15	W
750	QC75ERCB	NQ2	5.06	4.56	9.30	18	W
1000	Q1C0ERCB	NQ3	5.88	5.19	10.56	25	W
1500	Q1C5ERCF	NQ4	7.06	6.25	11.75	36	W
2000	Q002ERCF	NQ4	7.06	6.25	11.75	46	W
3000	Q003ERCF	NQ5	10.00	7.75	17.25	65	W
5000	Q005ERCF	NQ5	10.00	7.75	17.25	105	W

Group B

Primary Voltage: 120 X 240

Secondary Voltage: 16 X 32

50/60 Hertz

VA	Catalog Number	Case Style (Page 228)	Approx. Dimensions (Inches)			Approx. Weight (Lbs.)	Mtg Type W - Wall
			Width	Depth	Height		
50	QC05ESCB	NQ0	3.69	5.06	7.19	6	W
100	QC10ESCB	NQ0	3.69	5.06	7.19	7	W
150	QC15ESCB	NQ0	3.69	5.06	7.19	8	W
200	QC20ESCB	NQ1	4.31	5.56	7.19	11	W
250	QC25ESCB	NQ1	4.31	5.56	7.19	13	W
350	QC35ESCB	NQ1	4.31	5.56	7.19	14	W
500	QC50ESCB	NQ2	5.06	4.56	9.30	15	W
750	QC75ESCB	NQ2	5.06	4.56	9.30	18	W
1000	Q1C0ESCB	NQ3	5.88	5.19	10.56	25	W
1500	Q1C5ESCF	NQ4	7.06	6.25	11.75	36	W
2000	Q002ESCF	NQ4	7.06	6.25	11.75	46	W
3000	Q003ESCF	NQ5	10.00	7.75	17.25	65	W
5000	Q005ESCF	NQ5	10.00	7.75	17.25	105	W

Group C

Primary Voltage: 240 X 480

Secondary Voltage: 24 X 48

50/60 Hertz

VA	Catalog Number	Case Style (Page 228)	Approx. Dimensions (Inches)			Approx. Weight (Lbs.)	Mtg Type W - Wall
			Width	Depth	Height		
50	QC05DTCB	NQ0	3.69	5.06	7.19	6	W
100	QC10DTCB	NQ0	3.69	5.06	7.19	7	W
150	QC15DTCB	NQ0	3.69	5.06	7.19	8	W
200	QC20DTCB	NQ1	4.31	5.56	7.19	11	W
250	QC25DTCB	NQ1	4.31	5.56	7.19	13	W
350	QC35DTCB	NQ1	4.31	5.56	7.19	14	W
500	QC50DTCB	NQ2	5.06	4.56	9.30	15	W
750	QC75DTCB	NQ2	5.06	4.56	9.30	18	W
1000	Q1C0DTCB	NQ3	5.88	5.19	10.56	25	W
1500	Q1C5DTCF	NQ4	7.06	6.25	11.75	36	W
2000	Q002DTCF	NQ4	7.06	6.25	11.75	46	W
3000	Q003DTCF	NQ5	10.00	7.75	17.25	65	W
5000	Q005DTCF	NQ5	10.00	7.75	17.25	105	W





Three Phase Specification Tables

Group A

Primary Voltage: 120 X 240

Secondary Voltage: 12 X 24

50/60 Hertz

VA	Catalog Number	Case Style (Page 228)	Approx. Dimensions (Inches)			Approx. Weight (Lbs.)	Mtg Type W - Wall
			Width	Depth	Height		
50	QC05ERCB	NQ0	3.69	5.06	7.19	6	W
100	QC10ERCB	NQ0	3.69	5.06	7.19	7	W
150	QC15ERCB	NQ0	3.69	5.06	7.19	8	W
200	QC20ERCB	NQ1	4.31	5.56	7.19	11	W
250	QC25ERCB	NQ1	4.31	5.56	7.19	13	W
350	QC35ERCB	NQ1	4.31	5.56	7.19	14	W
500	QC50ERCB	NQ2	5.06	4.56	9.30	15	W
750	QC75ERCB	NQ2	5.06	4.56	9.30	18	W
1000	Q1C0ERCB	NQ3	5.88	5.19	10.56	25	W
1500	Q1C5ERCF	NQ4	7.06	6.25	11.75	36	W
2000	Q002ERCF	NQ4	7.06	6.25	11.75	46	W
3000	Q003ERCF	NQ5	10.00	7.75	17.25	65	W
5000	Q005ERCF	NQ5	10.00	7.75	17.25	105	W

Group B

Primary Voltage: 120 X 240

Secondary Voltage: 16 X 32

50/60 Hertz

VA	Catalog Number	Case Style (Page 228)	Approx. Dimensions (Inches)			Approx. Weight (Lbs.)	Mtg Type W - Wall
			Width	Depth	Height		
50	QC05ESCB	NQ0	3.69	5.06	7.19	6	W
100	QC10ESCB	NQ0	3.69	5.06	7.19	7	W
150	QC15ESCB	NQ0	3.69	5.06	7.19	8	W
200	QC20ESCB	NQ1	4.31	5.56	7.19	11	W
250	QC25ESCB	NQ1	4.31	5.56	7.19	13	W
350	QC35ESCB	NQ1	4.31	5.56	7.19	14	W
500	QC50ESCB	NQ2	5.06	4.56	9.30	15	W
750	QC75ESCB	NQ2	5.06	4.56	9.30	18	W
1000	Q1C0ESCB	NQ3	5.88	5.19	10.56	25	W
1500	Q1C5ESCF	NQ4	7.06	6.25	11.75	36	W
2000	Q002ESCF	NQ4	7.06	6.25	11.75	46	W
3000	Q003ESCF	NQ5	10.00	7.75	17.25	65	W
5000	Q005ESCF	NQ5	10.00	7.75	17.25	105	W

Group C

Primary Voltage: 240 X 480

Secondary Voltage: 24 X 48

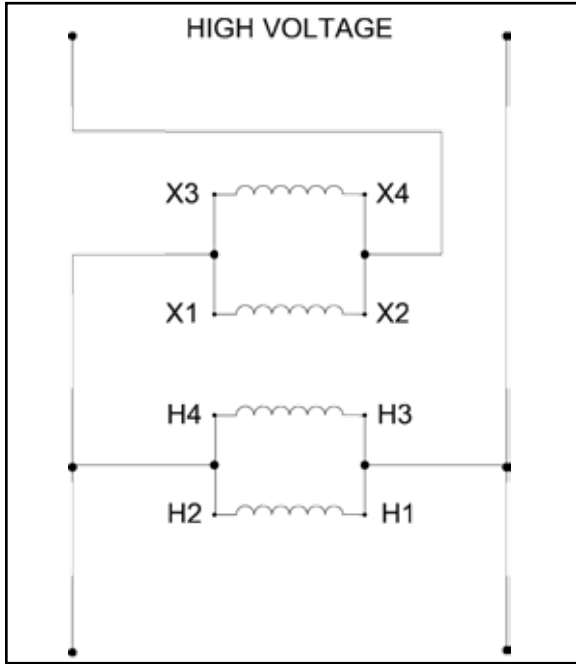
50/60 Hertz

VA	Catalog Number	Case Style (Page 228)	Approx. Dimensions (Inches)			Approx. Weight (Lbs.)	Mtg Type W - Wall
			Width	Depth	Height		
50	QC05DTCB	NQ0	3.69	5.06	7.19	6	W
100	QC10DTCB	NQ0	3.69	5.06	7.19	7	W
150	QC15DTCB	NQ0	3.69	5.06	7.19	8	W
200	QC20DTCB	NQ1	4.31	5.56	7.19	11	W
250	QC25DTCB	NQ1	4.31	5.56	7.19	13	W
350	QC35DTCB	NQ1	4.31	5.56	7.19	14	W
500	QC50DTCB	NQ2	5.06	4.56	9.30	15	W
750	QC75DTCB	NQ2	5.06	4.56	9.30	18	W
1000	Q1C0DTCB	NQ3	5.88	5.19	10.56	25	W
1500	Q1C5DTCF	NQ4	7.06	6.25	11.75	36	W
2000	Q002DTCF	NQ4	7.06	6.25	11.75	46	W
3000	Q003DTCF	NQ5	10.00	7.75	17.25	65	W
5000	Q005DTCF	NQ5	10.00	7.75	17.25	105	W

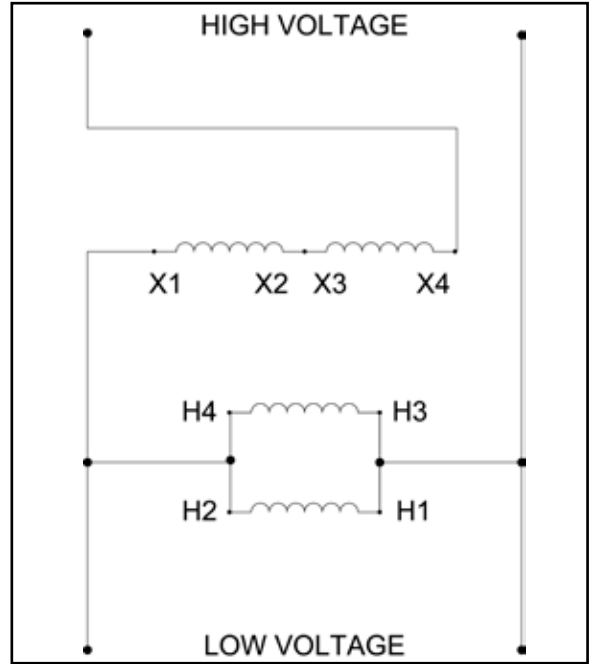


Single Phase Connection Diagrams

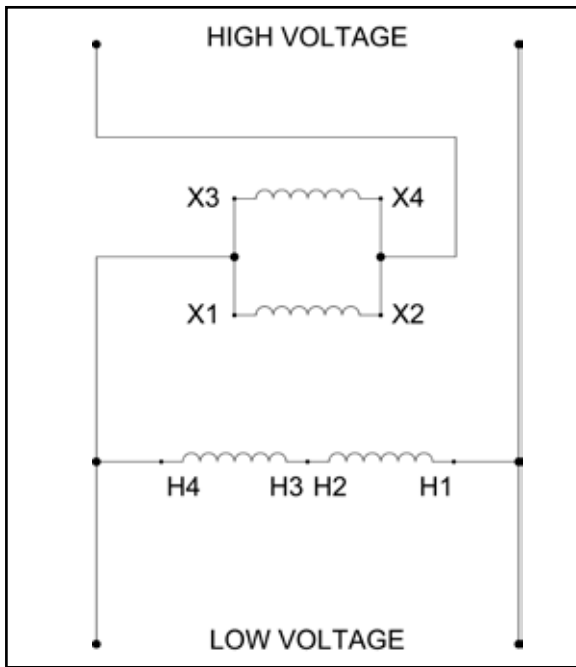
SECTION 2



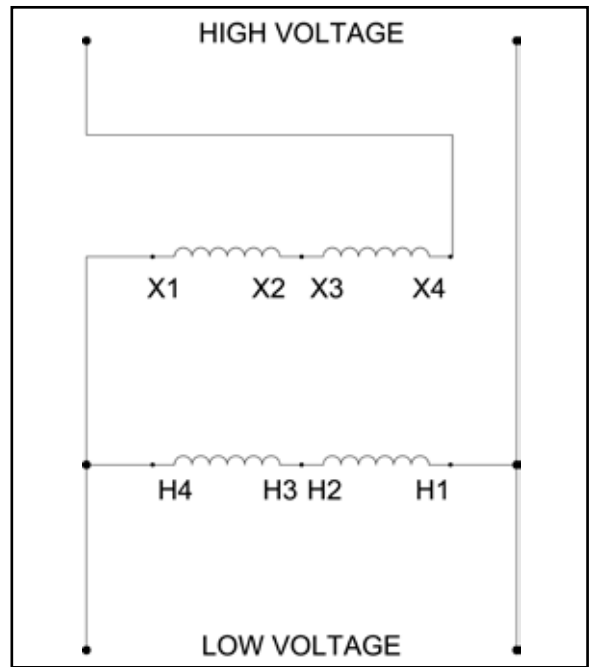
Connection Diagram #1



Connection Diagram #2

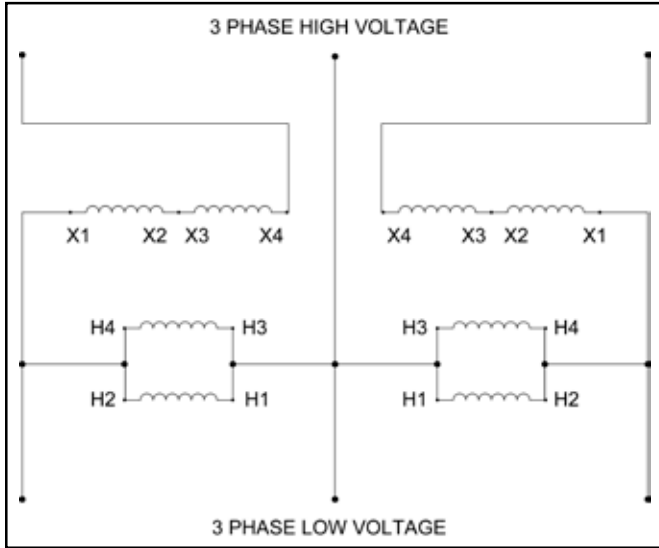


Connection Diagram #3

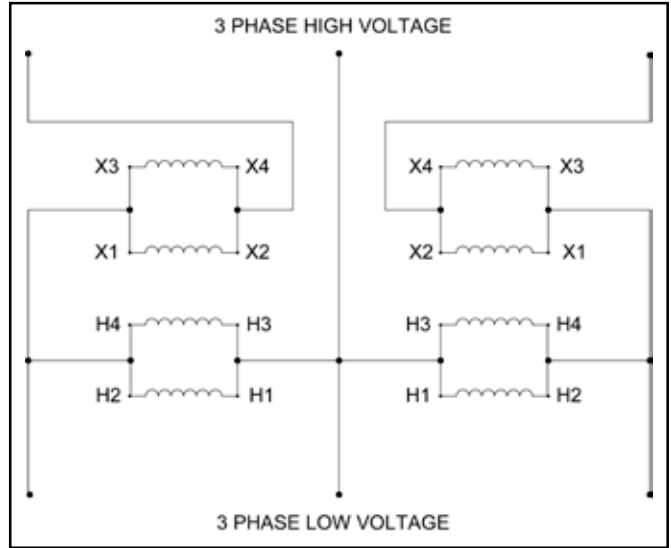


Connection Diagram #4

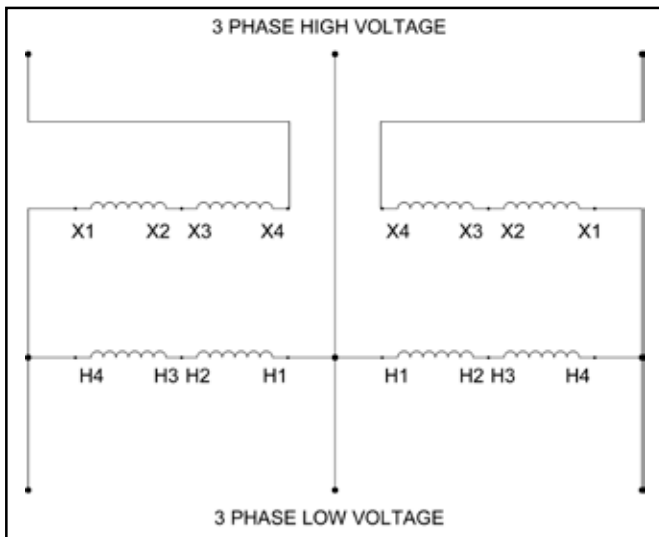
Three Phase Connection Diagrams



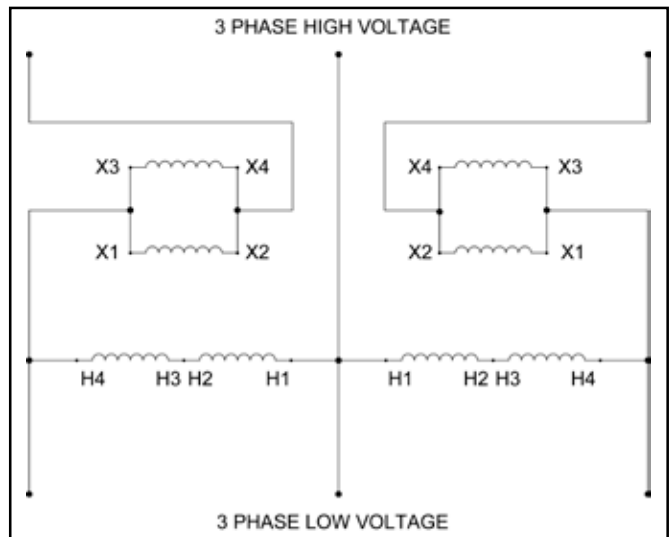
Connection Diagram #5



Connection Diagram #6

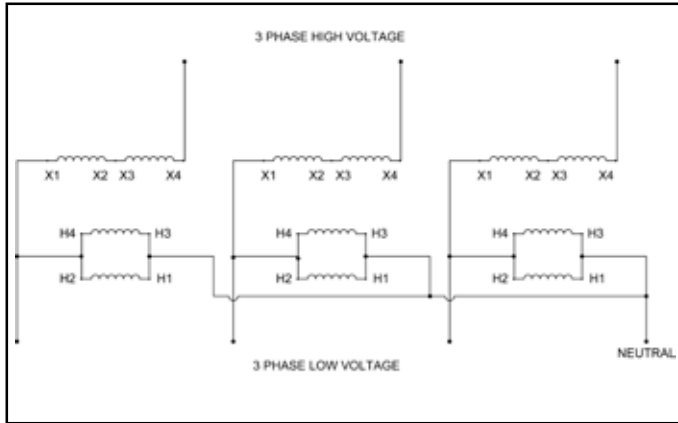


Connection Diagram #7

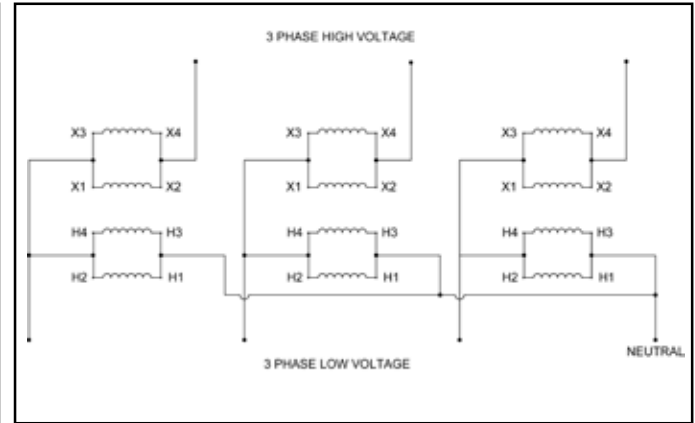


Connection Diagram #8

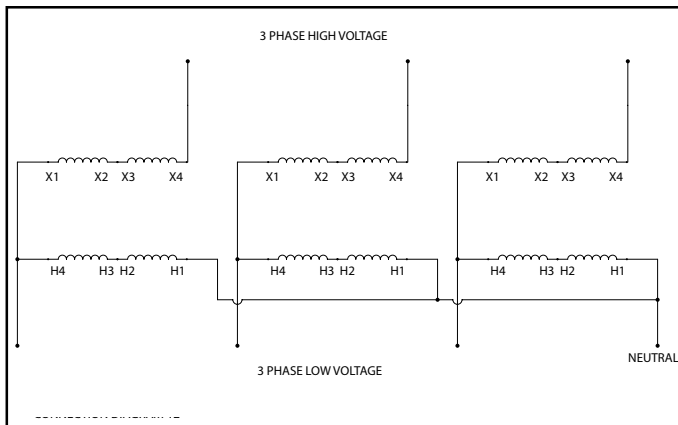
Three Phase Connection Diagrams



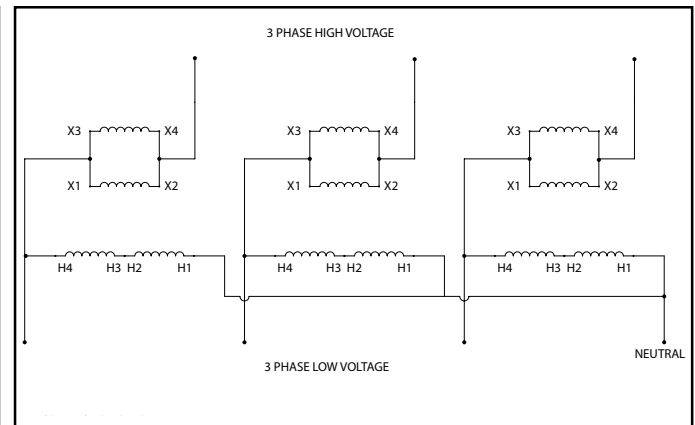
Connection Diagram #9



Connection Diagram #10



Connection Diagram #11



Connection Diagram #12

SECTION 2

Buck-Boost Transformers - Questions & Answers

1. What is a buck-boost transformer?

Buck-boost transformers are small single phase transformers designed to lower (buck) or raise (boost) line voltage from 5-20%. The most common applications for buck-boost transformers include boosting 208 volts to 230 or 240 volts for air conditioning systems, boosting 110 to 120 volts and 240 to 277 volts for lighting applications, heating systems and induction motors of all types. Many applications exist where supply voltages are frequently above or below nominal.

Buck-boost transformers are conventional low voltage, single phase distribution transformers, with standard primary voltages of 120, 240 or 480 volts, and secondary voltages of 12, 16, 24, 32 or 48 volts. They are available in sizes ranging from 50 VA to 10,000 VA. The primary and secondary are wired together to form a single-winding autotransformer. Utilizing the additive and subtractive polarity, small amounts of voltage are either added or subtracted from a distribution circuit.

2. How does a buck-boost transformer differ from an isolating transformer?

A buck-boost transformer is manufactured as an isolating transformer, with separable primary and secondary, and is shipped from the factory in that configuration. When the end user at site connects it, the primary is connected to the secondary changing the transformer's electrical characteristics to those of an autotransformer. This provides the smaller voltage correction that is typical of buck-boost. The primary and secondary windings are no longer isolated as they are connected together.

3. What is the difference between a buck-boost transformer and an autotransformer?

As noted above, when the primary and secondary are connected together to buck or boost voltage, the transformer becomes an autotransformer. If the connection between the primary and secondary winding is not made, then the unit remains as an isolation transformer.

Applications

4. Why are they used?

A buck-boost transformer is a simple and effective way of correcting off-standard voltages. Electrical and electronic equipment is designed to operate within a standard tolerance of nominal supply voltages. When the supply voltage is consistently too high or low - typically more than 10%, the equipment will operate below peak efficiency.

5. Can buck-boost transformers be used to power low voltage circuits?

Installed as two-winding, isolation transformers, these units can be used to power low voltage circuits including control, lighting circuits, or other low voltage applications that require 12, 16, 24, 32 or 48 volts output, consistent with the secondary of these designs. The unit is connected as an isolating transformer and the nameplate kVA rating is the transformer's capacity.

Operation and Construction

6. Why do buck-boost transformers have 4 windings?

A four winding buck-boost transformer with 2 primary and 2 secondary windings can be connected eight different ways to provide a multitude of voltages and KVA's. This provides the flexibility necessary for the broad variety of applications. A two-winding transformer can only be connected in two different ways.

7. Will a Buck-Boost transformer stabilize voltage?

Buck-boost transformers will not stabilize supply line voltage. The output voltage of a buck-boost is a function of the input voltage. If the input voltage varies, then the output voltage will also vary by the same percentage.

Load Data

8. Are there any restrictions on the type of load that can be operated from a Buck-Boost transformer?

There are no restrictions as to application for Buck-Boost, including single or three-phase motor loads.

9. As an Autotransformer, how can a Buck-Boost transformer supply kVA power?

This is a function of adding voltage - a small amount of voltage is added and a small amount of corresponding power capacity is added as well. For example, if the transformer is connected in such a way that 22 volts is added to a 208 volt primary, a 230 volt output will result.

Using this example, the calculation for autotransformer kVA is as follows:

$$\text{kVA} = \frac{\text{Output Volts} \times \text{Secondary Amps}}{1000}$$

$$\text{kVA} = \frac{230\text{V} \times 41.67 \text{ Amps}}{1000} = 9.58 \text{ KVA}$$

10. How are single phase and three phase load amps and load kVA calculated?

$$\text{Single phase Amps} = \frac{\text{kVA} \times 1000}{\text{Volts}}$$

$$\text{Three phase Amps} = \frac{\text{kVA} \times 1000}{\text{Volts} \times 1.73}$$

$$\text{Single phase kVA} = \frac{\text{Volts} \times \text{Amps}}{1000}$$

$$\text{Three phase kVA} = \frac{\text{Volts} \times \text{Amps} \times 1.73}{1000}$$

Three Phase

11. Can Buck-Boost transformers be used on three phase systems?

Interconnecting two or three single phase units will readily accommodate three phase systems - refer to the corresponding three phase section in this catalog. The number of units to be used in a three phase installation depends on the number of wires in the supply line. If the three phase supply is 4-wire wye, then three buck-boost transformers are required. If the three phase supply is 3-wire wye (neutral not available), two buck-boost transformers are needed.

12. Should Buck-Boost transformers be used to develop three phase 4 wire wye circuits from three phase 3 wire delta circuits?

No - a three-phase "wye" buck-boost transformer connection should be used only on a 4-wire source of supply. A delta to wye connection does not provide adequate current capacity to accommodate unbalanced currents flowing in the neutral wire of the 4-wire circuit.

13. Why isn't a 'closed delta' Buck-Boost connection recommended?

This connection requires more kVA power than a "wye" or open delta connection and phase shifting occurs on the output. The closed delta connection is more expensive and electrically inferior to other three phase connections.

Connection and Frequency

14. How do you know how to connect a Buck-Boost transformer?

A connection chart is provided with each unit that shows how to make the corresponding connections. These same charts are also shown in this section.

15. Can 60 Hertz Buck-Boost transformers be operated on 50 Hertz?

Due to 'saturation' of the core, 60 Hertz buck-boost transformers should only be operated at 60 Hertz, and not 50 Hertz. Units manufactured as 50 Hertz units will however, operate at 60 Hertz.

Nameplate Data

17. Why are buck-boost transformers shipped from the factory connected as isolating transformers, and not pre-connected autotransformers?

The same 4-winding buck-boost transformer can be connected eight different ways to provide a multitude of voltage combinations. The correct connection can best be determined by the user when assessing the supply voltage at site.

18. Why is the isolation transformer kVA rating shown on the nameplate instead of the autotransformer kVA rating?

Shipped as an isolating transformer, the nameplate is required to show the performance characteristics accordingly. Additionally, as an autotransformer, the eight different combinations of voltages and kVA's would be impractical to list on the nameplate. A connection chart, listing the various connections, is included with each unit.

Sound Levels

19. How does the sound level differ between Buck-Boost and isolation transformers?

Buck-boost transformers, connected as autotransformers, will be quieter than an equivalent isolation transformer capable of handling the same load. The isolation transformer would have to be physically larger than the buck-boost transformer, and smaller transformers are quieter than larger ones. For example, a 10 kVA is 35 dba and a 75 kVA is 50 dba.

Cost and Life Expectancy

20. How does the costs compare between a Buck-Boost transformer and an Isolation transformer handling the same load?

For most buck-boost applications, the savings are about 75% compared to the use of an isolation transformer for the same application.

21. What is the life expectancy of a Buck-Boost transformer?

Buck-boost transformers have exactly the same life expectancy as other dry-type transformers.

22. Buck-Boost transformers are almost always installed as autotransformers. Does the National Electrical Code (NEC) permit the use of autotransformers?

Autotransformers are very common and recognized by all the safety and standard authorities. You can refer to N.E.C. Article 450-4, "Autotransformers 600 Volts, Nominal, or Less", as a reference publication. Item (a) details overcurrent protection for an autotransformer and item (b) covers an isolation transformer being field connected as an autotransformer for a buck-boost application.

23. When a Buck-Boost transformer is connected as an autotransformer, what is the procedure for determining the current rating of the overcurrent protective device, such as the fuse or circuit breaker?

The NEC Article 450-4 outlines overcurrent protection for autotransformers. It is reproduced as follows:
"NEC 450-4 - Autotransformers 600 Volts, Nominal, or Less

(a) Overcurrent Protection. Each autotransformer 600 volts, nominal, or less shall be protected by an individual overcurrent device installed in series with each ungrounded input conductor. Such overcurrent device shall be rated or set at not more than 125 percent of the rated full load input current of the autotransformer. An overcurrent device shall not be installed in series with the shunt winding.

Exception: Where the rated input current of an autotransformer is 9 amperes or more and 125 percent of this current does not correspond to a standard rating of a fuse or non-adjustable circuit breaker; the next higher standard rating described in our section shall be permitted. When the rated input current is less than 9 amperes, an overcurrent device rated or set at not more than 167 percent of the input current shall be permitted.

(b) Transformer Field-Connected as an autotransformer. A transformer field-connected as autotransformers shall be identified for use at "elevated voltage".

Example: A 1 kVA transformer, Catalog No. Q1C0ERCB, is rated 120 x 240 to 12 x 24 volts. It is to be connected as an autotransformer to raise 208 to 230 volts single phase. When connected as an autotransformer in this application, the kVA rating is increased to 9.58 kVA, or 9,580 VA. This is the rating to be used for determining the full load input amps and the corresponding size of the overcurrent protection device, either a fuse or breaker.

$$\text{Full load input amps} = 9,580 \text{ Volt Amps} = 46 \text{ Amp, } 208 \text{ Volts}$$

When the full load current is greater than 9 amps, the overcurrent protection device - usually a fuse or non-adjustable breaker, the current rating can be up to 125 percent of the full load rating of the autotransformer input current.

$$\text{Max. current rating of the overcurrent device} = 46 \text{ amps} \times 125\% = 57.5 \text{ amps}$$

The National Electrical Code, Article 450-4 (a) Exception, permits the use of the next higher standard ampere rating of the overcurrent device. This is shown in Article 240-6 of the N.E.C.

$$\text{Max. size of the fuse or circuit breaker} = 60 \text{ amps}$$







SECTION 3

HPS CENTURION R[®] REACTORS AND RC DV/DT FILTERS

Single and Three Phase

Why Choose a Line Reactor?	98
Construction Features	100
<u>HPS Centurion R Reactors</u>	
Specifications	101
Part Number Guide.....	102
Selection Tables	102
Core & Coil Specification Table	105
Enclosed Specification Table	111
Connection Diagrams	120
Termination Details	120
Core & Coil Reference Drawings	121
<u>RC DV/DT Filter</u>	
Applications	117
Specifications	118
Selection Table	119
Core & Coil Reference Drawings	122

Why Choose A Reactor?

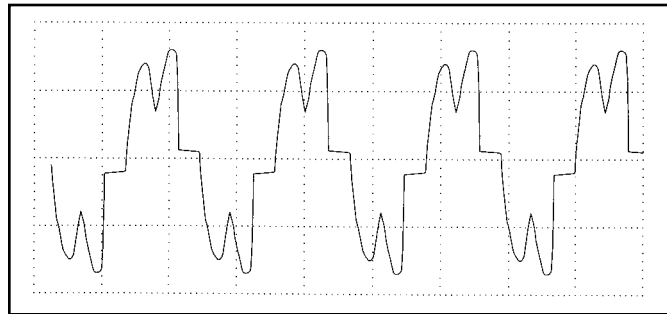
HPS reactors are designed to address issues associated with variable frequency drives.

- Attenuate voltage and current transients to reduce voltage notching
- Improve True Power Factor
- Mitigate drive nuisance tripping
- Minimize harmonic current
- On output, reduce the motor temperature & audible noise
- Enhance the overall performance, life expectancy, and system efficiency
- Mitigate motor bearing failures

MINIMIZE HARMONIC DISTORTION

Non-linear current waveforms contain harmonic distortion. By using an HPS reactor you can limit the inrush current to the rectifier in your drive. The peak current is reduced, the waveform is rounded and harmonic distortion is minimized. Current distortion typically is reduced to 30%.

Severe harmonic current distortion can also cause the system voltage to distort. Often, high peak harmonic current drawn by the drive, causes "flat-topping" of the voltage waveform. Adding a reactor controls the current component, and voltage harmonic distortion is therefore reduced.



The total harmonic distortion of variable speed drives produces complex wave shapes such as the phase current shown above. The challenge for today's designers is to effectively minimize these line problems.

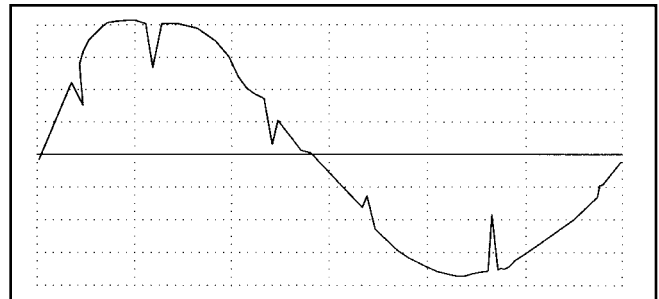
SHORT CIRCUIT CAPABILITY

HPS reactors can withstand current under short circuit conditions, reducing the potential of severe damage to electronic equipment. In a short circuit, the inductance of the coil is necessary to limit overcurrent after the core has saturated. HPS has extensive experience in designing and testing dry-type transformers to withstand short circuits for the most demanding applications, and this experience has been applied to line reactor design.

REDUCE LINE NOTCHING

Whenever AC power is converted to DC by a rectifier using a non-linear device, such as an SCR, the process of commutation occurs. The result is a notch in the voltage waveform. The number of notches is a function of both the number of pulses and the number of SCR's in the rectifier.

Reactors are used to provide the inductive reactance needed to reduce notching, which can adversely effect equipment operation.



A voltage waveform illustrating line notching. Reactors are used to provide the inductive reactance needed to reduce such notches.

Why Choose A Reactor continued...

IMPEDANCE RATINGS

Definition:

$$\% Z = \frac{(V_D \times 100)}{V_S} \times \sqrt{3}$$

Z = IMPEDANCE (three phase)

V_D = VOLTAGE DROP ACROSS REACTOR

V_S = VOLTAGE SUPPLY FOR RATED CURRENT TO FLOW THROUGH REACTOR

SELECTION - 3% OR 5% IMPEDANCE REACTOR

Choose 3% impedance reactors to satisfy most solid state applications in North America. Reactors rated for 3% impedance are ideal for absorbing normal line spikes and motor current surges, and will prevent most nuisance line tripping of circuit protection devices or equipment.

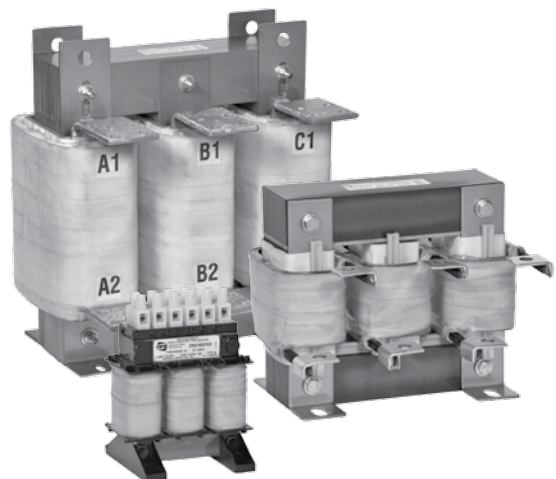
Where considerably higher line disturbances are present, a 5% impedance reactor may be required. Additionally, if the application is overseas, or when it is necessary to comply to IEEE 519, the higher impedance reactor is recommended. As part of an overall solutions, these units may also be selected to further reduce harmonic current and frequencies if desirable or to both extend motor life and diminish motor noise.

LINE REACTORS OR DRIVE ISOLATION TRANSFORMERS?

When true line isolation is required, such as limiting short circuit current, or where it is necessary to step up or step down voltage, use a drive isolation transformer. HPS carries an extensive line of drive isolation transformers in stock. Refer to Section 4 for information on Drive Isolation transformers.

HARMONIC WITHSTAND:

HPS reactors are designed to withstand typical harmonics associated with both the input and output side of AC variable speed drives including IGBT type inverter drives. For additional information, contact our sales office.



Reactor Construction Features

CORE

The quality and performance of a reactor is fundamentally dependant on its ability to withstand harmonics and transients in what is clearly a difficult environment. The bonding and clamping techniques of the gapped core also significantly impacts its performance characteristics.

HPS has paid particular attention to these basics to ensure both reliable and consistent performance.

Core materials, manufacturing and assembly processes have been carefully evaluated to produce optimum losses and sound levels necessary for this product.

COILS

Conductors are precision wound for optimum short circuit withstandability and electrical balance are used throughout the reactor lines. Choice of conductors, winding techniques and cooling ducts are precisely selected to assure the highest continuous, reliable performance.

INSULATION SYSTEM

HPS Reactors are designed to meet the most difficult temperature environments.

For further information on temperature rises, please consult our sales offices.

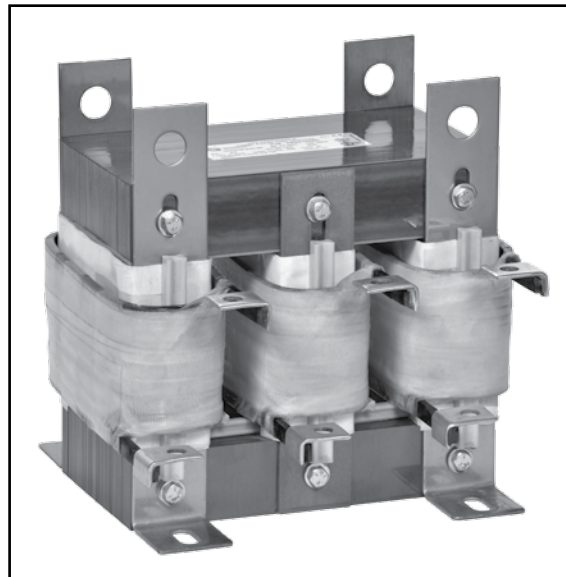
SPECIALS

For special applications or for any features that you may require beyond the standard line listed, please contact our sales offices.

VPI IMPREGNATION

Every reactor is fully VPI vacuum and pressure processed with VT (vinyl-toluene) Polyester Resin. This modern, vinyl-toluene based resin with its thicker build, offers significant benefits for electrical, mechanical and thermal properties. This impregnation process and material results in a much improved dielectric constant, dissipation factor, bonding strength and dielectric breakdown (volts per mil) than any other impregnation material including the more traditional oil modified epoxies and varnishes.

Vacuum impregnation is considered vital for the integrity of electrical equipment located in such sensitive locations. The core and coil assembly is finished with a clear resin.



TERMINATIONS

Custom connections are provided for in several ways. Finger-proof-terminal blocks are provided on select model ranges, and terminal pads are supplied on higher current ratings. Refer to the dimensional summary for details. All connections are brazed to ensure electrical integrity.

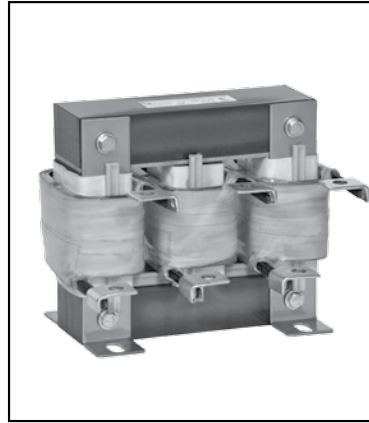
INPUT AND OUTPUT SIDE REACTORS

HPS Reactors are designed for both the input and output side of variable speed drives including Insulated Gate Bipolar Transistor (IGBT) type inverters.



HPS Centurion® R REACTORS

SINGLE AND THREE PHASE STANDARD SPECIFICATIONS



	Core and Coil	Enclosed
UL Listed	File: E61431 up to 600 V	File: E61431 up to 600 V
CSA Certified	File: LR3902	File: LR3902
Ratings	Nominal inductance +15% - 10% @ rated current. 95% of nominal inductance @ 110% rated current. 80% of nominal inductance @150% rated current. 50% of nominal inductance @ 200% of rated current.	Nominal inductance +15% - 10% @ rated current. 95% of nominal inductance @ 110% rated current. 80% of nominal inductance @150% rated current. 50% of nominal inductance @ 200% of rated current.
Power Rating	0.5 to 1000 HP (0.37 - 746 kW)	0.5 to 1000 HP (0.37 - 746 kW)
Frequency	50/60 Hz	50/60 Hz
Insulation System	130°C (70°C rise) up to 40 Amps (50°C ambient) 180°C or 220°C (115°C rise) above 40 Amps (50°C ambient)	130°C (70°C rise) up to 40 Amps (50°C ambient) 180°C or 220°C (115°C rise) above 40 Amps (50°C ambient)
Enclosure Type	Type 1 enclosure kit with hardware as option	Type 1 (optional Type 3R available)
Enclosure Finish		ANSI 61 Grey, UL50
Termination	Terminal blocks are provided on select model ranges, and terminal pads are supplied on higher current ratings.	Terminal blocks are provided on select model ranges, and terminal pads are supplied on higher current ratings.
Impedance	Typically 1.5%, 3% and 5%	Typically 1.5%, 3% and 5%
Mounting	Floor mounting available on all units. Wall and ceiling mounting available on units up to 200 lbs.	Floor mounting available on all units. Wall and ceiling mounting available on enclosure style N1, N2, CH2 and CH4 only.
Sound Level	Meets NEMA ST-20 standards	Meets NEMA ST-20 standards

HPS Centurion R Reactor Selection Tables

HPS Centurion R Part Number Guide



Open or Enclosed
C for Core & Coil
E for Enclosed

Relative Impedance

Rated Current
D for Decimal
i.e. 02D4 is 2.4

Product Line

Single Phase Reactor Selection Tables

HP Rating	120 Volt - 60Hz					
	3% Impedance			5% Impedance		
	Amps	Core & Coil P/N	Enclosed P/N	Amps	Core & Coil P/N	Enclosed P/N
0.25	2.08	CRX03D5BC	CRX03D5BE	2.08	CRX03D5CC	CRX03D5CE
0.5	4.16	CRX07D5AC	CRX07D5AE	4.16	CRX06D6CC	CRX06D6CE
0.75	6.25	CRX10D7BC	CRX10D7BE	6.25	CRX0017AC	CRX0017AE
1	8.33	CRX0024CC	CRX0024CE	8.33	CRX0022AC	CRX0022AE
1.5	12.5	CRX0024CC	CRX0024CE	12.5	CRX16D7DC	CRX16D7DE
2	16.7	CRX0024AC	CRX0024AE	16.7	CRX16D7BC	CRX16D7BE
3	25	CRX0031AC	CRX0031AE	25	CRX0024AC	CRX0024AE
5	41.6	CRX0059AC	CRX0059AE	41.6	CRX0059CC	CRX0059CE
7.5	62.5	CRX0075AC	CRX0075AE	62.5	CRX0059AC	CRX0059AE
10	83.3	CRX0114AC	CRX0114AE	83.3	CRX0088AC	CRX0088AE

HP Rating	240 Volt - 60Hz					
	3% Impedance			5% Impedance		
	Amps	Core & Coil P/N	Enclosed P/N	Amps	Core & Coil P/N	Enclosed P/N
0.25	1.04	CRX02D1AC	CRX02D1AE	1.04	CRX0002CC	CRX0002CE
0.5	2.08	CRX02D4DC	CRX02D4DE	2.08	CRX02D7AC	CRX02D7AE
0.75	3.13	CRX03D5BC	CRX03D5BE	3.13	CRX02D4DC	CRX02D4DE
1	4.17	CRX0011CC	CRX0011CE	4.17	CRX04D8AC	CRX04D8AE
1.5	6.25	CRX06D6CC	CRX06D6CE	6.25	CRX0011CC	CRX0011CE
2	8.33	CRX10D7DC	CRX10D7DE	8.33	CRX0011AC	CRX0011AE
3	12.5	CRX10D7BC	CRX10D7BE	12.5	CRX0017AC	CRX0017AE
5	20.8	CRX0024CC	CRX0024CE	20.8	CRX0021AC	CRX0021AE
7.5	31.2	CRX0052BC	CRX0052BE	31.2	CRX0034AC	CRX0034AE
10	41.6	CRX0059CC	CRX0059CE	41.6	CRX0052AC	CRX0052AE

Three Phase Reactor Selection Tables

HP Rating	208 Volt - 60Hz					
	3% Impedance			5% Impedance		
	Amps	Core & Coil P/N	Enclosed P/N	Amps	Core & Coil P/N	Enclosed P/N
0.5	2.4	CRX02D4BC	CRX02D4BE	2.4	CRX02D4DC	CRX02D4DE
0.75	3.5	CRX03D5AC	CRX03D5AE	3.5	CRX03D5DC	CRX03D5DE
1	4.6	CRX04D6BC	CRX04D6BE	4.6	CRX04D6CC	CRX04D6CE
1.5	6.6	CRX06D6BC	CRX06D6BE	6.6	CRX06D6CC	CRX06D6CE
2	7.5	CRX07D5AC	CRX07D5AE	7.5	CRX07D5DC	CRX07D5DE
3	10.7	CRX10D7BC	CRX10D7BE	10.7	CRX10D7DC	CRX10D7DE
5	16.7	CRX16D7BC	CRX16D7BE	16.7	CRX16D7DC	CRX16D7DE
7.5	24	CRX0024AC	CRX0024AE	24	CRX0024CC	CRX0024CE
10	31	CRX0031BC	CRX0031BE	31	CRX0031CC	CRX0031CE
15	46	CRX0046BC	CRX0046BE	46	CRX0046CC	CRX0046CE
20	59	CRX0059AC	CRX0059AE	59	CRX0059CC	CRX0059CE
25	75	CRX0075AC	CRX0075AE	75	CRX0075CC	CRX0075CE
30	88	CRX0088BC	CRX0088BE	88	CRX0088CC	CRX0088CE
40	114	CRX0114AC	CRX0114AE	114	CRX0114CC	CRX0114CE
50	143	CRX0143AC	CRX0143AE	143	CRX0143DC	CRX0143DE
60	170	CRX0170BC	CRX0170BE	170	CRX0170DC	CRX0170DE
75	211	CRX0211BC	CRX0211BE	211	CRX0211CC	CRX0211CE
100	273	CRX0273BC	CRX0273BE	273	CRX0273CC	CRX0273CE
125	343	CRX0343BC	CRX0343BE	343	CRX0343CC	CRX0343CE
150	396	CRX0396BC	CRX0396BE	396	CRX0396DC	CRX0396DE
200	528	CRX0528BC	CRX0528BE	528	CRX0528CC	CRX0528CE

HP Rating	240 Volt - 60Hz					
	3% Impedance			5% Impedance		
	Amps	Core & Coil P/N	Enclosed P/N	Amps	Core & Coil P/N	Enclosed P/N
0.5	2.4	CRX02D4AC	CRX02D4AE	2.4	CRX02D4CC	CRX02D4CE
0.75	3.5	CRX03D5BC	CRX03D5BE	3.5	CRX03D5CC	CRX03D5CE
1	4.6	CRX04D6AC	CRX04D6AE	4.6	CRX04D6DC	CRX04D6DE
1.5	6.6	CRX06D6AC	CRX06D6AE	6.6	CRX06D6DC	CRX06D6DE
2	7.5	CRX07D5BC	CRX07D5BE	7.5	CRX07D5CC	CRX07D5CE
3	10.7	CRX10D7AC	CRX10D7AE	10.7	CRX10D7CC	CRX10D7CE
5	16.7	CRX16D7AC	CRX16D7AE	16.7	CRX16D7CC	CRX16D7CE
7.5	24	CRX0024BC	CRX0024BE	24	CRX0024DC	CRX0024DE
10	31	CRX0031AC	CRX0031AE	31	CRX0031DC	CRX0031DE
15	46	CRX0046AC	CRX0046AE	46	CRX0046DC	CRX0046DE
20	59	CRX0059BC	CRX0059BE	59	CRX0059DC	CRX0059DE
25	75	CRX0075BC	CRX0075BE	75	CRX0075DC	CRX0075DE
30	88	CRX0088AC	CRX0088AE	88	CRX0088DC	CRX0088DE
40	114	CRX0114BC	CRX0114BE	114	CRX0114DC	CRX0114DE
50	143	CRX0143BC	CRX0143BE	143	CRX0143CC	CRX0143CE
60	170	CRX0170AC	CRX0170AE	170	CRX0170CC	CRX0170CE
75	211	CRX0211AC	CRX0211AE	211	CRX0211DC	CRX0211DE
100	273	CRX0273AC	CRX0273AE	273	CRX0273DC	CRX0273DE
125	343	CRX0343AC	CRX0343AE	343	CRX0343DC	CRX0343DE
150	396	CRX0396AC	CRX0396AE	396	CRX0396CC	CRX0396CE
200	528	CRX0528AC	CRX0528AE	528	CRX0528DC	CRX0528DE



HP Rating	480 Volt - 60Hz								
	1.5% Impedance			3% Impedance			5% Impedance		
	Amps	Core & Coil P/N	Enclosed P/N	Amps	Core & Coil P/N	Enclosed P/N	Amps	Core & Coil P/N	Enclosed P/N
0.5	2.4	CRX02D4AC	CRX02D4AE	1.1	CRX01D1AC	CRX01D1AE	1.1	CRX01D1BC	CRX01D1BE
0.75	3.5	CRX03D5BC	CRX03D5BE	1.6	CRX01D6AC	CRX01D6AE	1.6	CRX01D6BC	CRX01D6BE
1	4.6	CRX04D6AC	CRX04D6AE	2.1	CRX02D1AC	CRX02D1AE	2.1	CRX02D1BC	CRX02D1BE
1.5	6.6	CRX06D6AC	CRX06D6AE	3	CRX0003AC	CRX0003AE	3	CRX0003BC	CRX0003BE
2	7.5	CRX07D5BC	CRX07D5BE	3.4	CRX03D4AC	CRX03D4AE	3.4	CRX03D4BC	CRX03D4BE
3	10.7	CRX10D7AC	CRX10D7AE	4.8	CRX04D8AC	CRX04D8AE	4.8	CRX04D8BC	CRX04D8BE
5	16.7	CRX16D7AC	CRX16D7AE	7.6	CRX07D6AC	CRX07D6AE	7.6	CRX07D6BC	CRX07D6BE
7.5	24	CRX0024BC	CRX0024BE	11	CRX0011BC	CRX0011BE	11	CRX0011CC	CRX0011CE
10	31	CRX0031AC	CRX0031AE	14	CRX0014AC	CRX0014AE	14	CRX0014BC	CRX0014BE
15	46	CRX0046AC	CRX0046AE	21	CRX0021AC	CRX0021AE	21	CRX0021BC	CRX0021BE
20	59	CRX0059BC	CRX0059BE	27	CRX0027BC	CRX0027BE	27	CRX0027CC	CRX0027CE
25	75	CRX0075BC	CRX0075BE	34	CRX0034AC	CRX0034AE	34	CRX0034BC	CRX0034BE
30	88	CRX0088AC	CRX0088AE	40	CRX0040AC	CRX0040AE	40	CRX0040BC	CRX0040BE
40	114	CRX0114BC	CRX0114BE	52	CRX0052BC	CRX0052BE	52	CRX0052BC	CRX0052DE
50	143	CRX0143BC	CRX0143BE	65	CRX0065AC	CRX0065AE	65	CRX0065BC	CRX0065BE
60	170	CRX0170AC	CRX0170AE	77	CRX0077AC	CRX0077AE	77	CRX0077DC	CRX0077DE
75	211	CRX0211AC	CRX0211AE	96	CRX0096AC	CRX0096AE	96	CRX0096BC	CRX0096BE
100	273	CRX0273AC	CRX0273AE	124	CRX0124AC	CRX0124AE	124	CRX0124BC	CRX0124BE
125	343	CRX0343AC	CRX0343AE	156	CRX0156AC	CRX0156AE	156	CRX0156BC	CRX0156BE
150	396	CRX0396AC	CRX0396AE	180	CRX0180AC	CRX0180AE	180	CRX0180BC	CRX0180BE
200	528	CRX0528AC	CRX0528AE	240	CRX0240AC	CRX0240AE	240	CRX0240BC	CRX0240BE
250	-	-	-	302	CRX0302AC	CRX0302AE	302	CRX0302BC	CRX0302BE
300	-	-	-	361	CRX0361AC	CRX0361AE	361	CRX0361BC	CRX0361BE
350	-	-	-	414	CRX0414AC	CRX0414AE	414	CRX0414BC	CRX0414BE
400	-	-	-	477	CRX0477AC	CRX0477AE	477	CRX0477BC	CRX0477BE
450	-	-	-	515	CRX0515AC	CRX0515AE	515	CRX0515BC	CRX0515BE
500	-	-	-	590	CRX0590AC	CRX0590AE	590	CRX0590BC	CRX0590BE
600	-	-	-	720	CRX0720AC	CRX0720AE	750	CRX0750DC	CRX0750DE
700	-	-	-	840	CRX0840AC	CRX0840AE	900	CRX0900DC	CRX0900DE
800	-	-	-	960	CRX0960AC	CRX0960AE	1000	CRX1000DC	CRX1000DE
900	-	-	-	1080	CRX1080AC	CRX1080AE	1080	CONSULT FACTORY	
1000	-	-	-	1200	CRX1200AC	CRX1200AE	1200	CRX1200DC	CRX1200DE

HP Rating	600 Volt* - 60Hz					
	3% Impedance			5% Impedance		
	Amps	Core & Coil P/N	Enclosed P/N	Amps	Core & Coil P/N	Enclosed P/N
0.5	1	CRX0001AC	CRX0001AE	1	CRX0001BC	CRX0001BE
0.75	1.4	CRX01D4AC	CRX01D4AE	1.4	CRX01D4BC	CRX01D4BE
1	1.8	CRX01D8AC	CRX01D8AE	1.8	CRX01D8BC	CRX01D8BE
1.5	2.6	CRX02D6AC	CRX02D6AE	2.6	CRX02D6BC	CRX02D6BE
2	2.7	CRX02D7AC	CRX02D7AE	2.7	CRX02D7BC	CRX02D7BE
3	3.9	CRX03D9AC	CRX03D9AE	3.9	CRX03D9BC	CRX03D9BE
5	6.1	CRX06D1AC	CRX06D1AE	6.1	CRX06D1BC	CRX06D1BE
7.5	9	CRX0009AC	CRX0009AE	9	CRX0009BC	CRX0009BE
10	11	CRX0011AC	CRX0011AE	11	CRX0011DC	CRX0011DE
15	17	CRX0017AC	CRX0017AE	17	CRX0017BC	CRX0017BE
20	22	CRX0022AC	CRX0022AE	22	CRX0022BC	CRX0022BE
25	27	CRX0027AC	CRX0027AE	27	CRX0027DC	CRX0027DE
30	32	CRX0032AC	CRX0032AE	32	CRX0032BC	CRX0032BE
40	41	CRX0041AC	CRX0041AE	41	CRX0041BC	CRX0041BE
50	52	CRX0052AC	CRX0052AE	52	CRX0052CC	CRX0052CE
60	62	CRX0062AC	CRX0062AE	62	CRX0062BC	CRX0062BE
75	77	CRX0077BC	CRX0077BE	77	CRX0077CC	CRX0077CE
100	99	CRX0099AC	CRX0099AE	99	CRX0099BC	CRX0099BE
125	125	CRX0125AC	CRX0125AE	125	CRX0125BC	CRX0125BE
150	144	CRX0144AC	CRX0144AE	144	CRX0144BC	CRX0144BE
200	192	CRX0192AC	CRX0192AE	192	CRX0192BC	CRX0192BE
250	242	CRX0242AC	CRX0242AE	242	CRX0242BC	CRX0242BE
300	289	CRX0289AC	CRX0289AE	289	CRX0289BC	CRX0289BE
350	336	CRX0336AC	CRX0336AE	336	CRX0336BC	CRX0336BE
400	382	CRX0382AC	CRX0382AE	382	CRX0382BC	CRX0382BE
450	412	CRX0412AC	CRX0412AE	412	CRX0412BC	CRX0412BE
500	472	CRX0472AC	CRX0472AE	472	CRX0472BC	CRX0472BE
600	600	CRX0600CC	CRX0600CE	600	CRX0600EC	CRX0600EE
700	700	CRX0700CC	CRX0700CE	700	CRX0700EC	CRX0700EE
800	750	CRX0750CC	CRX0750CE	750	CRX0750EC	CRX0750EE
900	900	CRX0900CC	CRX0900CE	900	CRX0900EC	CRX0900EE
1000	1000	CRX1000CC	CRX1000CE	1000	CRX1000EC	CRX1000EE
1200	1200	CRX1200CC	CRX1200CE	1200	CRX1200EC	CRX1200EE

*de-rated for 690V



Three Phase Reactor Selection Tables Continued

HP Rating (kW)	380 Volt - 50Hz					
	3% Impedance			5% Impedance		
	Amps	Core & Coil P/N	Enclosed P/N	Amps	Core & Coil P/N	Enclosed P/N
1 (0.75)	2.1	CRX02D1NC	CRX02D1NE	2.1	CRX02D1PC	CRX02D1PE
1.5 (1.1)	3.0	CRX0003NC	CRX0003NE	3.0	CRX0003PC	CRX0003PE
2 (1.5)	3.7	Consult Factory	Consult Factory	3.7	Consult Factory	Consult Factory
3	4.8	CRX04D8NC	CRX04D8NE	4.8	CRX04D8PC	CRX04D8PE
5	8.0	CRX0008NC	CRX0008NE	8.0	CRX0008PC	CRX0008PE
7.5	11.8	CRX11D8NC	CRX11D8NE	11.8	CRX11D8PC	CRX11D8PE
10	15.6	CRX15D6NC	CRX15D6NE	15.6	CRX15D6PC	CRX15D6PE
15	23.0	CRX0023NC	CRX0023NE	23.0	CRX0023PC	CRX0023PE
20	30.5	CRX30D5NC	CRX30D5NE	30.5	CRX30D5PC	CRX30D5PE
25	37.8	CRX37D8NC	CRX37D8NE	37.8	CRX37D8PC	CRX37D8PE
30	45.2	CRX45D2NC	CRX45D2NE	45.2	CRX45D2PC	CRX45D2PE
40	59.8	CRX59D8NC	CRX59D8NE	59.8	CRX59D8PC	CRX59D8PE
50	74.4	CRX74D4NC	CRX74D4NE	74.4	CRX74D4PC	CRX74D4PE
60	89.0	CRX0089NC	CRX0089NE	89.0	CRX0089PC	CRX0089PE
75	110.7	Consult Factory	Consult Factory	110.7	CRX0111PC	CRX0111PE
100	147.0	CRX0147NC	CRX0147NE	147	CRX0147PC	CRX0147PE
125	183.0	CRX0183NC	CRX0183NE	183	CRX0183PC	CRX0183PE
150	219.0	CRX0219NC	CRX0219NE	219	CRX0219PC	CRX0219PE
200	291.0	CRX0291NC	CRX0291NE	291	CRX0291PC	CRX0291PE

HP Rating	525 Volt - 50Hz					
	3% Impedance			5% Impedance		
	Amps	Core & Coil P/N	Enclosed P/N	Amps	Core & Coil P/N	Enclosed P/N
1	2.0	Consult Factory	Consult Factory	2.0	Consult Factory	Consult Factory
1.5	2.0	Consult Factory	Consult Factory	2.0	Consult Factory	Consult Factory
2	4.0	Consult Factory	Consult Factory	4.0	Consult Factory	Consult Factory
3	4.0	Consult Factory	Consult Factory	4.0	Consult Factory	Consult Factory
5	8.0	Consult Factory	Consult Factory	8.0	Consult Factory	Consult Factory
7.5	12.0	Consult Factory	Consult Factory	12.0	Consult Factory	Consult Factory
10	12.0	Consult Factory	Consult Factory	12.0	Consult Factory	Consult Factory
15	18.0	Consult Factory	Consult Factory	18.0	Consult Factory	Consult Factory
20	25.0	Consult Factory	Consult Factory	25.0	Consult Factory	Consult Factory
25	35.0	Consult Factory	Consult Factory	35.0	Consult Factory	Consult Factory
30	35.0	Consult Factory	Consult Factory	35.0	Consult Factory	Consult Factory
40	45.0	Consult Factory	Consult Factory	45.0	Consult Factory	Consult Factory
50	55.0	Consult Factory	Consult Factory	55.0	Consult Factory	Consult Factory
60	80.0	Consult Factory	Consult Factory	80.0	Consult Factory	Consult Factory
75	80.0	Consult Factory	Consult Factory	80.0	Consult Factory	Consult Factory
100	110.0	Consult Factory	Consult Factory	110.0	Consult Factory	Consult Factory
125	130.0	Consult Factory	Consult Factory	130.0	Consult Factory	Consult Factory
150	160.0	Consult Factory	Consult Factory	160.0	Consult Factory	Consult Factory
200	200.0	Consult Factory	Consult Factory	200.0	Consult Factory	Consult Factory

HP Rating	690 Volt - 50Hz					
	3% Impedance			5% Impedance		
	Amps	Core & Coil P/N	Enclosed P/N	Amps	Core & Coil P/N	Enclosed P/N
1	1.2	CRX01D2NC	CRX01D2NE	1.2	Consult Factory	Consult Factory
1.5	1.6	CRX01D6NC	CRX01D6NE	1.7	Consult Factory	Consult Factory
2	2.0	CRX0002NC	CRX0002NE	2.0	Consult Factory	Consult Factory
3	3.4	CRX03D4NC	CRX03D4NE	3.4	Consult Factory	Consult Factory
5	4.5	Consult Factory	Consult Factory	4.5	Consult Factory	Consult Factory
7.5	7.5	CRX07D5NC	CRX07D5NE	7.5	Consult Factory	Consult Factory
10	11.0	CRX0011NC	CRX0011NE	11.0	Consult Factory	Consult Factory
15	14.0	CRX0014NC	CRX0014NE	14.0	Consult Factory	Consult Factory
20	18.0	CRX0018NC	CRX0018NE	18.0	Consult Factory	Consult Factory
25	21.0	CRX0021NC	CRX0021NE	21.0	Consult Factory	Consult Factory
30	25.0	CRX0025NC	CRX0025NE	25.0	Consult Factory	Consult Factory
40	33.0	CRX0033NC	CRX0033NE	33.0	Consult Factory	Consult Factory
50	45.0	CRX0045NC	CRX0045NE	45.0	Consult Factory	Consult Factory
60	55.0	CRX0055NC	CRX0055NE	55.0	Consult Factory	Consult Factory
75	65.0	CRX0065NC	CRX0065NE	65.0	Consult Factory	Consult Factory
100	80.0	CRX0080NC	CRX0080NE	80.0	Consult Factory	Consult Factory
125	96.0	CRX0096NC	CRX0096NE	100.0	Consult Factory	Consult Factory
150	130.0	CRX0130NC	CRX0130NE	130.0	Consult Factory	Consult Factory
200	160.0	CRX0160NC	CRX0160NE	160.0	Consult Factory	Consult Factory

SECTION 3



Standard Three Phase Reactor Core & Coil Specification Charts

60 Hz

Current (Amps)	Part Number	Inductance (mH)	Watt Loss	Dimensions					Mtg Slot/ Hole Size	Dim. Fig. # (pg 121)	Termination Style Ref. # (pg 120)	Frame Size	Enclosure P/N	Weight (lb)
				Width	Depth	Height	Mtg. Width	Mtg. Depth						
1	CRX0001AC	27.20	21	4.13	2.29	5.13	2.81	1.79	0.28 x 0.38	1	1	1A	CREN1	2.39
	CRX0001BC	47.09	12	4.13	2.29	5.13	2.81	1.79	0.28 x 0.38	1	1	1A	CREN1	2.3
1.1	CRX01D1AC	20.36	12	4.13	2.29	5.13	2.81	1.79	0.28 x 0.38	1	1	1A	CREN1	2.23
	CRX01D1BC	33.94	15	4.13	2.29	5.13	2.81	1.79	0.28 x 0.38	1	1	1A	CREN1	2.33
1.4	CRX01D4AC	20.36	12	4.13	2.29	5.13	2.81	1.79	0.28 x 0.38	1	1	1A	CREN1	2.23
	CRX01D4BC	33.94	15	4.13	2.29	5.13	2.81	1.79	0.28 x 0.38	1	1	1A	CREN1	2.33
1.6	CRX01D6AC	14.91	15	4.13	2.29	5.13	2.81	1.79	0.28 x 0.38	1	1	1A	CREN1	2.26
	CRX01D6BC	23.55	12	4.13	2.29	5.13	2.81	1.79	0.28 x 0.38	1	1	1A	CREN1	2.36
1.8	CRX01D8AC	14.91	15	4.13	2.29	5.13	2.81	1.79	0.28 x 0.38	1	1	1A	CREN1	2.26
	CRX01D8BC	27.20	21	4.13	2.29	5.13	2.81	1.79	0.28 x 0.38	1	1	1A	CREN1	2.39
2	CRX0002CC	20.00	15	4.13	2.29	5.13	2.81	1.79	0.28 x 0.38	1	1	1A	CREN1	2.99
2.1	CRX02D1AC	10.61	19	4.13	2.29	5.13	2.81	1.79	0.28 x 0.38	1	1	1A	CREN1	2.39
	CRX02D1BC	17.83	21	4.13	2.29	5.13	2.81	1.79	0.28 x 0.38	1	1	1A	CREN1	2.73
2.4	CRX02D4AC	4.67	29	4.13	2.29	5.13	2.81	1.79	0.28 x 0.38	1	1	1A	CREN1	2.74
	CRX02D4BC	4.08	9	4.13	2.29	5.13	2.81	1.79	0.28 x 0.38	1	1	1A	CREN1	2.2
	CRX02D4CC	7.06	22	4.13	2.29	5.13	2.81	1.79	0.28 x 0.38	1	1	1A	CREN1	2.53
	CRX02D4DC	7.06	22	4.13	2.29	5.13	2.81	1.79	0.28 x 0.38	1	1	1A	CREN1	2.53
2.6	CRX02D6AC	10.61	35	4.13	2.29	5.13	2.81	1.79	0.28 x 0.38	1	1	1A	CREN1	2.56
	CRX02D6BC	17.83	21	4.13	2.29	5.13	2.81	1.79	0.28 x 0.38	1	1	1A	CREN1	2.73
2.7	CRX02D7AC	10.61	19	4.13	2.29	5.13	2.81	1.79	0.28 x 0.38	1	1	1A	CREN1	2.39
	CRX02D7BC	17.83	21	4.13	2.29	5.13	2.81	1.79	0.28 x 0.38	1	1	1A	CREN1	2.73
3	CRX0003AC	7.06	22	4.13	2.29	5.13	2.81	1.79	0.28 x 0.38	1	1	1A	CREN1	2.53
	CRX0003BC	10.61	35	4.13	2.29	5.13	2.81	1.79	0.28 x 0.38	1	1	1A	CREN1	2.56
3.4	CRX03D4AC	7.06	22	4.13	2.29	5.13	2.81	1.79	0.28 x 0.38	1	1	1A	CREN1	2.53
	CRX03D4BC	10.61	35	4.13	2.29	5.13	2.81	1.79	0.28 x 0.38	1	1	1A	CREN1	2.56
3.5	CRX03D5AC	2.80	15	4.13	2.29	5.13	2.81	1.79	0.28 x 0.38	1	1	1A	CREN1	2.21
	CRX03D5BC	3.55	18	4.13	2.29	5.13	2.81	1.79	0.28 x 0.38	1	1	1A	CREN1	2.47
	CRX03D5CC	5.09	40	6.50	5.00	6.13	4.38	4.00	0.28 x 0.38	1	2	1D	CREN1	10.99
	CRX03D5DC	4.67	29	4.13	2.29	5.13	2.81	1.79	0.28 x 0.38	1	1	1A	CREN1	2.74
3.9	CRX03D9AC	7.06	22	4.13	2.29	5.13	2.81	1.79	0.28 x 0.38	1	1	1A	CREN1	2.53
	CRX03D9BC	10.61	35	4.13	2.29	5.13	2.81	1.79	0.28 x 0.38	1	1	1A	CREN1	2.56
4	CRX0004CC	9.10	26	4.13	2.29	5.13	2.81	1.79	0.28 x 0.38	1	1	1A	CREN1	2.99
4.6	CRX04D6AC	2.13	15	4.13	2.29	5.13	2.81	1.79	0.28 x 0.38	1	1	1A	CREN1	2.25
	CRX04D6BC	2.13	15	4.13	2.29	5.13	2.81	1.79	0.28 x 0.38	1	1	1A	CREN1	2.25
	CRX04D6CC	3.55	18	4.13	2.29	5.13	2.81	1.79	0.28 x 0.38	1	1	1A	CREN1	2.47
	CRX04D6DC	4.67	29	4.13	2.29	5.13	2.81	1.79	0.28 x 0.38	1	1	1A	CREN1	2.74
4.8	CRX04D8AC	4.70	22	4.13	2.29	5.13	2.81	1.79	0.28 x 0.38	1	1	1A	CREN1	2.56
	CRX04D8BC	7.78	35	4.13	3.51	5.13	2.87	2.63	0.28 x 0.38	1	1	1B	CREN1	4.45
6.1	CRX06D1AC	4.67	29	4.13	2.29	5.13	2.81	1.79	0.28 x 0.38	1	1	1A	CREN1	2.74
	CRX06D1BC	7.78	35	4.13	3.51	5.13	2.87	2.63	0.28 x 0.38	1	1	1B	CREN1	4.45
6.6	CRX06D6AC	1.48	18	4.13	2.29	5.13	2.81	1.79	0.28 x 0.38	1	1	1A	CREN1	2.35
	CRX06D6BC	1.48	18	4.13	2.29	5.13	2.81	1.79	0.28 x 0.38	1	1	1A	CREN1	2.35
	CRX06D6CC	2.33	24	4.13	2.29	5.13	2.81	1.79	0.28 x 0.38	1	1	1A	CREN1	2.65
	CRX06D6DC	3.06	31	4.13	3.51	5.13	2.87	2.63	0.28 x 0.38	1	1	1B	CREN1	4.43
7.5	CRX07D5AC	1.31	18	4.13	2.29	5.13	2.81	1.79	0.28 x 0.38	1	1	1A	CREN1	2.44
	CRX07D5BC	1.53	25	4.13	3.51	5.38	2.87	2.63	0.28 x 0.38	1	2	1C	CREN1	4.26
	CRX07D5CC	2.33	24	4.13	2.29	5.13	2.81	1.79	0.28 x 0.38	1	1	1A	CREN1	2.65
	CRX07D5DC	2.33	24	4.13	2.29	5.13	2.81	1.79	0.28 x 0.38	1	1	1A	CREN1	2.65
7.6	CRX07D6AC	3.06	31	4.13	3.51	5.13	2.87	2.63	0.28 x 0.38	1	1	1B	CREN1	4.43
	CRX07D6BC	5.09	40	6.50	5.00	6.13	4.38	4.00	0.28 x 0.38	1	2	1D	CREN1	10.99

All dimensions in inches

SECTION 3



Standard Three Phase Reactor Core & Coil Specification Charts

60 Hz

Current (Amps)	Part Number	Inductance (mH)	Watt Loss	Dimensions					Mtg Slot/Hole Size	Dim. Fig. # (pg 121)	Termination Style Ref. # (pg 120)	Frame Size	Enclosure P/N	Weight (lb)
				Width	Depth	Height	Mtg. Width	Mtg. Depth						
8	CRX0008CC	7.50	39	6.50	5.00	6.13	4.38	4.00	0.28 x 0.38	1	2	1D	CREN1	11.61
9	CRX0009AC	3.06	31	4.13	3.51	5.13	2.87	2.63	0.28 x 0.38	1	1	1B	CREN1	4.43
	CRX0009BC	5.09	40	6.50	5.00	6.13	4.38	4.00	0.28 x 0.38	1	2	1D	CREN1	10.99
10.7	CRX10D7AC	0.95	30	4.13	3.51	5.38	2.87	2.63	0.28 x 0.38	1	2	1C	CREN1	4.5
	CRX10D7BC	0.95	30	4.13	3.51	5.38	2.87	2.63	0.28 x 0.38	1	2	1C	CREN1	4.5
	CRX10D7CC	1.64	37	4.13	3.51	5.38	2.87	2.63	0.28 x 0.38	1	2	1C	CREN1	4.28
	CRX10D7DC	1.53	25	4.13	3.51	5.38	2.87	2.63	0.28 x 0.38	1	2	1C	CREN1	4.26
11	CRX0011AC	2.57	36	4.13	3.51	5.38	2.87	2.63	0.28 x 0.38	1	2	1C	CREN1	4.58
	CRX0011BC	2.10	31	4.13	3.51	5.38	2.87	2.63	0.28 x 0.38	1	2	1C	CREN1	4.48
	CRX0011CC	3.40	39	6.50	5.00	6.13	4.38	4.00	0.28 x 0.38	1	2	1D	CREN1	10.63
	CRX0011DC	4.28	45	6.50	5.00	6.13	4.38	4.00	0.28 x 0.38	1	2	1D	CREN1	10.6
12	CRX0012CC	4.20	52	6.50	5.00	6.13	4.38	4.00	0.28 x 0.38	1	2	1D	CREN1	11.8
14	CRX0014AC	1.64	37	4.13	3.51	5.38	2.87	2.63	0.28 x 0.38	1	2	1C	CREN1	4.28
	CRX0014BC	2.73	57	6.50	5.00	6.13	4.38	4.00	0.28 x 0.38	1	2	1D	CREN1	11.07
16.7	CRX16D7AC	0.59	30	4.13	3.51	5.38	2.87	2.63	0.28 x 0.38	1	2	1C	CREN1	4.06
	CRX16D7BC	0.59	30	4.13	3.51	5.38	2.87	2.63	0.28 x 0.38	1	2	1C	CREN1	4.06
	CRX16D7CC	1.06	57	6.50	5.00	6.13	4.38	4.00	0.28 x 0.38	1	3	1D	CREN1	11.09
	CRX16D7DC	0.95	30	4.13	3.51	5.38	2.87	2.63	0.28 x 0.38	1	2	1C	CREN1	4.5
17	CRX0017AC	1.66	51	6.50	5.00	6.13	4.38	4.00	0.28 x 0.38	1	2	1D	CREN1	10.28
	CRX0017BC	2.73	57	6.50	5.00	6.13	4.38	4.00	0.28 x 0.38	1	2	1D	CREN1	11.07
21	CRX0021AC	1.06	57	6.50	5.00	6.13	4.38	4.00	0.28 x 0.38	1	3	1D	CREN1	11.09
	CRX0021BC	1.80	57	6.50	5.00	6.13	4.38	4.00	0.28 x 0.38	1	2	1D	CREN1	11.17
22	CRX0022AC	1.28	51	6.50	5.00	6.13	4.38	4.00	0.28 x 0.38	1	2	1D	CREN1	10.62
	CRX0022BC	2.14	77	6.50	5.00	6.13	4.38	4.00	0.28 x 0.38	1	2	1D	CREN1	11.88
24	CRX0024AC	0.41	35	4.13	3.51	5.38	2.87	2.63	0.28 x 0.38	1	2	1C	CREN1	4.35
	CRX0024BC	0.55	68	6.50	5.00	6.13	4.38	4.00	0.28 x 0.38	1	3	1D	CREN1	11.79
	CRX0024CC	0.68	47	6.50	5.00	6.13	4.38	4.00	0.28 x 0.38	1	2	1D	CREN1	10.35
	CRX0024DC	0.86	60	6.50	5.00	6.13	4.38	4.00	0.28 x 0.38	1	2	1D	CREN1	10.47
27	CRX0027AC	1.06	57	6.50	5.00	6.13	4.38	4.00	0.28 x 0.38	1	3	1D	CREN1	11.09
	CRX0027BC	0.86	60	6.50	5.00	6.13	4.38	4.00	0.28 x 0.38	1	2	1D	CREN1	10.47
	CRX0027CC	1.40	57	6.50	5.00	6.13	4.38	4.00	0.28 x 0.38	1	3	1D	CREN1	12.14
	CRX0027DC	1.77	93	7.12	4.69	6.38	4.80	3.27	0.38 x 0.50	2	3	2A	CREN2	11.5
31	CRX0031AC	0.32	31	6.50	5.00	6.13	4.38	4.00	0.28 x 0.38	1	3	1D	CREN1	10.35
	CRX0031BC	0.32	31	6.50	5.00	6.13	4.38	4.00	0.28 x 0.38	1	3	1D	CREN1	10.35
	CRX0031CC	0.55	68	6.50	5.00	6.13	4.38	4.00	0.28 x 0.38	1	3	1D	CREN1	11.79
	CRX0031DC	0.68	80	6.50	5.00	6.13	4.38	4.00	0.28 x 0.38	1	3	1D	CREN1	12.15
32	CRX0032AC	0.88	68	6.50	5.00	6.13	4.38	4.00	0.28 x 0.38	1	3	1D	CREN1	11.85
	CRX0032BC	1.43	80	7.12	4.69	6.38	4.80	3.27	0.38 x 0.50	2	3	2A	CREN2	12.1
34	CRX0034AC	0.68	80	6.50	5.00	6.13	4.38	4.00	0.28 x 0.38	1	3	1D	CREN1	12.15
	CRX0034BC	1.13	115	7.12	5.19	6.38	4.80	3.77	0.38 x 0.50	2	3	2B	CREN2	12
35	CRX0035CC	1.70	93	7.12	5.19	6.38	4.80	3.77	0.38 x 0.50	2	3	2B	CREN2	24
40	CRX0040AC	0.55	68	6.50	5.00	6.13	4.38	4.00	0.28 x 0.38	1	3	1D	CREN1	11.79
	CRX0040BC	0.94	105	7.12	4.69	6.38	4.80	3.27	0.38 x 0.50	2	3	2A	CREN2	12.2
41	CRX0041AC	0.68	80	6.50	5.00	6.13	4.38	4.00	0.28 x 0.38	1	3	1D	CREN1	12.15
	CRX0041BC	1.13	115	7.12	5.19	6.38	4.80	3.77	0.38 x 0.50	2	3	2B	CREN2	12
45	CRX0045CC	1.20	140	7.12	5.19	6.38	4.80	3.77	0.38 x 0.50	2	3	2B	CREN2	24
46	CRX0046AC	0.21	40	6.50	5.00	6.13	4.38	4.00	0.28 x 0.38	1	3	1D	CREN1	10.87
	CRX0046BC	0.21	40	6.50	5.00	6.13	4.38	4.00	0.28 x 0.38	1	3	1D	CREN1	10.87
	CRX0046CC	0.36	60	6.50	5.00	6.13	4.38	4.00	0.28 x 0.38	1	3	1D	CREN1	11.5
	CRX0046DC	0.45	130	7.12	4.69	6.38	4.80	3.27	0.38 x 0.50	2	3	2A	CREN2	19
52	CRX0052AC	0.50	70	7.12	4.69	6.38	4.80	3.27	0.38 x 0.50	2	3	2A	CREN2	15
	CRX0052BC	0.43	85	7.12	4.69	6.38	4.80	3.27	0.38 x 0.50	2	3	2A	CREN2	17
	CRX0052CC	0.91	130	7.12	5.19	6.38	4.80	3.77	0.38 x 0.50	2	3	2B	CREN2	25
	CRX0052DC	0.74	170	7.12	5.19	6.38	4.80	3.77	0.38 x 0.50	2	3	2B	CREN2	25
59	CRX0059AC	0.17	55	6.50	5.00	6.13	4.38	4.00	0.28 x 0.38	1	3	1D	CREN1	11.03
	CRX0059BC	0.22	85	7.25	5.88	5.63	4.80	3.27	0.38 x 0.50	3	4	3A	CREN2	18
	CRX0059CC	0.30	75	7.12	4.69	6.38	4.80	3.27	0.38 x 0.50	2	3	2A	CREN2	16
	CRX0059DC	0.36	110	7.25	6.00	5.63	4.80	3.77	0.38 x 0.50	3	4	3C	CREN2	25

All dimensions in inches



Standard Three Phase Reactor Core & Coil Specification Charts

60 Hz

Current (Amps)	Part Number	Inductance (mH)	Watt Loss	Dimensions					Mtg Slot/ Hole Size	Dim. Fig. # (pg 121)	Termination Style Ref. # (pg 120)	Frame Size	Enclosure P/N	Weight (lb)
				Width	Depth	Height	Mtg. Width	Mtg. Depth						
62	CRX0062AC	0.45	130	7.12	4.69	6.38	4.80	3.27	0.38 x 0.50	2	3	2A	CREN2	19
	CRX0062BC	0.74	170	7.12	5.19	6.38	4.80	3.77	0.38 x 0.50	2	3	2B	CREN2	25
65	CRX0065AC	0.34	110	7.25	6.00	5.63	4.80	3.77	0.38 x 0.50	3	4	3C	CREN2	25
	CRX0065BC	0.57	120	7.25	6.00	5.63	4.80	3.77	0.38 x 0.50	3	4	3C	CREN2	25
75	CRX0075AC	0.12	70	7.25	5.88	5.63	4.80	3.27	0.38 x 0.50	3	4	3A	CREN2	17
	CRX0075BC	0.19	95	7.25	5.88	5.63	4.80	3.27	0.38 x 0.50	3	4	3A	CREN2	18
	CRX0075CC	0.22	85	7.25	5.88	5.63	4.80	3.27	0.38 x 0.50	3	4	3A	CREN2	18
	CRX0075DC	0.29	105	7.25	6.00	5.63	4.80	3.77	0.38 x 0.50	3	4	3C	CREN2	21
77	CRX0077AC	0.29	105	7.25	6.00	5.63	4.80	3.77	0.38 x 0.50	3	4	3C	CREN2	21
	CRX0077BC	0.36	110	7.25	6.00	5.63	4.80	3.77	0.38 x 0.50	3	4	3C	CREN2	25
	CRX0077CC	0.60	216	9.25	6.25	7.00	6.00	3.70	0.44 x 1.0	3	4	3E	CREN2	30
	CRX0077DC	0.49	160	7.25	6.00	5.63	4.80	3.77	0.38 x 0.50	3	4	3C	CREN2	24
88	CRX0088AC	0.12	70	7.25	5.88	5.63	4.80	3.27	0.38 x 0.50	3	4	3A	CREN2	17
	CRX0088BC	0.12	70	7.25	5.88	5.63	4.80	3.27	0.38 x 0.50	3	4	3A	CREN2	17
	CRX0088CC	0.19	95	7.25	5.88	5.63	4.80	3.27	0.38 x 0.50	3	4	3A	CREN2	18
	CRX0088DC	0.24	120	7.25	6.00	5.63	4.80	3.77	0.38 x 0.50	3	4	3C	CREN2	24
96	CRX0096AC	0.24	120	7.25	6.00	5.63	4.80	3.77	0.38 x 0.50	3	4	3C	CREN2	24
	CRX0096BC	0.39	170	9.25	8.25	7.00	6.00	5.70	0.44 x 1.0	3	4	3N	CREN2	49
99	CRX0099AC	0.28	125	7.25	6.00	5.63	4.80	3.77	0.38 x 0.50	3	4	3C	CREN2	26
	CRX0099BC	0.48	210	9.25	8.00	7.00	6.00	5.45	0.44 x 1.0	3	4	3L	CREN2	48
114	CRX0114AC	0.09	70	7.25	6.00	5.63	4.80	3.27	0.38 x 0.50	3	5	3B	CREN2	18
	CRX0114BC	0.11	140	9.25	6.75	7.00	6.00	3.83	0.44 x 1.0	3	5	3F	CREN2	28
	CRX0114CC	0.14	110	9.25	7.25	7.00	6.00	4.33	0.44 x 1.0	3	5	3J	CREN2	33
	CRX0114DC	0.19	190	10.80	8.25	10.00	7.20	5.21	0.44 x 1.0	4	5	4A	CRECH2	52
124	CRX0124AC	0.19	190	10.80	8.25	10.00	7.20	5.21	0.44 x 1.0	4	5	4A	CRECH2	52
	CRX0124BC	0.30	185	9.25	8.63	7.00	6.00	5.20	0.44 x 1.0	3	5	3Q	CREN2	48
125	CRX0125AC	0.23	160	9.25	7.63	7.00	6.00	4.70	0.44 x 1.0	3	5	3K	CREN2	41
	CRX0125BC	0.38	250	10.80	9.13	10.00	7.20	6.08	0.44 x 1.0	4	5	4C	CRECH2	67
143	CRX0143AC	0.07	88	7.25	6.00	5.63	4.80	3.27	0.38 x 0.50	3	5	3B	CREN2	20
	CRX0143BC	0.10	130	9.25	7.00	7.00	6.00	3.95	0.44 x 1.0	3	5	3H	CREN2	34
	CRX0143CC	0.11	140	9.25	6.75	7.00	6.00	3.83	0.44 x 1.0	3	5	3F	CREN2	28
	CRX0143DC	0.11	140	9.25	6.75	7.00	6.00	3.83	0.44 x 1.0	3	5	3F	CREN2	28
144	CRX0144AC	0.19	190	10.80	8.25	10.00	7.20	5.21	0.44 x 1.0	4	5	4A	CRECH2	52
	CRX0144BC	0.35	240	10.80	9.50	10.00	7.20	6.33	0.44 x 1.0	4	5	4D	CRECH4	74
156	CRX0156AC	0.15	210	9.25	7.00	7.00	6.00	4.08	0.44 x 1.0	3	5	3G	CREN2	32
	CRX0156BC	0.24	260	9.25	8.63	7.00	6.00	5.70	0.44 x 1.0	3	5	3R	CRECH2	32
170	CRX0170AC	0.06	100	7.25	6.25	5.63	4.80	3.77	0.38 x 0.50	3	5	3D	CREN2	23
	CRX0170BC	0.06	100	7.25	6.25	5.63	4.80	3.77	0.38 x 0.50	3	5	3D	CREN2	23
	CRX0170CC	0.10	130	9.25	7.00	7.00	6.00	3.95	0.44 x 1.0	3	5	3H	CREN2	34
	CRX0170DC	0.10	130	9.25	7.00	7.00	6.00	3.95	0.44 x 1.0	3	5	3H	CREN2	34
180	CRX0180AC	0.13	180	9.25	8.88	7.00	6.00	5.95	0.44 x 1.0	3	5	3S	CRECH2	54
	CRX0180BC	0.21	250	10.80	8.38	10.00	7.20	5.33	0.44 x 1.0	4	5	4B	CRECH2	63
192	CRX0192AC	0.15	200	9.25	8.25	7.00	6.00	5.45	0.44 x 1.0	3	5	3P	CRECH2	53
	CRX0192BC	0.25	325	10.80	10.50	10.00	7.20	7.33	0.44 x 1.0	4	5	4E	CRECH2	90
200	CRX0200CC	0.11	195	9.25	7.63	7.00	6.00	4.70	0.44 x 1.0	3	5	3K	CRECH2	44
211	CRX0211AC	0.05	125	7.25	6.25	5.63	4.80	3.77	0.38 x 0.50	3	5	3D	CREN2	24
	CRX0211BC	0.05	125	7.25	6.25	5.63	4.80	3.77	0.38 x 0.50	3	5	3D	CREN2	24
	CRX0211CC	0.08	180	9.25	7.63	7.00	6.00	4.70	0.44 x 1.0	3	5	3K	CRECH2	39
	CRX0211DC	0.10	225	11.05	8.25	10.00	7.20	5.21	0.44 x 1.0	4	5	4G	CRECH2	58
240	CRX0240AC	0.10	225	11.05	8.25	10.00	7.20	5.21	0.44 x 1.0	4	5	4G	CRECH2	58
	CRX0240BC	0.16	435	13.75	11.63	12.50	9.00	8.70	0.44 x 1.0	4	5	4V	CRECH4	155
242	CRX0242AC	0.12	275	11.05	8.25	10.00	7.20	5.08	0.44 x 1.0	4	5	4F	CRECH2	59
	CRX0242BC	0.20	360	11.05	9.50	10.00	7.20	6.46	0.44 x 1.0	4	5	4M	CRECH4	87
273	CRX0273AC	0.04	130	9.25	8.13	7.00	6.00	5.20	0.44 x 1.0	3	5	3M	CRECH2	43
	CRX0273BC	0.04	130	9.25	8.13	7.00	6.00	5.20	0.44 x 1.0	3	5	3M	CRECH2	43
	CRX0273CC	0.06	200	11.05	9.13	10.00	7.20	6.08	0.44 x 1.0	4	5	4L	CRECH4	67
	CRX0273DC	0.08	310	13.75	9.00	12.50	9.00	6.05	0.44 x 1.0	4	5	4M	CRECH4	84

SECTION 3

All dimensions in inches



Standard Three Phase Reactor Core & Coil Specification Charts

60 Hz

Current (Amps)	Part Number	Inductance (mH)	Watt Loss	Dimensions					Mtg Slot/Hole Size	Dim. Fig. # (pg 121)	Termination Style Ref. # (pg 120)	Frame Size	Enclosure P/N	Weight (lb)
				Width	Depth	Height	Mtg. Width	Mtg. Depth						
289	CRX0289AC	0.10	290	11.05	9.00	10.00	7.20	5.96	0.44 x 1.0	4	5	4K	CRECH4	75
	CRX0289BC	0.16	435	13.75	11.63	12.50	9.00	8.70	0.44 x 1.0	4	5	4V	CRECH4	155
302	CRX0302AC	0.08	310	13.75	9.00	12.50	9.00	6.05	0.44 x 1.0	4	5	4M	CRECH4	84
	CRX0302BC	0.13	475	13.75	11.38	14.50	9.00	8.42	0.44 x 1.0	4	5	4AA	CRECH4	171
336	CRX0336AC	0.08	360	13.75	9.38	14.50	9.00	6.42	0.44 x 1.0	4	5	4W	CRECH4	110
	CRX0336BC	0.13	475	13.75	11.38	14.50	9.00	8.42	0.44 x 1.0	4	5	4AA	CRECH4	171
343	CRX0343AC	0.03	200	11.05	8.63	10.00	7.20	5.58	0.44 x 1.0	4	5	4H	CRECH4	57
	CRX0343BC	0.03	200	11.05	8.63	10.00	7.20	5.58	0.44 x 1.0	4	5	4H	CRECH4	57
	CRX0343CC	0.05	230	11.05	8.88	10.00	7.20	5.83	0.44 x 1.0	4	5	4J	CRECH4	66
	CRX0343DC	0.06	325	13.75	9.38	12.50	9.00	6.42	0.44 x 1.0	4	5	4Q	CRECH4	95
361	CRX0361AC	0.06	325	13.75	9.38	12.50	9.00	6.42	0.44 x 1.0	4	5	4Q	CRECH4	95
	CRX0361BC	0.10	445	13.75	11.38	12.50	9.00	8.42	0.44 x 1.0	4	5	4U	CRECH5	147
382	CRX0382AC	0.07	435	13.75	10.38	12.50	9.00	7.30	0.44 x 1.0	4	5	4S	CRECH5	116
	CRX0382BC	0.12	580	13.75	11.50	14.50	9.00	8.67	0.44 x 1.0	4	5	4AB	CRECH5	180
396	CRX0396AC	0.03	200	11.05	8.63	10.00	7.20	5.58	0.44 x 1.0	4	5	4H	CRECH4	57
	CRX0396BC	0.03	200	11.05	8.63	10.00	7.20	5.58	0.44 x 1.0	4	5	4H	CRECH4	57
	CRX0396CC	0.04	300	13.75	9.38	12.50	9.00	6.42	0.44 x 1.0	4	5	4Q	CRECH4	92
	CRX0396DC	0.04	300	13.75	9.38	12.50	9.00	6.42	0.44 x 1.0	4	5	4Q	CRECH4	92
412	CRX0412AC	0.07	435	13.75	10.38	12.50	9.00	7.30	0.44 x 1.0	4	5	4S	CRECH5	116
	CRX0412BC	0.11	550	13.75	10.88	12.50	9.00	7.92	0.44 x 1.0	4	5	4T	CRECH5	146
414	CRX0414AC	0.06	400	13.75	10.13	12.50	9.00	7.17	0.44 x 1.0	4	5	4R	CRECH5	125
	CRX0414BC	0.08	505	13.75	11.38	12.50	9.00	8.42	0.44 x 1.0	4	5	4U	CRECH5	143
472	CRX0472AC	0.06	400	13.75	10.13	12.50	9.00	7.17	0.44 x 1.0	4	5	4R	CRECH5	125
	CRX0472BC	0.10	560	13.75	11.63	12.50	9.00	8.70	0.44 x 1.0	4	5	4V	CRECH5	171
477	CRX0477AC	0.05	420	13.75	10.88	14.50	9.00	7.42	0.44 x 1.0	4	6	4Z	CRECH6	145
	CRX0477BC	0.08	600	13.75	13.38	14.50	9.00	9.92	0.44 x 1.0	4	6	4AC	CRECH6	220
515	CRX0515AC	0.05	420	13.75	10.88	14.50	9.00	7.42	0.44 x 1.0	4	6	4Z	CRECH6	145
	CRX0515BC	0.08	600	13.75	13.38	14.50	9.00	9.92	0.44 x 1.0	4	6	4AC	CRECH6	220
528	CRX0528AC	0.02	220	13.75	9.38	12.50	9.00	5.70	0.44 x 1.0	4	6	4P	CRECH5	74
	CRX0528BC	0.02	220	13.75	9.38	12.50	9.00	5.70	0.44 x 1.0	4	6	4P	CRECH5	74
	CRX0528CC	0.03	355	13.75	9.63	14.50	9.00	6.17	0.44 x 1.0	4	6	4X	CRECH5	102
	CRX0528DC	0.04	495	13.75	10.63	14.50	9.00	7.17	0.44 x 1.0	4	6	4Y	CRECH5	133
590	CRX0590AC	0.04	495	13.75	10.63	14.50	9.00	7.17	0.44 x 1.0	4	6	4Y	CRECH5	133
	CRX0590BC	0.06	680	13.75	13.38	14.50	9.00	9.92	0.44 x 1.0	4	6	4AC	CRECH6	220
600	CRX0600CC	0.046	525	13.75	12.13	14.5	9	8.67	0.44 x 1.0	4	6	4AD	CRECH6	210
	CRX0600EC	0.077	675	13.75	13.13	14.5	9	9.67	0.44 x 1.0	4	6	4AE	CRECH6	230
700	CRX0700CC	0.039	615	14.25	12.38	14.5	9.5	7.92	0.44 x 1.0	4	6	4AF	CRECH6	171
	CRX0700EC	0.066	860	14.25	14.38	14.5	9.5	9.92	0.44 x 1.0	4	6	4AG	CRECH6	246
720	CRX0720AC	0.031	480	13.75	11.63	14.5	9	7.17	0.44 x 1.0	5	6	5A	CRECH6	145
750	CRX0750CC	0.037	600	14.25	12.63	14.5	9.5	8.17	0.44 x 1.0	4	6	4AH	CRECH6	143
	CRX0750DC	0.049	770	16.75	14.00	14.50	11.50	8.42	0.44 x 1.0	4	6	4AJ	CRECH6	217
	CRX0750EC	0.061	940	16.75	14.25	14.50	11.50	8.67	0.44 x 1.0	4	6	4AK	CRECH6	255
840	CRX0840AC	0.027	570	13.75	11.88	14.5	9	7.17	0.44 x 1.0	5	6	5B	CRECH6	270
900	CRX0900CC	0.031	750	14.25	14.63	14.5	9.5	8.17	0.44 x 1.0	5	7	5E	CRECH6	200
	CRX0900DC	0.041	950	17	14.88	14.5	11.5	8.42	0.44 x 1.0	5	7	5F	CRECH6	245
	CRX0900EC	0.051	1075	17	16.38	14.5	11.5	9.92	0.44 x 1.0	5	7	5G	CRECH6	290
960	CRX0960AC	0.022	675	17.75	13.75	18.5	12	7.42	0.44 x 1.0	5	7	5D	CRECH6	270
1000	CRX1000CC	0.028	785	18.75	13.5	18.5	12	7.17	0.44 x 1.0	5	7	5H	CRECH6	300
	CRX1000DC	0.037	820	18.75	14	18.5	13	8.17	0.44 x 1.0	5	7	5J	CRECH6	364
	CRX1000EC	0.046	970	21.75	16	18.5	15	8.17	0.44 x 1.0	5	7	5K	CRECH6	405
1080	CRX1080AC	0.022	675	17.75	13.75	18.5	12	7.42	0.44 x 1.0	5	7	5D	CRECH6	270
1200	CRX1200AC	0.018	710	17.75	13.25	18.5	12	6.92	0.44 x 1.0	5	7	5C	CRECH6	250
	CRX1200CC	0.023	880	18.75	13.25	18.5	13	6.67	0.44 x 1.0	5	7	5L	CRECH6	264
	CRX1200DC	0.031	1100	21.75	15	18.5	15	7.17	0.44 x 1.0	5	7	5M	CRECH6	337
	CRX1200EC	0.038	1100	21.75	16	18.5	15	8.17	0.44 x 1.0	5	7	5N	CRECH6	422

All dimensions in inches

Standard Three Phase Reactor Core & Coil Specification Charts

50 Hz

Current (Amps)	Part Number	Inductance (mH)	Watt Loss	Dimensions					Mtg Slot/ Hole Size	Dim. Fig. # (pg 121)	Termination Style Ref. # (pg 120)	Frame Size	Enclosure P/N	Weight (lb)
				Width	Depth	Height	Mtg. Width	Mtg. Depth						
1.2	CRX01D2NC	33.94	15	4.13	2.29	5.13	2.81	1.79	0.28 x 0.38	1	1	1A	CREN1	2.5
1.6	CRX01D6NC	23.55	12	4.13	2.29	5.13	2.81	1.79	0.28 x 0.38	1	1	1A	CREN1	2.5
2	CRX0002NC	17.83	21	4.13	2.29	5.13	2.81	1.79	0.28 x 0.38	1	1	1A	CREN1	3
2.1	CRX02D1NC	10.61	19	4.13	2.29	5.13	2.81	1.79	0.28 x 0.38	1	1	1A	CREN1	2.5
	CRX02D1PC	17.83	21	4.13	2.29	5.13	2.81	1.79	0.28 x 0.38	1	1	1A	CREN1	3
3	CRX0003NC	7.058	22	4.13	2.29	5.13	2.81	1.79	0.28 x 0.38	1	1	1A	CREN1	3
	CRX0003PC	10.61	35	4.13	2.29	5.13	2.81	1.79	0.28 x 0.38	1	1	1A	CREN1	3
3.4	CRX03D4NC	10.61	35	4.13	2.29	5.13	2.81	1.79	0.28 x 0.38	1	1	1A	CREN1	3
3.7	Consult Factory													
4.5	Consult Factory													
4.8	CRX04D8NC	4.7	22	4.13	2.29	5.13	2.81	1.79	0.28 x 0.38	1	1	1A	CREN1	3
	CRX04D8PC	7.784	35	4.13	3.51	5.13	2.87	2.63	0.28 x 0.38	1	1	1B	CREN1	4.5
7.5	CRX07D5NC	5.09	40	6.5	5	6.13	4.38	4	0.28 x 0.38	1	2	1D	CREN1	11
8	CRX0008NC	2.569	36	4.13	3.51	5.38	2.87	2.63	0.28 x 0.38	1	2	1C	CREN1	5
	CRX0008PC	4.67	29	4.13	2.29	5.13	2.81	1.79	0.28 x 0.38	1	1	1A	CREN1	3
11	CRX0011NC	3.4	39	6.5	5	6.13	4.38	4	0.28 x 0.38	1	2	1D	CREN1	11
11.8	CRX11D8NC	1.66	51	6.5	5	6.13	4.38	4	0.28 x 0.38	1	2	1D	CREN1	10.5
	CRX11D8PC	2.73	57	6.5	5	6.13	4.38	4	0.28 x 0.38	1	2	1D	CREN1	11.5
14	CRX0014NC	2.73	57	6.5	5	6.13	4.38	4	0.28 x 0.38	1	2	1D	CREN1	11.5
15.6	CRX15D6NC	1.284	51	6.5	5	6.13	4.38	4	0.28 x 0.38	1	2	1D	CREN1	11
	CRX15D6PC	2.14	77	6.5	5	6.13	4.38	4	0.28 x 0.38	1	2	1D	CREN1	12
18	CRX0018NC	2.14	77	6.5	5	6.13	4.38	4	0.28 x 0.38	1	2	1D	CREN1	12
21	CRX0021NC	2.14	77	6.5	5	6.13	4.38	4	0.28 x 0.38	1	2	1D	CREN1	12
23	CRX0023NC	1.061	57	6.5	5	6.13	4.38	4	0.28 x 0.38	1	3	1D	CREN1	11.5
	CRX0023PC	1.433	80	7.12	4.69	6.38	4.8	3.27	0.38 x 0.50	2	3	2A	CREN2	12.5
25	CRX0025NC	1.769	93	7.12	4.69	6.38	4.8	3.27	0.38 x 0.50	2	3	2A	CREN2	11.5
30.5	CRX30D5NC	0.677	80	6.5	5	6.13	4.38	4	0.28 x 0.38	1	3	1D	CREN1	12.5
	CRX30D5PC	1.128	115	7.12	5.19	6.38	4.8	3.77	0.38 x 0.50	2	3	2B	CREN2	12
33	CRX0033NC	1.128	115	7.12	5.19	6.38	4.8	3.77	0.38 x 0.50	2	3	2B	CREN2	12
37.8	CRX37D8NC	0.546	68	6.5	5	6.13	4.38	4	0.28 x 0.38	1	3	1D	CREN1	12
	CRX37D8PC	0.942	105	7.12	4.69	6.38	4.8	3.27	0.38 x 0.50	2	3	2A	CREN2	12.5
45.2	CRX45D2NC	0.445	130	7.12	4.69	6.38	4.8	3.27	0.38 x 0.50	2	3	2A	CREN2	19
	CRX45D2PC	0.742	170	7.12	5.19	6.38	4.8	3.77	0.38 x 0.50	2	3	2B	CREN2	25
45	CRX0045NC	0.905	130	7.12	5.19	6.38	4.8	3.77	0.38 x 0.50	2	3	2B	CREN2	25
55	CRX0055NC	0.742	170	7.12	5.19	6.38	4.8	3.77	0.38 x 0.50	2	3	2B	CREN2	25
59.8	CRX59D8NC	0.357	110	7.25	6	5.63	4.8	3.77	0.38 x 0.50	3	4	3C	CREN2	25
	CRX59D8PC	0.595	216	9.25	6.25	7	6	3.7	0.44 x 1.0	3	4	3E	CREN2	30
65	CRX0065NC	0.595	216	9.25	6.25	7	6	3.7	0.44 x 1.0	3	4	3E	CREN2	30
74.4	CRX74D4NC	0.285	105	7.25	6	5.63	4.8	3.77	0.38 x 0.50	3	4	3C	CREN2	21
	CRX74D4PC	0.49	160	7.25	6	5.63	4.8	3.77	0.38 x 0.50	3	4	3C	CREN2	24
80	CRX0080NC	0.475	210	9.25	8	7	6	5.45	0.44 x 1.0	3	4	3L	CREN2	48
89	CRX0089NC	0.235	120	7.25	6	5.63	4.8	3.77	0.38 x 0.50	3	4	3C	CREN2	24
	CRX0089PC	0.392	170	9.25	8.25	7	6	5.7	0.44 x 1.0	3	4	3N	CREN2	49
96	CRX0096NC	0.392	170	9.25	8.25	7	6	5.7	0.44 x 1.0	3	4	3N	CREN2	49
111	Consult Factory													
	CRX0111PC	0.295	185	9.25	8.63	7	6	5.2	0.44 x 1.0	3	5	3Q	CREN2	48
130	CRX0130NC	0.3475	240	10.8	9.5	10	7.2	6.33	0.44 x 1.0	4	5	4D	CRECH4	74
147	CRX0147NC	0.145	210	9.25	7	7	6	4.08	0.44 x 1.0	3	5	3G	CREN2	32
	CRX0147PC	0.242	260	9.25	8.63	7	6	5.7	0.44 x 1.0	3	5	3R	CRECH2	32
160	CRX0160NC	0.242	260	9.25	8.63	7	6	5.7	0.44 x 1.0	3	5	3R	CRECH2	32

All dimensions in inches



Standard Three Phase Reactor Core & Coil Specification Charts

50 Hz

Current (Amps)	Part Number	Inductance (mH)	Watt Loss	Dimensions					Mtg Slot/Hole Size	Dim. Fig. # (pg 121)	Termination Style Ref. # (pg 120)	Frame Size	Enclosure P/N	Weight (lb)
				Width	Depth	Height	Mtg. Width	Mtg. Depth						
183	CRX0183NC	0.1255	180	9.25	8.88	7	6	5.95	0.44 x 1.0	3	5	3S	CRECH2	54
	CRX0183PC	0.195	360	11.05	9.5	10	7.2	6.46	0.44 x 1.0	4	5	4M	CRECH4	87
219	CRX0219NC	0.096	225	11.05	8.25	10	7.2	5.21	0.44 x 1.0	4	5	4G	CRECH2	58
	CRX0219PC	0.16	435	13.75	11.63	12.5	9	8.7	0.44 x 1.0	4	5	4V	CRECH4	155
291	CRX0291NC	0.0795	310	13.75	9	12.5	9	6.05	0.44 x 1.0	4	5	4M	CRECH4	84
	CRX0291PC	0.123	580	13.75	11.5	14.5	9	8.67	0.44 x 1.0	4	5	4AB	CRECH5	180

All dimensions in inches

SECTION 3



Standard Three Phase Reactor Enclosed Specification Charts

60 Hz

Current (Amps)	Part Number	Inductance (mH)	Watt Loss	Dimensions					Mtg Slot/ Hole Size	Enclosure Style	Termination Style Ref. # (pg 120)	Weight (lb)
				Width	Depth	Height	Mtg. Width	Mtg. Depth				
1	CRX0001AE	27.20	21	10.00	8.00	8.13	7.00	6.50	0.188	N1	1	7.50
	CRX0001BE	47.09	12	10.00	8.00	8.13	7.00	6.50	0.188	N1	1	7.50
1.1	CRX01D1AE	20.36	12	10.00	8.00	8.13	7.00	6.50	0.188	N1	1	7.50
	CRX01D1BE	33.94	15	10.00	8.00	8.13	7.00	6.50	0.188	N1	1	7.50
1.4	CRX01D4AE	20.36	12	10.00	8.00	8.13	7.00	6.50	0.188	N1	1	7.50
	CRX01D4BE	33.94	15	10.00	8.00	8.13	7.00	6.50	0.188	N1	1	7.50
1.6	CRX01D6AE	14.91	15	10.00	8.00	8.13	7.00	6.50	0.188	N1	1	7.50
	CRX01D6BE	23.55	12	10.00	8.00	8.13	7.00	6.50	0.188	N1	1	7.50
1.8	CRX01D8AE	14.91	15	10.00	8.00	8.13	7.00	6.50	0.188	N1	1	7.50
	CRX01D8BE	27.20	21	10.00	8.00	8.13	7.00	6.50	0.188	N1	1	7.50
2	CRX0002CE	20.00	15	10.00	8.00	8.13	7.00	6.50	0.188	N1	1	8.00
2.1	CRX02D1AE	10.61	19	10.00	8.00	8.13	7.00	6.50	0.188	N1	1	7.50
	CRX02D1BE	17.83	21	10.00	8.00	8.13	7.00	6.50	0.188	N1	1	8.00
2.4	CRX02D4AE	4.67	29	10.00	8.00	8.13	7.00	6.50	0.188	N1	1	8.00
	CRX02D4BE	4.08	9	10.00	8.00	8.13	7.00	6.50	0.188	N1	1	7.50
	CRX02D4CE	7.06	22	10.00	8.00	8.13	7.00	6.50	0.188	N1	1	8.00
	CRX02D4DE	7.06	22	10.00	8.00	8.13	7.00	6.50	0.188	N1	1	8.00
2.6	CRX02D6AE	10.61	35	10.00	8.00	8.13	7.00	6.50	0.188	N1	1	8.00
	CRX02D6BE	17.83	21	10.00	8.00	8.13	7.00	6.50	0.188	N1	1	8.00
2.7	CRX02D7AE	10.61	19	10.00	8.00	8.13	7.00	6.50	0.188	N1	1	7.50
	CRX02D7BE	17.83	21	10.00	8.00	8.13	7.00	6.50	0.188	N1	1	8.00
3	CRX0003AE	7.06	22	10.00	8.00	8.13	7.00	6.50	0.188	N1	1	8.00
	CRX0003BE	10.61	35	10.00	8.00	8.13	7.00	6.50	0.188	N1	1	8.00
3.4	CRX03D4AE	7.06	22	10.00	8.00	8.13	7.00	6.50	0.188	N1	1	8.00
	CRX03D4BE	10.61	35	10.00	8.00	8.13	7.00	6.50	0.188	N1	1	8.00
3.5	CRX03D5AE	2.80	15	10.00	8.00	8.13	7.00	6.50	0.188	N1	1	7.50
	CRX03D5BE	3.55	18	10.00	8.00	8.13	7.00	6.50	0.188	N1	1	7.50
	CRX03D5CE	5.09	40	10.00	8.00	8.13	7.00	6.50	0.188	N1	2	16.00
	CRX03D5DE	4.67	29	10.00	8.00	8.13	7.00	6.50	0.188	N1	1	8.00
3.9	CRX03D9AE	7.06	22	10.00	8.00	8.13	7.00	6.50	0.188	N1	1	8.00
	CRX03D9BE	10.61	35	10.00	8.00	8.13	7.00	6.50	0.188	N1	1	8.00
4	CRX0004CE	9.10	26	10.00	8.00	8.13	7.00	6.50	0.188	N1	1	8.00
4.6	CRX04D6AE	2.13	15	10.00	8.00	8.13	7.00	6.50	0.188	N1	1	7.50
	CRX04D6BE	2.13	15	10.00	8.00	8.13	7.00	6.50	0.188	N1	1	7.50
	CRX04D6CE	3.55	18	10.00	8.00	8.13	7.00	6.50	0.188	N1	1	7.50
	CRX04D6DE	4.67	29	10.00	8.00	8.13	7.00	6.50	0.188	N1	1	8.00
4.8	CRX04D8AE	4.70	22	10.00	8.00	8.13	7.00	6.50	0.188	N1	1	8.00
	CRX04D8BE	7.78	35	10.00	8.00	8.13	7.00	6.50	0.188	N1	1	9.50
6.1	CRX06D1AE	4.67	29	10.00	8.00	8.13	7.00	6.50	0.188	N1	1	8.00
	CRX06D1BE	7.78	35	10.00	8.00	8.13	7.00	6.50	0.188	N1	1	9.50
6.6	CRX06D6AE	1.48	18	10.00	8.00	8.13	7.00	6.50	0.188	N1	1	7.50
	CRX06D6BE	1.48	18	10.00	8.00	8.13	7.00	6.50	0.188	N1	1	7.50
	CRX06D6CE	2.33	24	10.00	8.00	8.13	7.00	6.50	0.188	N1	1	8.00
	CRX06D6DE	3.06	31	10.00	8.00	8.13	7.00	6.50	0.188	N1	1	9.50
7.5	CRX07D5AE	1.31	18	10.00	8.00	8.13	7.00	6.50	0.188	N1	1	7.50
	CRX07D5BE	1.53	25	10.00	8.00	8.13	7.00	6.50	0.188	N1	2	9.50
	CRX07D5CE	2.33	24	10.00	8.00	8.13	7.00	6.50	0.188	N1	1	8.00
	CRX07D5DE	2.33	24	10.00	8.00	8.13	7.00	6.50	0.188	N1	1	8.00
7.6	CRX07D6AE	3.06	31	10.00	8.00	8.13	7.00	6.50	0.188	N1	1	9.50
	CRX07D6BE	5.09	40	10.00	8.00	8.13	7.00	6.50	0.188	N1	2	16.00

Note: Please refer to Pages 226 to 237 for enclosure dimensional specifications

All dimensions in inches



Standard Three Phase Reactor Enclosed Specification Charts

60 Hz

Current (Amps)	Part Number	Inductance (mH)	Watt Loss	Dimensions					Mtg Slot/ Hole Size	Enclosure Style	Termination Style Ref. # (pg 120)	Weight (lb)
				Width	Depth	Height	Mtg. Width	Mtg. Depth				
8	CRX0008CE	7.50	39	10.00	8.00	8.13	7.00	6.50	0.188	N1	2	17.00
9	CRX0009AE	3.06	31	10.00	8.00	8.13	7.00	6.50	0.188	N1	1	9.50
	CRX0009BE	5.09	40	10.00	8.00	8.13	7.00	6.50	0.188	N1	2	16.00
10.7	CRX10D7AE	0.95	30	10.00	8.00	8.13	7.00	6.50	0.188	N1	2	9.50
	CRX10D7BE	0.95	30	10.00	8.00	8.13	7.00	6.50	0.188	N1	2	9.50
	CRX10D7CE	1.64	37	10.00	8.00	8.13	7.00	6.50	0.188	N1	2	9.50
	CRX10D7DE	1.53	25	10.00	8.00	8.13	7.00	6.50	0.188	N1	2	9.50
11	CRX0011AE	2.57	36	10.00	8.00	8.13	7.00	6.50	0.188	N1	2	10.00
	CRX0011BE	2.10	31	10.00	8.00	8.13	7.00	6.50	0.188	N1	2	9.50
	CRX0011CE	3.40	39	10.00	8.00	8.13	7.00	6.50	0.188	N1	2	16.00
	CRX0011DE	4.28	45	10.00	8.00	8.13	7.00	6.50	0.188	N1	2	16.00
12	CRX0012CE	4.20	52	10.00	8.00	8.13	7.00	6.50	0.188	N1	2	17.00
14	CRX0014AE	1.64	37	10.00	8.00	8.13	7.00	6.50	0.188	N1	2	9.50
	CRX0014BE	2.73	57	10.00	8.00	8.13	7.00	6.50	0.188	N1	2	16.50
16.7	CRX16D7AE	0.59	30	10.00	8.00	8.13	7.00	6.50	0.188	N1	2	9.50
	CRX16D7BE	0.59	30	10.00	8.00	8.13	7.00	6.50	0.188	N1	2	9.50
	CRX16D7CE	1.06	57	10.00	8.00	8.13	7.00	6.50	0.188	N1	3	16.50
	CRX16D7DE	0.95	30	10.00	8.00	8.13	7.00	6.50	0.188	N1	2	9.50
17	CRX0017AE	1.66	51	10.00	8.00	8.13	7.00	6.50	0.188	N1	2	15.50
	CRX0017BE	2.73	57	10.00	8.00	8.13	7.00	6.50	0.188	N1	2	16.50
21	CRX0021AE	1.06	57	10.00	8.00	8.13	7.00	6.50	0.188	N1	3	16.50
	CRX0021BE	1.80	57	10.00	8.00	8.13	7.00	6.50	0.188	N1	2	16.50
22	CRX0022AE	1.28	51	10.00	8.00	8.13	7.00	6.50	0.188	N1	2	16.00
	CRX0022BE	2.14	77	10.00	8.00	8.13	7.00	6.50	0.188	N1	2	17.00
24	CRX0024AE	0.41	35	10.00	8.00	8.13	7.00	6.50	0.188	N1	2	9.50
	CRX0024BE	0.55	68	10.00	8.00	8.13	7.00	6.50	0.188	N1	3	17.00
	CRX0024CE	0.68	47	10.00	8.00	8.13	7.00	6.50	0.188	N1	2	16.00
	CRX0024DE	0.86	60	10.00	8.00	8.13	7.00	6.50	0.188	N1	2	15.50
27	CRX0027AE	1.06	57	10.00	8.00	8.13	7.00	6.50	0.188	N1	3	16.50
	CRX0027BE	0.86	60	10.00	8.00	8.13	7.00	6.50	0.188	N1	2	15.50
	CRX0027CE	1.40	57	10.00	8.00	8.13	7.00	6.50	0.188	N1	3	17.50
	CRX0027DE	1.77	93	14.00	14.00	12.13	10.00	10.50	0.188	N2	3	21.50
31	CRX0031AE	0.32	31	10.00	8.00	8.13	7.00	6.50	0.188	N1	3	15.50
	CRX0031BE	0.32	31	10.00	8.00	8.13	7.00	6.50	0.188	N1	3	15.50
	CRX0031CE	0.55	68	10.00	8.00	8.13	7.00	6.50	0.188	N1	3	17.00
	CRX0031DE	0.68	80	10.00	8.00	8.13	7.00	6.50	0.188	N1	3	17.50
32	CRX0032AE	0.88	68	10.00	8.00	8.13	7.00	6.50	0.188	N1	3	17.00
	CRX0032BE	1.43	80	14.00	14.00	12.13	10.00	10.50	0.188	N2	3	22.50
34	CRX0034AE	0.68	80	10.00	8.00	8.13	7.00	6.50	0.188	N1	3	17.50
	CRX0034BE	1.13	115	14.00	14.00	12.13	10.00	10.50	0.188	N2	3	22.00
35	CRX0035CE	1.70	93	14.00	14.00	12.13	10.00	10.50	0.188	N2	3	34.00
40	CRX0040AE	0.55	68	10.00	8.00	8.13	7.00	6.50	0.188	N1	3	17.00
	CRX0040BE	0.94	105	14.00	14.00	12.13	10.00	10.50	0.188	N2	3	22.50
41	CRX0041AE	0.68	80	10.00	8.00	8.13	7.00	6.50	0.188	N1	3	17.50
	CRX0041BE	1.13	115	14.00	14.00	12.13	10.00	10.50	0.188	N2	3	22.00
45	CRX0045CE	1.20	140	14.00	14.00	12.13	10.00	10.50	0.188	N2	3	34.00
46	CRX0046AE	0.21	40	10.00	8.00	8.13	7.00	6.50	0.188	N1	3	16.00
	CRX0046BE	0.21	40	10.00	8.00	8.13	7.00	6.50	0.188	N1	3	16.00
	CRX0046CE	0.36	60	10.00	8.00	8.13	7.00	6.50	0.188	N1	3	16.50
	CRX0046DE	0.45	130	14.00	14.00	12.13	10.00	10.50	0.188	N2	3	29.00

Note: Please refer to Pages 226 to 237 for enclosure dimensional specifications

All dimensions in inches



SECTION 3

Standard Three Phase Reactor Enclosed Specification Charts

60 Hz

Current (Amps)	Part Number	Inductance (mH)	Watt Loss	Dimensions					Mtg Slot/ Hole Size	Enclosure Style	Termination Style Ref. # (pg 120)	Weight (lb)
				Width	Depth	Height	Mtg. Width	Mtg. Depth				
52	CRX0052AE	0.50	70	14.00	14.00	12.13	10.00	10.50	0.188	N2	3	25.00
	CRX0052BE	0.43	85	14.00	14.00	12.13	10.00	10.50	0.188	N2	3	27.00
	CRX0052CE	0.91	130	14.00	14.00	12.13	10.00	10.50	0.188	N2	3	35.00
	CRX0052DE	0.74	170	14.00	14.00	12.13	10.00	10.50	0.188	N2	3	35.00
59	CRX0059AE	0.17	55	10.00	8.00	8.13	7.00	6.50	0.188	N1	3	16.50
	CRX0059BE	0.22	85	14.00	14.00	12.13	10.00	10.50	0.188	N2	4	28.00
	CRX0059CE	0.30	75	14.00	14.00	12.13	10.00	10.50	0.188	N2	3	26.00
	CRX0059DE	0.36	110	14.00	14.00	12.13	10.00	10.50	0.188	N2	4	35.00
62	CRX0062AE	0.45	130	14.00	14.00	12.13	10.00	10.50	0.188	N2	3	29.00
	CRX0062BE	0.74	170	14.00	14.00	12.13	10.00	10.50	0.188	N2	3	35.00
65	CRX0065AE	0.34	110	14.00	14.00	12.13	10.00	10.50	0.188	N2	4	35.00
	CRX0065BE	0.57	120	14.00	14.00	12.13	10.00	10.50	0.188	N2	4	35.00
75	CRX0075AE	0.12	70	14.00	14.00	12.13	10.00	10.50	0.188	N2	4	27.00
	CRX0075BE	0.19	95	14.00	14.00	12.13	10.00	10.50	0.188	N2	4	28.00
	CRX0075CE	0.22	85	14.00	14.00	12.13	10.00	10.50	0.188	N2	4	28.00
	CRX0075DE	0.29	105	14.00	14.00	12.13	10.00	10.50	0.188	N2	4	31.00
77	CRX0077AE	0.29	105	14.00	14.00	12.13	10.00	10.50	0.188	N2	4	31.00
	CRX0077BE	0.36	110	14.00	14.00	12.13	10.00	10.50	0.188	N2	4	35.00
	CRX0077CE	0.60	216	14.00	14.00	12.13	10.00	10.50	0.188	N2	4	40.00
	CRX0077DE	0.49	160	14.00	14.00	12.13	10.00	10.50	0.188	N2	4	34.00
88	CRX0088AE	0.12	70	14.00	14.00	12.13	10.00	10.50	0.188	N2	4	27.00
	CRX0088BE	0.12	70	14.00	14.00	12.13	10.00	10.50	0.188	N2	4	27.00
	CRX0088CE	0.19	95	14.00	14.00	12.13	10.00	10.50	0.188	N2	4	28.00
	CRX0088DE	0.24	120	14.00	14.00	12.13	10.00	10.50	0.188	N2	4	34.00
96	CRX0096AE	0.24	120	14.00	14.00	12.13	10.00	10.50	0.188	N2	4	34.00
	CRX0096BE	0.39	170	14.00	14.00	12.13	10.00	10.50	0.188	N2	4	59.00
99	CRX0099AE	0.28	125	14.00	14.00	12.13	10.00	10.50	0.188	N2	4	36.00
	CRX0099BE	0.48	210	14.00	14.00	12.13	10.00	10.50	0.188	N2	4	58.00
114	CRX0114AE	0.09	70	14.00	14.00	12.13	10.00	10.50	0.188	N2	5	28.00
	CRX0114BE	0.11	140	14.00	14.00	12.13	10.00	10.50	0.188	N2	5	38.00
	CRX0114CE	0.14	110	14.00	14.00	12.13	10.00	10.50	0.188	N2	5	43.00
	CRX0114DE	0.19	190	23.50	16.50	17.90	22.40	6.50	0.56	CH2	5	83.00
124	CRX0124AE	0.19	190	23.50	16.50	17.90	22.40	6.50	0.56	CH2	5	83.00
	CRX0124BE	0.30	185	14.00	14.00	12.13	10.00	10.50	0.188	N2	5	58.00
125	CRX0125AE	0.23	160	14.00	14.00	12.13	10.00	10.50	0.188	N2	5	51.00
	CRX0125BE	0.38	250	23.50	16.50	17.90	22.40	6.50	0.56	CH2	5	98.00
143	CRX0143AE	0.07	88	14.00	14.00	12.13	10.00	10.50	0.188	N2	5	30.00
	CRX0143BE	0.10	130	14.00	14.00	12.13	10.00	10.50	0.188	N2	5	44.00
	CRX0143CE	0.11	140	14.00	14.00	12.13	10.00	10.50	0.188	N2	5	38.00
	CRX0143DE	0.11	140	14.00	14.00	12.13	10.00	10.50	0.188	N2	5	38.00
144	CRX0144AE	0.19	190	23.50	16.50	17.90	22.40	6.50	0.56	CH2	5	83.00
	CRX0144BE	0.35	240	26.10	20.50	25.90	25.00	6.50	0.56	CH4	5	114.00
156	CRX0156AE	0.15	210	14.00	14.00	12.13	10.00	10.50	0.188	N2	5	42.00
	CRX0156BE	0.24	260	23.50	16.50	17.90	22.40	6.50	0.56	CH2	5	63.00
170	CRX0170AE	0.06	100	14.00	14.00	12.13	10.00	10.50	0.188	N2	5	33.00
	CRX0170BE	0.06	100	14.00	14.00	12.13	10.00	10.50	0.188	N2	5	33.00
	CRX0170CE	0.10	130	14.00	14.00	12.13	10.00	10.50	0.188	N2	5	44.00
	CRX0170DE	0.10	130	14.00	14.00	12.13	10.00	10.50	0.188	N2	5	44.00
180	CRX0180AE	0.13	180	23.50	16.50	17.90	22.40	6.50	0.56	CH2	5	85.00
	CRX0180BE	0.21	250	23.50	16.50	17.90	22.40	6.50	0.56	CH2	5	94.00
192	CRX0192AE	0.15	200	23.50	16.50	17.90	22.40	6.50	0.56	CH2	5	84.00
	CRX0192BE	0.25	325	23.50	16.50	17.90	22.40	6.50	0.56	CH2	5	121.00
200	CRX0200CE	0.11	195	23.5	16.5	17.9	22.4	6.5	0.56	CH2	5	75
211	CRX0211AE	0.046	125	14	14	12.13	10	10.5	0.188	N2	5	34
	CRX0211BE	0.046	125	14	14	12.13	10	10.5	0.188	N2	5	34
	CRX0211CE	0.077	180	23.5	16.5	17.9	22.4	6.5	0.56	CH2	5	70
	CRX0211DE	0.096	225	23.5	16.5	17.9	22.4	6.5	0.56	CH2	5	89
240	CRX0240AE	0.096	225	23.5	16.5	17.9	22.4	6.5	0.56	CH2	5	89
	CRX0240BE	0.16	435	26.1	20.5	25.9	25	6.5	0.56	CH4	5	195
242	CRX0242AE	0.117	275	23.5	16.5	17.9	22.4	6.5	0.56	CH2	5	90
	CRX0242BE	0.195	360	26.1	20.5	25.9	25	6.5	0.56	CH4	5	127

Note: Please refer to Pages 226 to 237 for enclosure dimensional specifications

All dimensions in inches



Standard Three Phase Reactor Enclosed Specification Charts

60 Hz

Current (Amps)	Part Number	Inductance (mH)	Watt Loss	Dimensions					Mtg Slot/ Hole Size	Enclosure Style	Termination Style Ref. # (pg 120)	Weight (lb)
				Width	Depth	Height	Mtg. Width	Mtg. Depth				
273	CRX0273AE	0.04	130	23.50	16.50	17.90	22.40	6.50	0.56	CH2	5	74.00
	CRX0273BE	0.04	130	23.50	16.50	17.90	22.40	6.50	0.56	CH2	5	74.00
	CRX0273CE	0.06	200	26.10	20.50	25.90	25.00	6.50	0.56	CH4	5	107.00
	CRX0273DE	0.08	310	26.10	20.50	25.90	25.00	6.50	0.56	CH4	5	124.00
289	CRX0289AE	0.10	290	26.10	20.50	25.90	25.00	6.50	0.56	CH4	5	115.00
	CRX0289BE	0.16	435	26.10	20.50	25.90	25.00	6.50	0.56	CH4	5	195.00
302	CRX0302AE	0.08	310	26.10	20.50	25.90	25.00	6.50	0.56	CH4	5	124.00
	CRX0302BE	0.13	475	26.10	20.50	25.90	25.00	6.50	0.56	CH4	5	211.00
336	CRX0336AE	0.08	360	26.10	20.50	25.90	25.00	6.50	0.56	CH4	5	150.00
	CRX0336BE	0.13	475	26.10	20.50	25.90	25.00	6.50	0.56	CH4	5	211.00
343	CRX0343AE	0.03	200	26.10	20.50	25.90	25.00	6.50	0.56	CH4	5	97.00
	CRX0343BE	0.03	200	26.10	20.50	25.90	25.00	6.50	0.56	CH4	5	97.00
	CRX0343CE	0.05	230	26.10	20.50	25.90	25.00	6.50	0.56	CH4	5	106.00
	CRX0343DE	0.06	325	26.10	20.50	25.90	25.00	6.50	0.56	CH4	5	135.00
361	CRX0361AE	0.06	325	26.10	20.50	25.90	25.00	6.50	0.56	CH4	5	135.00
	CRX0361BE	0.10	445	28.10	21.30	28.90	27.00	6.50	0.56	CH5	5	203.00
382	CRX0382AE	0.07	435	28.10	21.30	28.90	27.00	6.50	0.56	CH5	5	172.00
	CRX0382BE	0.12	580	28.10	21.30	28.90	27.00	6.50	0.56	CH5	5	236.00
396	CRX0396AE	0.03	200	26.10	20.50	25.90	25.00	6.50	0.56	CH4	5	97.00
	CRX0396BE	0.03	200	26.10	20.50	25.90	25.00	6.50	0.56	CH4	5	97.00
	CRX0396CE	0.04	300	26.10	20.50	25.90	25.00	6.50	0.56	CH4	5	132.00
	CRX0396DE	0.04	300	26.10	20.50	25.90	25.00	6.50	0.56	CH4	5	132.00
412	CRX0412AE	0.07	435	28.10	21.30	28.90	27.00	6.50	0.56	CH5	5	172.00
	CRX0412BE	0.11	550	28.10	21.30	28.90	27.00	6.50	0.56	CH5	5	202.00
414	CRX0414AE	0.06	400	28.10	21.30	28.90	27.00	6.50	0.56	CH5	5	181.00
	CRX0414BE	0.08	505	28.10	21.30	28.90	27.00	6.50	0.56	CH5	5	199.00
472	CRX0472AE	0.06	400	28.10	21.30	28.90	27.00	6.50	0.56	CH5	5	181.00
	CRX0472BE	0.10	560	28.10	21.30	28.90	27.00	6.50	0.56	CH5	5	227.00
477	CRX0477AE	0.05	420	33.50	23.00	31.20	32.50	9.00	0.56	CH6	6	231.00
	CRX0477BE	0.08	600	33.50	23.00	31.20	32.50	9.00	0.56	CH6	6	306.00
515	CRX0515AE	0.05	420	33.50	23.00	31.20	32.50	9.00	0.56	CH6	6	231.00
	CRX0515BE	0.08	600	33.50	23.00	31.20	32.50	9.00	0.56	CH6	6	306.00
528	CRX0528AE	0.02	220	28.10	21.30	28.90	27.00	6.50	0.56	CH5	6	130.00
	CRX0528BE	0.02	220	28.10	21.30	28.90	27.00	6.50	0.56	CH5	6	130.00
	CRX0528CE	0.03	355	28.10	21.30	28.90	27.00	6.50	0.56	CH5	6	158.00
	CRX0528DE	0.04	495	28.10	21.30	28.90	27.00	6.50	0.56	CH5	6	189.00
590	CRX0590AE	0.04	495	28.10	21.30	28.90	27.00	6.50	0.56	CH5	6	189.00
	CRX0590BE	0.06	680	33.50	23.00	31.20	32.50	9.00	0.56	CH6	6	306.00
600	CRX0600CE	0.046	525	33.5	23	31.2	32.5	9	0.56	CH6	6	296
	CRX0600EE	0.077	675	33.5	23	31.2	32.5	9	0.56	CH6	6	316
700	CRX0700CE	0.039	615	33.5	23	31.2	32.5	9	0.56	CH6	6	257
	CRX0700EE	0.066	860	33.5	23	31.2	32.5	9	0.56	CH6	6	332
720	CRX0720AE	0.031	480	33.5	23	31.2	32.5	9	0.56	CH6	6	231
750	CRX0750CE	0.037	600	33.5	23	31.2	32.5	9	0.56	CH6	6	229
	CRX0750DE	0.049	770	33.50	23.00	31.20	32.50	9	0.56	CH6	6	303
	CRX0750EE	0.061	940	33.50	23.00	31.20	32.50	9	0.56	CH6	6	341
840	CRX0840AE	0.027	570	33.5	23	31.2	32.5	9	0.56	CH6	6	236
900	CRX0900CE	0.031	750	33.5	23	31.2	32.5	9	0.56	CH6	7	286
	CRX0900DE	0.041	950	33.5	23	31.2	32.5	9	0.56	CH6	7	331
	CRX0900EE	0.051	1075	33.5	23	31.2	32.5	9	0.56	CH6	7	376
960	CRX0960AE	0.022	675	33.5	23	31.2	32.5	9	0.56	CH6	7	356
1000	CRX1000CE	0.028	785	33.5	23	31.2	32.5	9	0.56	CH6	7	386
	CRX1000DE	0.037	820	33.5	23	31.2	32.5	9	0.56	CH6	7	450
	CRX1000EE	0.046	970	33.5	23	31.2	32.5	9	0.56	CH6	7	491
1080	CRX1080AE	0.022	675	33.5	23	31.2	32.5	9	0.56	CH6	7	356
1200	CRX1200AE	0.018	710	33.5	23	31.2	32.5	9	0.56	CH6	7	336
	CRX1200CE	0.023	880	33.5	23	31.2	32.5	9	0.56	CH6	7	350
	CRX1200DE	0.031	1100	33.5	23	31.2	32.5	9	0.56	CH6	7	423
	CRX1200EE	0.038	1100	33.5	23	31.2	32.5	9	0.56	CH6	7	508

Note: Please refer to Pages 226 to 237 for enclosure dimensional specifications

All dimensions in inches



Standard Three Phase Reactor Enclosed Specification Charts

50 Hz

Current (Amps)	Part Number	Inductance (mH)	Watt Loss	Dimensions					Mtg Slot/ Hole Size	Enclosure Style	Termination Style Ref. # (pg 120)	Weight (lb)
				Width	Depth	Height	Mtg. Width	Mtg. Depth				
1.2	CRX01D2NE	33.94	15	10	8	8.13	7	6.5	0.188	N1	1	7.5
1.6	CRX01D6NE	23.55	12	10	8	8.13	7	6.5	0.188	N1	1	7.5
1.6	CRX0002NE	17.83	21	10	8	8.13	7	6.5	0.188	N1	1	8
2.1	CRX02D1NE	10.61	19	10	8	8.13	7	6.5	0.188	N1	1	7.5
	CRX02D1PE	17.83	21	10	8	8.13	7	6.5	0.188	N1	1	8
3	CRX0003NE	7.06	22	10	8	8.13	7	6.5	0.188	N1	1	8
	CRX0003PE	10.61	35	10	8	8.13	7	6.5	0.188	N1	1	8
3.4	CRX03D4NE	10.61	35	10	8	8.13	7	6.5	0.188	N1	1	8
3.7	Consult Factory											
	Consult Factory											
4.5	Consult Factory											
4.8	CRX04D8NE	4.70	22	10	8	8.13	7	6.5	0.188	N1	1	8
	CRX04D8PE	7.78	35	10	8	8.13	7	6.5	0.188	N1	1	9.5
7.5	CRX07D5NE	5.09	40	10	8	8.13	7	6.5	0.188	N1	2	16
8	CRX0008NE	2.57	36	10	8	8.13	7	6.5	0.188	N1	2	10
	CRX0008PE	4.67	29	10	8	8.13	7	6.5	0.188	N1	1	8
11	CRX0011NE	3.40	39	10	8	8.13	7	6.5	0.188	N1	2	16
11.8	CRX11D8NE	1.66	51	10	8	8.13	7	6.5	0.188	N1	2	15.5
	CRX11D8PE	2.73	57	10	8	8.13	7	6.5	0.188	N1	2	16.5
14	CRX0014NE	2.73	57	10	8	8.13	7	6.5	0.188	N1	2	16.5
15.6	CRX15D6NE	1.28	51	10	8	8.13	7	6.5	0.188	N1	2	16
	CRX15D6PE	2.14	77	10	8	8.13	7	6.5	0.188	N1	2	17
18	CRX0018NE	2.14	77	10	8	8.13	7	6.5	0.188	N1	2	17
21	CRX0021NE	2.14	77	10	8	8.13	7	6.5	0.188	N1	2	17
23	CRX0023NE	1.06	57	10	8	8.13	7	6.5	0.188	N1	3	16.5
	CRX0023PE	1.43	80	14	14	12.13	10	10.5	0.188	N2	3	22.5
25	CRX0025NE	1.77	93	14	14	12.13	10	10.5	0.188	N2	3	21.5
30.5	CRX30D5NE	0.68	80	10	8	8.13	7	6.5	0.188	N1	3	17.5
	CRX30D5PE	1.13	115	14	14	12.13	10	10.5	0.188	N2	3	22
33	CRX0033NE	1.13	115	14	14	12.13	10	10.5	0.188	N2	3	22
37.8	CRX37D8NE	0.55	68	10	8	8.13	7	6.5	0.188	N1	3	17
	CRX37D8PE	0.94	105	14	14	12.13	10	10.5	0.188	N2	3	22.5
45.2	CRX45D2NE	0.45	130	14	14	12.13	10	10.5	0.188	N2	3	29
	CRX45D2PE	0.74	170	14	14	12.13	10	10.5	0.188	N2	3	35
45	CRX0045NE	0.91	130	14	14	12.13	10	10.5	0.188	N2	3	35
55	CRX0055NE	0.74	170	14	14	12.13	10	10.5	0.188	N2	3	35
59.8	CRX59D8NE	0.36	110	14	14	12.13	10	10.5	0.188	N2	4	35
	CRX59D8PE	0.60	216	14	14	12.13	10	10.5	0.188	N2	4	40
65	CRX0065NE	0.60	216	14	14	12.13	10	10.5	0.188	N2	4	40
74.4	CRX74D4NE	0.29	105	14	14	12.13	10	10.5	0.188	N2	4	31
	CRX74D4PE	0.49	160	14	14	12.13	10	10.5	0.188	N2	4	34
80	CRX0080NE	0.48	210	14	14	12.13	10	10.5	0.188	N2	4	58
89	CRX0089NE	0.24	120	14	14	12.13	10	10.5	0.188	N2	4	34
	CRX0089PE	0.39	170	14	14	12.13	10	10.5	0.188	N2	4	59
96	CRX0096NE	0.39	170	14	14	12.13	10	10.5	0.188	N2	4	59
111	Consult Factory											
	CRX0111PE	0.30	185	14	14	12.13	10	10.5	0.188	N2	5	58
130	CRX0130NE	0.35	240	26.1	20.5	25.9	25	6.5	0.56	CH4	5	114
147	CRX0147NE	0.15	210	14	14	12.13	10	10.5	0.188	N2	5	42
	CRX0147PE	0.24	260	23.5	16.5	17.9	22.4	6.5	0.56	CH2	5	63
160	CRX0160NE	0.24	260	23.5	16.5	17.9	22.4	6.5	0.56	CH2	5	63

Note: Please refer to Pages 226 to 237 for enclosure dimensional specifications

All dimensions in inches

SECTION 3



Standard Three Phase Reactor Enclosed Specification Charts

50 Hz

Current (Amps)	Part Number	Inductance (mH)	Watt Loss	Dimensions					Mtg Slot/ Hole Size	Enclosure Style	Termination Style Ref. # (pg 120)	Weight (lb)
				Width	Depth	Height	Mtg. Width	Mtg. Depth				
183	CRX0183NE	0.13	180	23.5	16.5	17.9	22.4	6.5	0.56	CH2	5	85
	CRX0183PE	0.20	360	26.1	20.5	25.9	25	6.5	0.56	CH4	5	127
219	CRX0219NE	0.10	225	23.5	16.5	17.9	22.4	6.5	0.56	CH2	5	89
	CRX0219PE	0.16	435	26.1	20.5	25.9	25	6.5	0.56	CH4	5	195
291	CRX0291NE	0.08	310	26.1	20.5	25.9	25	6.5	0.56	CH4	5	124
	CRX0291PE	0.12	580	28.1	21.3	28.9	27	6.5	0.56	CH5	5	236

Note: Please refer to Pages 226 to 237 for enclosure dimensional specifications

All dimensions in inches

SECTION 3



DV/DT Filters

The advent of pulse width modulated (PWM) inverters with IGBT high speed transistors has resulted in smaller more cost effective drives and increased switching speeds. A waveform with increased harmonics at higher frequencies is the result of these much faster switching devices, usually at frequencies of 10,000 to 20,000 Hertz.

Drives and motors often need to be separated by significant distances. For deep wells or mines, the motors are usually controlled on the surface. As a result, the distance between the drive and the motor creates long motor lead lengths. In some plant applications, the motors can withstand the harsh environment, but the sensitive variable frequency drive cannot. This again results in long lead lengths to the motor.

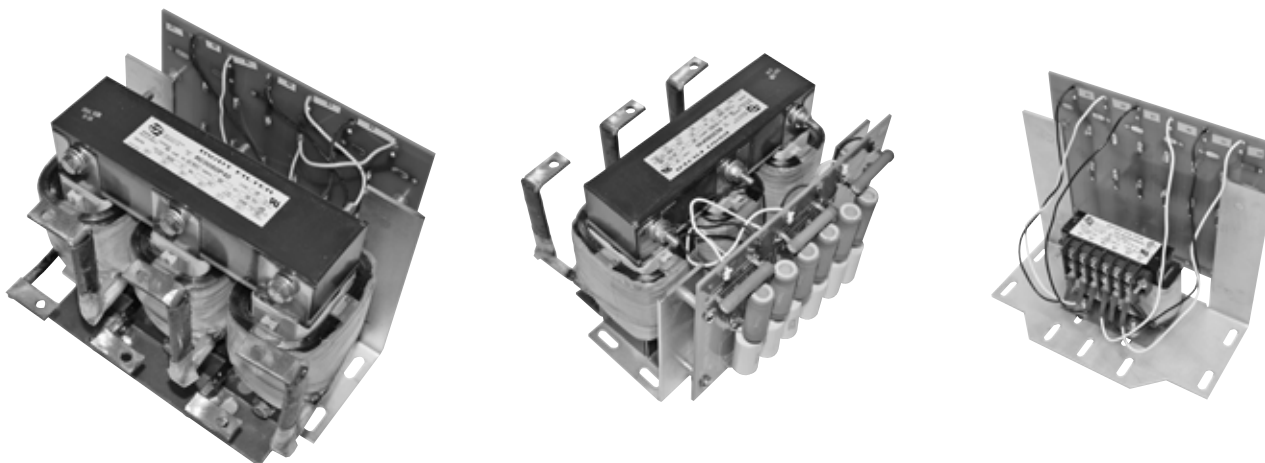
Most manufactures of variable frequency drives will publish a recommended maximum distance between their equipment and the motor. Sometimes these recommendations create application difficulties, thus increased motor lead lengths are inevitable. DV/DT is explained as the steep-front voltage pulses that travel down these long leads in the circuit to the motor and subsequently reverted back in a "reflective wave". When the conductors are long enough, usually 20 feet or more, the time for reflection matches the time for transmission resulting in a high amplitude 'standing wave' on the circuit. Voltage spikes of up to 2100 volts are frequently experienced for 600 volt systems and motor winding failures are the result.

A DV/DT filter, combines the current limiting ability of an AC line reactor plus a resistive capacitance circuit that forms a damped, low pass filter. It provides protection for the motor by slowing the rate of voltage increase and minimizing the peak voltage that occurs at the motor terminals.

The cost of a DV/DT Filter is a little more than the cost of the reactor and can be mounted next to the drive, or inside the PWM enclosure.

APPLICATIONS

The HPS RC series DV/DT filters are specifically designed for drive/motor applications with long lead lengths (usually where the motor cable length is 20 feet and greater). They should always be installed next to the IGBT variable frequency drive. Typical installation applications include production process lines, conveyor systems and deep wells.



TYPICAL "RC" DV/DT FILTERS PERFORMANCE

The RC series DV/DT filters combine appropriate values of inductance, capacitance and resistance to form a filter which reduces DV/DT and peak voltages from the PWM voltage waveform. This combined with a 3% impedance reactor, that will reduce motor heating harmonics, will significantly increase the life of the motor.

Long lead length motor drive applications can experience motor terminal peak voltage spikes twice the DC bus voltage, and higher. Therefore motor terminal voltage peaks of 1200 volts for 480V drives and 1600 volts for 600V drives are not uncommon. The highest peak voltages will typically occur in lower HP applications.

Standard "RC" DV/DT Filter Specifications

RATINGS:

Nominal Inductance +/- 10% @ rated current.
 95% of nominal inductance @ 150% rated current.
 50% of nominal inductance @ 350% of rated current.

The above performance indicates that even at very substantial overload conditions (even beyond what other equipment in the circuit could tolerate), the RM Line Reactor will still provide current limiting performance against total harmonic distortion generated by the drive system.

INSULATION SYSTEM:

200° C (115° C rise) up to 160 amps (40° C ambient)
 220° C (115° C rise) over 160 amps (60° C ambient)

FREQUENCY:

60 Hz Fundamental Current Maximum.

COOLING METHOD:

Natural convection

SYSTEM VOLTAGE:

600 Volts Maximum

SOUND LEVEL:

2 to 18 amps:	58 dBA
130 to 320 amps:	70 dBA
25 to 100 amps:	64 dBA
400 to 600 amps:	75 dBA

ENCLOSURE: (when specified)

Type 2 or type 3R

HARMONIC WITHSTAND:

HPS DV/DT filters are designed to withstand harmonics associated with the output side of variable speed drives including IGBT type inverters.

SWITCHING FREQUENCY:

2.5 KHz up to 20 KHz.

APPROVALS:

UL File No.: E61431
 CSA File No.: LR 3902



"RC" DV/DT Filter Selection

SELECTION GUIDELINES

HPS RC filters are current rated devices. Therefore, to properly size and select the correct unit for your application, it is necessary to know the total motor load on the inverter. All RC filters are designed to be located next to the output terminals of the drive with symmetrical configured three phase cable used to connect the RC filter to the motor. Placement of these filters anywhere else will negatively impact the units performance.

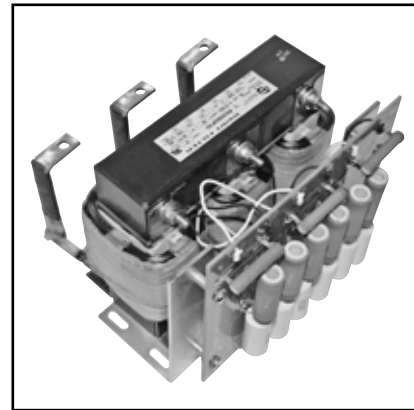
DV/DT Filter Part Number Guide

RC 0002 M 32 *

- ↑ Further suffix to follow. **Add suffix "E" for Enclosure.**
- ↑ Inductance Value
- ↑ The inductance value is preceded with a letter to designate the position of the decimal point to determine the inductance. The letters are as follows:
 - 'M' XX. mH
 - 'N' X.X mH
 - 'P' 0.XX mH
 - 'U' .0XX mH or XX.0 uH
- ↑ Example: M32 is 32.0 mH
- ↑ 4 digits for current rating
- ↑ DV/DT Filter

Note: As all characters of the P/N represent performance values of the reactor, P/N's are not completely sequential. They are sorted by current rating.

The DV/DT filters have had the reactor selected in such a manner that the 3% impedance is approximately maintained at both the 600 and 480 system voltage level. Utilizing a 3% reactor provides optimum performance and protection for the motor. Using smaller impedance reactors will not protect against the same current peaks and motor performance would therefore be diminished.



* Add the Suffix "E" to the standard part number below for an Enclosed unit.

"RC" DV/DT FILTER SELECTION TABLE FOR 600V OR 480V, 3% IMPEDANCE, 60 Hz

Current (Amps)	Part Number	Inductance	Watts Loss	Dimensions					Mtg Slot/Hole Size	Dim. Fig. # (Page122)	Encl. Fig. #	Weight (Lbs.)	Enclosed Weight (Lbs.)
				W	D	H	Mtg. W	Mtg. D					
2	RC0002M12	12.0	62	9.00	6.18	7.40	8.25	2	.28 x .88	7	N1	4	11
4	RC0004N65	6.50	68	9.00	6.18	7.40	8.25	2	.28 x .88	7	N1	5	12
8	RC0008N30	3.00	80	9.00	6.18	7.40	8.25	2	.28 x .88	7	N1	5	12
12	RC0012N25	2.50	81	9.00	6.18	7.40	8.25	2	.28 x .88	8	N1	10	17
18	RC0018N15	1.50	84	9.00	6.18	7.40	8.25	2	.28 x .88	8	N1	11	18
25	RC0025N12	1.20	99	9.00	6.18	7.40	8.25	2	.28 x .88	8	N1	12	19
35	RC0035P80	0.80	106	9.00	6.18	7.40	8.25	2	.28 x .88	9	N2	19	36
45	RC0045P70	0.70	119	9.00	6.42	7.40	8.25	2	.28 x .88	9	N2	24	41
55	RC0055P50	0.50	130	9.00	6.27	7.40	8.25	2	.28 x .88	10	N2	28	45
80	RC0080P40	0.40	193	9.00	7.83	7.40	8.25	2	.28 x .88	10	N2	38	55
110	RC0110P30	0.30	423	14.0	8.70	11.62	3.6/4.8	4.20	.44 X 1.25	11	NH5	55	95
130	RC0130P20	0.20	415	14.0	8.20	11.62	3.6/4.8	3.73	.44 X 1.25	11	NH5	44	88
160	RC0160P15	0.15	429	14.0	8.70	11.62	3.6/4.8	4.23	.44 X 1.25	11	NH5	49	89
200	RC0200P11	0.11	414	14.0	9.23	11.62	3.6/4.8	4.23	.44 X 1.25	11	NH6	55	115
250	RC0250U90	0.090	431	14.0	9.73	11.62	3.6/4.8	4.70	.44 X 1.25	11	NH6	68	128
320	RC0320U75	0.075	484	14.4	9.50	11.43	4.80	5.94	.44 X 1.00	12	NH6	90	150
400	RC0400U61	0.061	477	14.4	11.5	11.43	4.80	6.44	.44 X 1.00	12	NH6	118	178
500	RC0500U50	0.05	496	14.4	11.5	11.43	4.80	6.44	.44 X 1.00	12	NH3	154	231
600	RC0600U40	0.040	523	14.4	12.0	11.43	4.80	6.94	.44 X 1.00	12	NH4	180	287

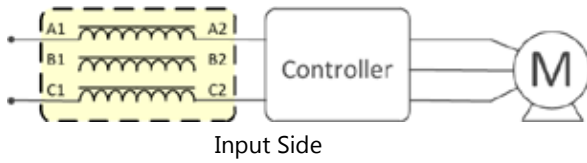
Note: Please refer to pages 226 to 237 for enclosure dimensional specifications



Connection Diagrams

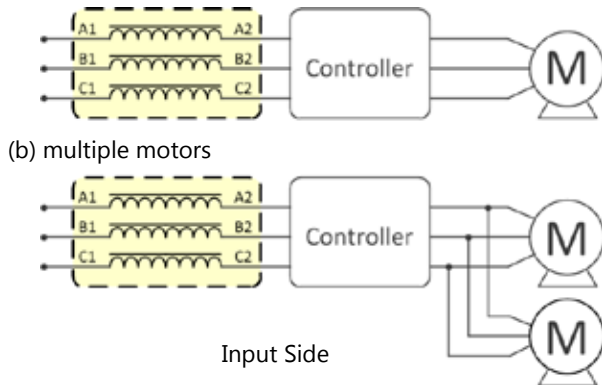
Single Phase

(a) single motor

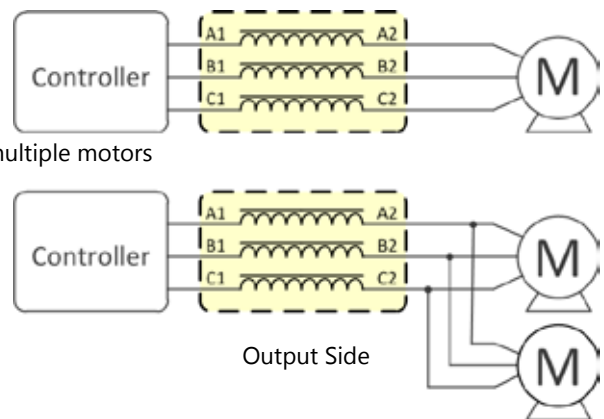


Three Phase

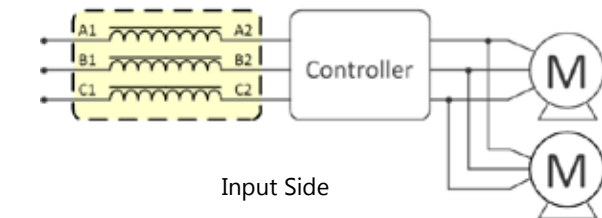
(a) single motor



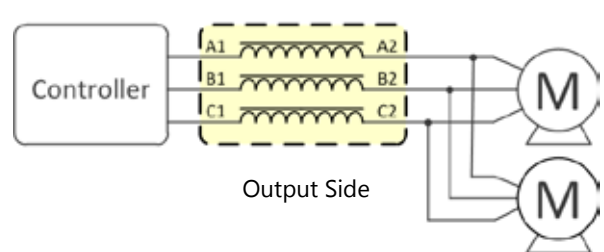
(a) single motor



(b) multiple motors



(b) multiple motors

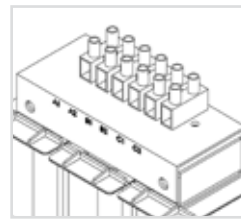


Termination Details

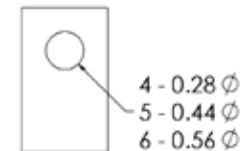
HPS Centurion® R

Termination Style Ref #	Suitable For	Amps
1	18-14 AWG	9
2	13-10 AWG	27
3	4-14 AWG	64
4	1/4 inch hardware	110
5	3/8 inch hardware	472
6	1/2 inch hardware	840
7	4 x 1/2 inch hardware	1200

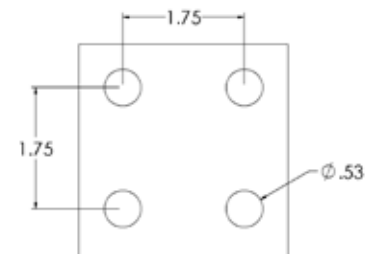
Ref. #1, 2, 3



Ref. #4, 5, 6



Ref. #7



Use applicable terminal block

SECTION 3

HPS Centurion R Core & Coil Reference Drawings

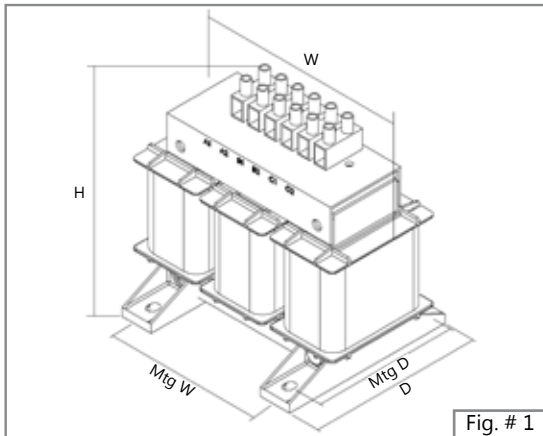


Fig. # 1

Mounting hardware

(not included)
 4 pcs - 1/4 in. bolts
 4 pcs - 1/4 in. nuts
 8 pcs - 1/4 in. flat washers
 4 pcs - 1/4 in. lock washers
 Max. tightening torque: 5.5 ft-lb

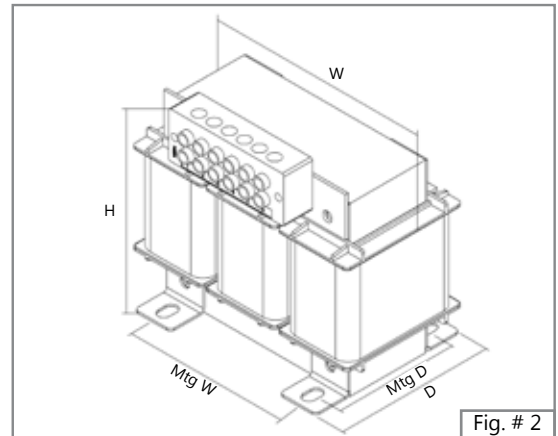


Fig. # 2

Mounting hardware

(not included)
 4 pcs - 5/16 in. bolts
 4 pcs - 5/16 in. nuts
 8 pcs - 5/16 in. flat washers
 4 pcs - 5/16 in. lock washers
 Max. tightening torque: 18 ft-lb

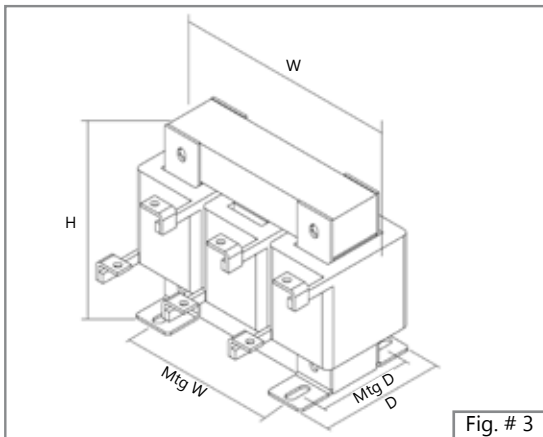


Fig. # 3

Mounting hardware (not included)	.38x.5 slot	.44x1.0 slot
4 pcs bolts	5/16 in.	3/8 in.
4 pcs nuts	5/16 in.	3/8 in.
8 pcs flat washers	5/16 in.	3/8 in.
4 pcs lock washers	5/16 in.	3/8 in.
Max. tightening torque	18 ft-lb	28 ft-lb

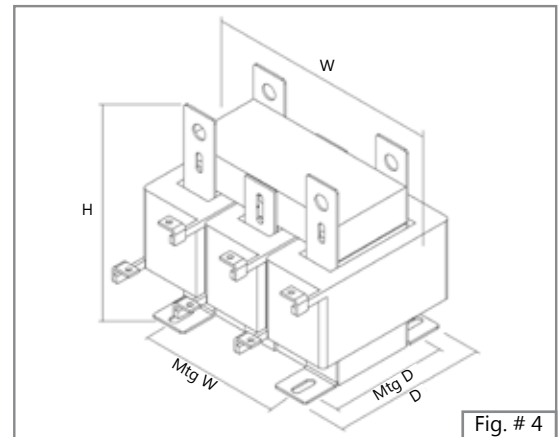


Fig. # 4

Mounting hardware

(not included)
 4 pcs - 3/8 in. bolts
 4 pcs - 3/8 in. nuts
 8 pcs - 3/8 in. flat washers
 4 pcs - 3/8 in. lock washers
 Max. tightening torque: 28 ft-lb

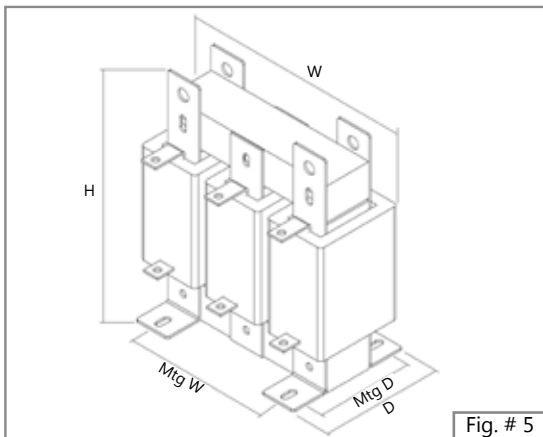
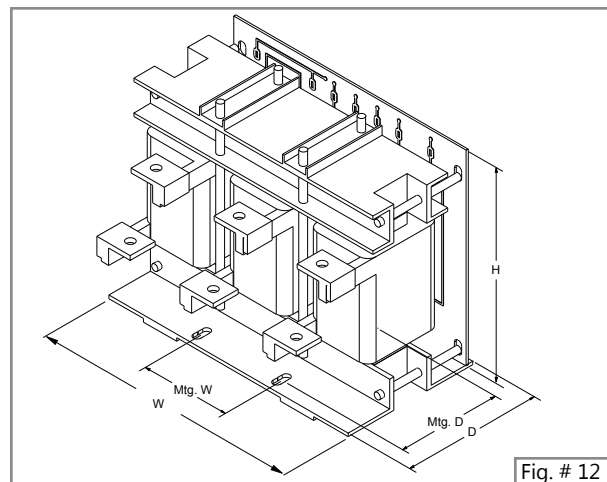
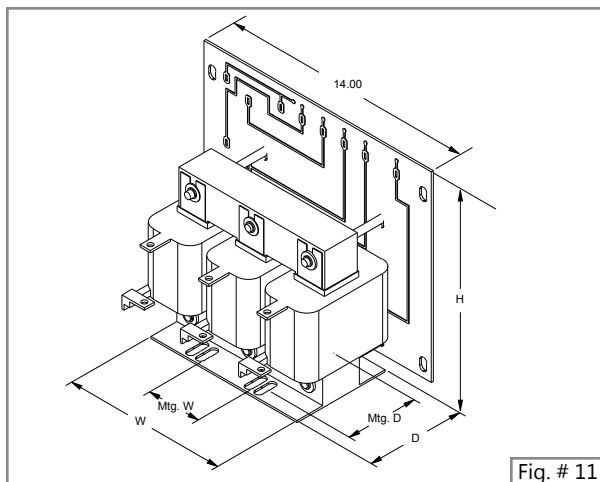
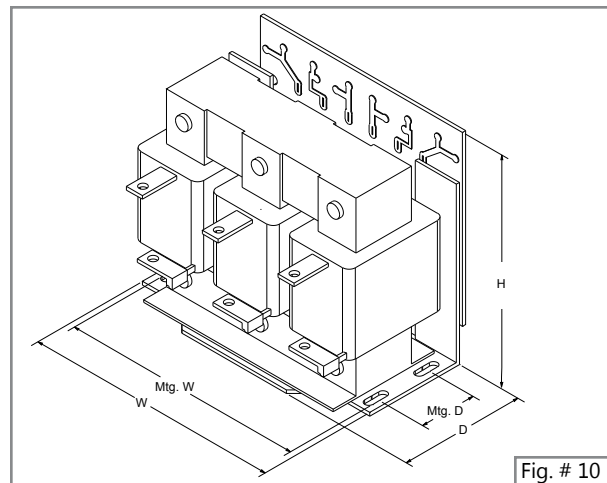
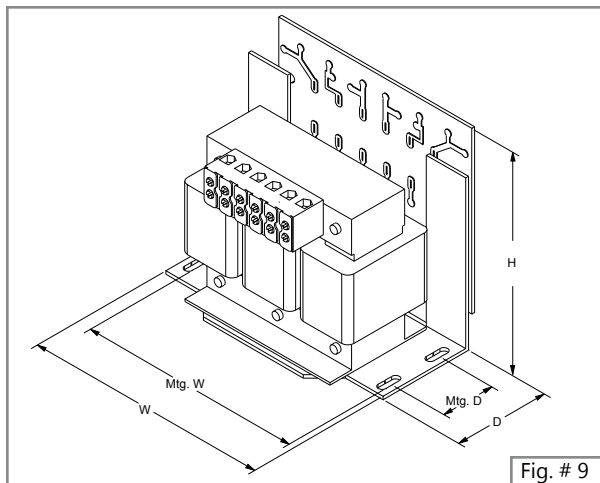
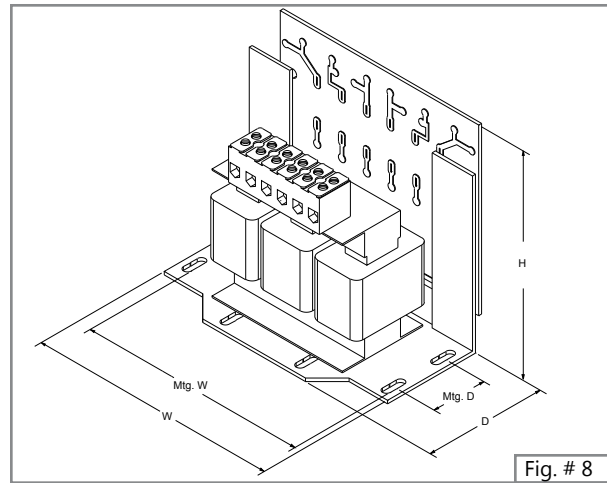
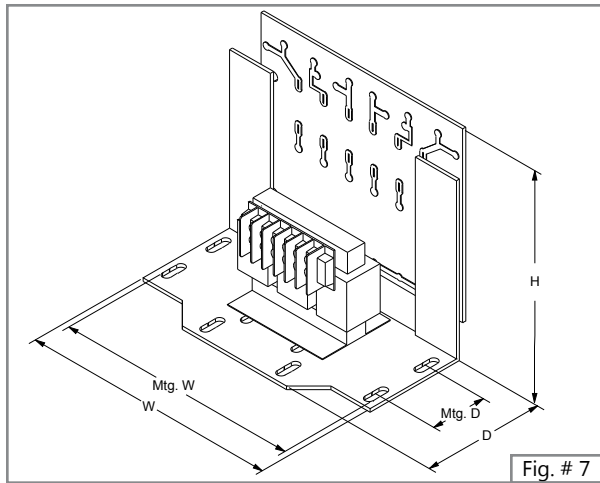


Fig. # 5

Mounting hardware

(not included)
 4 pcs - 3/8 in. bolts
 4 pcs - 3/8 in. nuts
 8 pcs - 3/8 in. flat washers
 4 pcs - 3/8 in. lock washers
 Max. tightening torque: 28 ft-lb

RC DV/DT Filter Core & Coil Reference Drawings



SECTION 3



SECTION 4

STANDARD & ENERGY EFFICIENT DRIVE ISOLATION TRANSFORMERS

Aluminum and Copper Wound Three Phase

Description and Applications	124
Selecting Drive Isolation Transformers	124
<u>Standard Drive Isolation Transformers:</u>	
Standard Aluminum and Copper Specifications	125
Standard Aluminum Selection Tables	126
Standard Copper Selection Tables	130
Termination Details	135
<u>HPS Tribune Energy Efficient Drive Isolation Transformers:</u>	
HPS Tribune - Aluminum and Copper Standard Specifications	136
HPS Tribune - Aluminum Selection Tables	137
HPS Tribune - Copper Selection Tables	141
Termination Details	146
Enclosure Drawings	226
Accessories - Enclosure Mounting Kits, Anti-Vibration Pads & Isolators	238
Electrical Schematics and Connections	243

THREE PHASE, DRIVE ISOLATION TRANSFORMERS

With today's technological advances in solid-state power control devices, the use of AC and DC variable speed drives has proliferated in many industrial markets. General purpose distribution transformers are not adequate for this type of application.

HPS Drive Isolation Transformers are designed to meet the rugged demands of both AC and DC variable speed drives and also to provide the required voltage change. The separate primary and secondary windings provide electrical isolation between the incoming line and the SCR load. The windings are designed to withstand overcurrent of 150% of the rated load for 60 seconds or 200% of the rated load for 30 seconds. (A duty cycle of one start for every two hours is permitted.)

Drive Isolation Transformers are sized to match standard motor horsepower and voltage ratings. Standard sizes range from 5 to 600 HP in six standard voltages. Non-standard sizes and voltages are available upon request.



SELECTION INSTRUCTIONS

Select the Drive Isolation Transformer according to the recommendations from the motor drive system manufacturer or supplier. If this information is unavailable, use the table below as a guide for selecting the transformer kVA for a required motor horsepower.

Motor H.P.	Transformer kVA
5	7.5
7.5	11
10	14
15	20
20	27
25	34
30	40
40	51
50	63
60	75

Motor H.P.	Transformer kVA
75	93
100	118
125	145
150	175
200	220
250	275
300	330
400	440
500	550
600	660

FOR TERMINATION DETAILS SEE PAGE 135

FOR ACCESSORIES SEE PAGES 238 TO 241

Data subject to change without notice.



ALUMINUM AND COPPER WOUND FEATURES

THREE PHASE STANDARD SPECIFICATIONS



	7.5 to 175 kVA	220 to 660 kVA
UL Listed	File: E112313	File: E112313
CSA Certified	File: LR3902	File: LR3902
Frequency	60 Hz	60 Hz
Insulation System	220°C (150°C rise) 200°C (130°C rise) on some Copper units up to 40kVA	220°C (150°C rise) (Optional 115°C and 80°C rise available)
Enclosure Type	Heavy duty ventilated type 3R Optional type 4, 4X (stainless steel) and 12	Heavy duty ventilated type 3R Optional type 4, 4X (stainless steel) and 12
Enclosure Finish	ANSI 61 Grey, UL50	ANSI 61 Grey, UL50
Neutral	Neutral terminal for field connection (on applicable units).	Neutral terminal for field connection (on applicable units).
Standard Primary Taps	Refer to wiring diagrams for details.	Refer to wiring diagrams for details.
Termination	Front accessible separate high and low voltage terminations; suitable for copper and aluminum are provided for easy cable installation.	Front accessible separate high and low voltage terminations, suitable for copper and aluminum are provided for easy cable installation.
Thermostat	Standard on all units.	Standard on all units.
Conduit Knock-Outs	Standard on all units (no knock-outs on Stainless Steel enclosures).	None
Impedance	Typically 3 to 6%	Typically 3 to 6%
Mounting	Floor mounting available on all units. Wall & ceiling mount available on units up to 750 lbs. Refer to selection tables for details.	Floor mounting only.
Short Circuit Withstand	Meets UL and CSA short circuit withstand requirements.	Meets UL and CSA short circuit withstand requirements.

Selection Tables

Listed below are our standard voltages. Other primary and secondary voltages available are 240, 380 and 600.



ALUMINUM WOUND, THREE PHASE

208 Delta Primary Volts

480Y Secondary Volts

60 Hz

kVA	Catalog Number	Case Style (Pages 226 - 234)	Dimensions			Approx. Weight (Lbs.)	Mtg Type W - Wall F - Floor	Wiring Diagram (Pages 243 - 258)
			Width	Depth	Height			
7.5	DM007BK	NH5	19.40	20.20	21.50	150	F or W *	SCD 8
11	DM011BK	NH5	19.40	20.20	21.50	160	F or W *	SCD 8
14	DM014BK	NH5	19.40	20.20	21.50	170	F or W *	SCD 8
20	DM020BK	NH6	23.90	25.00	28.75	240	F or W *	SCD 7
27	DM027BK	NH6	23.90	25.00	28.75	300	F or W *	SCD 7
34	DM034BK	NH6	23.90	25.00	28.75	330	F or W *	SCD 7
40	DM040BK	NH6	23.90	25.00	28.75	350	F or W *	SCD 7
51	DM051BK	NH6	23.90	25.00	28.75	430	F or W *	SCD 7
63	DM063BK	NH3	26.00	25.00	38.00	530	F or W *	SCD 7
75	DM075BK	NH3	26.00	25.00	38.00	580	F or W *	SCD 7
93	DM093BK	NH3	26.00	25.00	38.00	630	F or W *	SCD 7
118	DM118BK	NH3	26.00	25.00	38.00	730	F or W *	SCD 7
145	DM145BK	NH4	32.00	29.50	41.00	830	F	SCD 7
175	DM175BK	NH4	32.00	29.50	41.00	930	F	SCD 7
220	DM220BK	NH4	32.00	29.50	41.00	1350	F	SCD 9
275	DM275BK	NJ1	39.50	34.00	51.50	1500	F	SCD 9
330	DM330BK	NJ1	39.50	34.00	51.50	1700	F	SCD 9
440	DM440BK	NJ2	48.50	38.40	59.00	2100	F	SCD 10
550	DM550BK	NJ2	48.50	38.40	59.00	2350	F	SCD 10
660	DM660BK	NJ3	51.50	43.40	66.00	2900	F	SCD 10

For shielded units, please add the suffix "S" to the above part numbers. (i.e. DM075BKS)

*WALL MOUNTING KIT AND/OR DRIP PLATE KIT REQUIRED. REFER TO PAGES 238 TO 239 FOR DETAILS.

230 Delta Primary Volts

230Y Secondary Volts

60 Hz

kVA	Catalog Number	Case Style (Pages 226 - 234)	Dimensions			Approx. Weight (Lbs.)	Mtg Type W - Wall F - Floor	Wiring Diagram (Pages 243 - 258)
			Width	Depth	Height			
7.5	DM007CC	NH5	19.40	20.20	21.50	150	F or W *	SCD 8
11	DM011CC	NH5	19.40	20.20	21.50	160	F or W *	SCD 8
14	DM014CC	NH5	19.40	20.20	21.50	170	F or W *	SCD 8
20	DM020CC	NH6	23.90	25.00	28.75	240	F or W *	SCD 7
27	DM027CC	NH6	23.90	25.00	28.75	300	F or W *	SCD 7
34	DM034CC	NH6	23.90	25.00	28.75	330	F or W *	SCD 7
40	DM040CC	NH6	23.90	25.00	28.75	350	F or W *	SCD 7
51	DM051CC	NH6	23.90	25.00	28.75	430	F or W *	SCD 7
63	DM063CC	NH3	26.00	25.00	38.00	530	F or W *	SCD 7
75	DM075CC	NH3	26.00	25.00	38.00	580	F or W *	SCD 7
93	DM093CC	NH3	26.00	25.00	38.00	630	F or W *	SCD 7
118	DM118CC	NH3	26.00	25.00	38.00	730	F or W *	SCD 7
145	DM145CC	NH4	32.00	29.50	41.00	830	F	SCD 7
175	DM175CC	NH4	32.00	29.50	41.00	930	F	SCD 7
220	DM220CC	NH4	32.00	29.50	41.00	1350	F	SCD 9
275	DM275CC	NJ1	39.50	34.00	51.50	1500	F	SCD 9
330	DM330CC	NJ1	39.50	34.00	51.50	1700	F	SCD 9
440	DM440CC	NJ2	48.50	38.40	59.00	2100	F	SCD 10
550	DM550CC	NJ2	48.50	38.40	59.00	2350	F	SCD 10
660	DM660CC	NJ3	51.50	43.40	66.00	2900	F	SCD 10

For shielded units, please add the suffix "S" to the above part numbers. (i.e. DM075CCS)

*WALL MOUNTING KIT AND/OR DRIP PLATE KIT REQUIRED. REFER TO PAGES 238 TO 239 FOR DETAILS.

Products listed on this page are available as 'CE Mark' products. Please consult our sales office.

FOR TERMINATION DETAILS SEE PAGE 135

FOR ACCESSORIES SEE PAGES 238 TO 241

Data subject to change without notice.



Selection Tables

Listed below are our standard voltages. Other primary and secondary voltages available are 240, 380 and 600.



ALUMINUM WOUND, THREE PHASE

460 Delta Primary Volts

230Y Secondary Volts

60 Hz

kVA	Catalog Number	Case Style (Pages 226 - 234)	Dimensions			Approx. Weight (Lbs.)	Mtg Type W - Wall F - Floor	Wiring Diagram (Pages 243 - 258)
			Width	Depth	Height			
7.5	DM007JC	NH5	19.40	20.20	21.50	150	F or W *	SCD 8
11	DM011JC	NH5	19.40	20.20	21.50	160	F or W *	SCD 8
14	DM014JC	NH5	19.40	20.20	21.50	170	F or W *	SCD 8
20	DM020JC	NH6	23.90	25.00	28.75	240	F or W *	SCD 7
27	DM027JC	NH6	23.90	25.00	28.75	300	F or W *	SCD 7
34	DM034JC	NH6	23.90	25.00	28.75	330	F or W *	SCD 7
40	DM040JC	NH6	23.90	25.00	28.75	350	F or W *	SCD 7
51	DM051JC	NH6	23.90	25.00	28.75	430	F or W *	SCD 7
63	DM063JC	NH3	26.00	25.00	38.00	530	F or W *	SCD 7
75	DM075JC	NH3	26.00	25.00	38.00	580	F or W *	SCD 7
93	DM093JC	NH3	26.00	25.00	38.00	630	F or W *	SCD 7
118	DM118JC	NH3	26.00	25.00	38.00	730	F or W *	SCD 7
145	DM145JC	NH4	32.00	29.50	41.00	830	F	SCD 7
175	DM175JC	NH4	32.00	29.50	41.00	930	F	SCD 7
220	DM220JC	NH4	32.00	29.50	41.00	1350	F	SCD 9
275	DM275JC	NJ1	39.50	34.00	51.50	1500	F	SCD 9
330	DM330JC	NJ1	39.50	34.00	51.50	1700	F	SCD 9
440	DM440JC	NJ2	48.50	38.40	59.00	2100	F	SCD 10
550	DM550JC	NJ2	48.50	38.40	59.00	2350	F	SCD 10
660	DM660JC	NJ3	51.50	43.40	66.00	2900	F	SCD 10

For shielded units, please add the suffix "S" to the above part numbers. (i.e. DM075JCS)

*WALL MOUNTING KIT AND/OR DRIP PLATE KIT REQUIRED. REFER TO PAGES 238 TO 239 FOR DETAILS.

460 Delta Primary Volts

400Y Secondary Volts

60 Hz

kVA	Catalog Number	Case Style (Pages 226 - 234)	Dimensions			Approx. Weight (Lbs.)	Mtg Type W - Wall F - Floor	Wiring Diagram (Pages 243 - 258)
			Width	Depth	Height			
7.5	DM007JH	NH5	19.40	20.20	21.50	150	F or W *	SCD 8
11	DM011JH	NH5	19.40	20.20	21.50	160	F or W *	SCD 8
14	DM014JH	NH5	19.40	20.20	21.50	170	F or W *	SCD 8
20	DM020JH	NH6	23.90	25.00	28.75	240	F or W *	SCD 7
27	DM027JH	NH6	23.90	25.00	28.75	300	F or W *	SCD 7
34	DM034JH	NH6	23.90	25.00	28.75	330	F or W *	SCD 7
40	DM040JH	NH6	23.90	25.00	28.75	350	F or W *	SCD 7
51	DM051JH	NH6	23.90	25.00	28.75	430	F or W *	SCD 7
63	DM063JH	NH3	26.00	25.00	38.00	530	F or W *	SCD 7
75	DM075JH	NH3	26.00	25.00	38.00	580	F or W *	SCD 7
93	DM093JH	NH3	26.00	25.00	38.00	630	F or W *	SCD 7
118	DM118JH	NH3	26.00	25.00	38.00	730	F or W *	SCD 7
145	DM145JH	NH4	32.00	29.50	41.00	830	F	SCD 7
175	DM175JH	NH4	32.00	29.50	41.00	930	F	SCD 7
220	DM220JH	NH4	32.00	29.50	41.00	1350	F	SCD 9
275	DM275JH	NJ1	39.50	34.00	51.50	1500	F	SCD 9
330	DM330JH	NJ1	39.50	34.00	51.50	1700	F	SCD 9
440	DM440JH	NJ2	48.50	38.40	59.00	2100	F	SCD 10
550	DM550JH	NJ2	48.50	38.40	59.00	2350	F	SCD 10
660	DM660JH	NJ3	51.50	43.40	66.00	2900	F	SCD 10

For shielded units, please add the suffix "S" to the above part numbers. (i.e. DM075JHS)

*WALL MOUNTING KIT AND/OR DRIP PLATE KIT REQUIRED. REFER TO PAGES 238 TO 239 FOR DETAILS.

Products listed on this page are available as 'CE Mark' products. Please consult our sales office.

FOR TERMINATION DETAILS SEE PAGE 135

FOR ACCESSORIES SEE PAGES 238 TO 241



Selection Tables

Listed below are our standard voltages. Other primary and secondary voltages available are 240, 380 and 600.



ALUMINUM WOUND, THREE PHASE

460 Delta Primary Volts

460Y Secondary Volts

60 Hz

kVA	Catalog Number	Case Style (Pages 226 - 234)	Dimensions			Approx. Weight (Lbs.)	Mtg Type W - Wall F - Floor	Wiring Diagram (Pages 243 - 258)
			Width	Depth	Height			
7.5	DM007JJ	NH5	19.40	20.20	21.50	150	F or W *	SCD 8
11	DM011JJ	NH5	19.40	20.20	21.50	160	F or W *	SCD 8
14	DM014JJ	NH5	19.40	20.20	21.50	170	F or W *	SCD 8
20	DM020JJ	NH6	23.90	25.00	28.75	240	F or W *	SCD 7
27	DM027JJ	NH6	23.90	25.00	28.75	300	F or W *	SCD 7
34	DM034JJ	NH6	23.90	25.00	28.75	330	F or W *	SCD 7
40	DM040JJ	NH6	23.90	25.00	28.75	350	F or W *	SCD 7
51	DM051JJ	NH6	23.90	25.00	28.75	430	F or W *	SCD 7
63	DM063JJ	NH3	26.00	25.00	38.00	530	F or W *	SCD 7
75	DM075JJ	NH3	26.00	25.00	38.00	580	F or W *	SCD 7
93	DM093JJ	NH3	26.00	25.00	38.00	630	F or W *	SCD 7
118	DM118JJ	NH3	26.00	25.00	38.00	730	F or W *	SCD 7
145	DM145JJ	NH4	32.00	29.50	41.00	830	F	SCD 7
175	DM175JJ	NH4	32.00	29.50	41.00	930	F	SCD 7
220	DM220JJ	NH4	32.00	29.50	41.00	1350	F	SCD 9
275	DM275JJ	NJ1	39.50	34.00	51.50	1500	F	SCD 9
330	DM330JJ	NJ1	39.50	34.00	51.50	1700	F	SCD 9
440	DM440JJ	NJ2	48.50	38.40	59.00	2100	F	SCD 10
550	DM550JJ	NJ2	48.50	38.40	59.00	2350	F	SCD 10
660	DM660JJ	NJ3	51.50	43.40	66.00	2900	F	SCD 10

For shielded units, please add the suffix "S" to the above part numbers. (i.e. DM075JJS)

*WALL MOUNTING KIT AND/OR DRIP PLATE KIT REQUIRED. REFER TO PAGES 238 TO 239 FOR DETAILS.

480 Delta Primary Volts

240Y Secondary Volts

60 Hz

kVA	Catalog Number	Case Style (Pages 226 - 234)	Dimensions			Approx. Weight (Lbs.)	Mtg Type W - Wall F - Floor	Wiring Diagram (Pages 243 - 258)
			Width	Depth	Height			
7.5	DM007KD	NH5	19.40	20.20	21.50	150	F or W *	SCD 8
11	DM011KD	NH5	19.40	20.20	21.50	160	F or W *	SCD 8
14	DM014KD	NH5	19.40	20.20	21.50	170	F or W *	SCD 8
20	DM020KD	NH6	23.90	25.00	28.75	240	F or W *	SCD 7
27	DM027KD	NH6	23.90	25.00	28.75	300	F or W *	SCD 7
34	DM034KD	NH6	23.90	25.00	28.75	330	F or W *	SCD 7
40	DM040KD	NH6	23.90	25.00	28.75	350	F or W *	SCD 7
51	DM051KD	NH6	23.90	25.00	28.75	430	F or W *	SCD 7
63	DM063KD	NH3	26.00	25.00	38.00	530	F or W *	SCD 7
75	DM075KD	NH3	26.00	25.00	38.00	580	F or W *	SCD 7
93	DM093KD	NH3	26.00	25.00	38.00	630	F or W *	SCD 7
118	DM118KD	NH3	26.00	25.00	38.00	730	F or W *	SCD 7
145	DM145KD	NH4	32.00	29.50	41.00	830	F	SCD 7
175	DM175KD	NH4	32.00	29.50	41.00	930	F	SCD 7
220	DM220KD	NH4	32.00	29.50	41.00	1350	F	SCD 9
275	DM275KD	NJ1	39.50	34.00	51.50	1500	F	SCD 9
330	DM330KD	NJ1	39.50	34.00	51.50	1700	F	SCD 9
440	DM440KD	NJ2	48.50	38.40	59.00	2100	F	SCD 10
550	DM550KD	NJ2	48.50	38.40	59.00	2350	F	SCD 10
660	DM660KD	NJ3	51.50	43.40	66.00	2900	F	SCD 10

For shielded units, please add the suffix "S" to the above part numbers. (i.e. DM075KDS)

*WALL MOUNTING KIT AND/OR DRIP PLATE KIT REQUIRED. REFER TO PAGES 238 TO 239 FOR DETAILS.

Products listed on this page are available as 'CE Mark' products. Please consult our sales office.

FOR TERMINATION DETAILS SEE PAGE 135

FOR ACCESSORIES SEE PAGES 238 TO 241

Data subject to change without notice.



Selection Tables

Listed below are our standard voltages. Other primary and secondary voltages available are 240, 380 and 600.



ALUMINUM WOUND, THREE PHASE

480 Delta Primary Volts

480Y Secondary Volts

60 Hz

kVA	Catalog Number	Case Style (Pages 226 - 234)	Dimensions			Approx. Weight (Lbs.)	Mtg Type W - Wall F - Floor	Wiring Diagram (Pages 243 - 258)
			Width	Depth	Height			
7.5	DM007KK	NH5	19.40	20.20	21.50	150	F or W *	SCD 8
11	DM011KK	NH5	19.40	20.20	21.50	160	F or W *	SCD 8
14	DM014KK	NH5	19.40	20.20	21.50	170	F or W *	SCD 8
20	DM020KK	NH6	23.90	25.00	28.75	240	F or W *	SCD 7
27	DM027KK	NH6	23.90	25.00	28.75	300	F or W *	SCD 7
34	DM034KK	NH6	23.90	25.00	28.75	330	F or W *	SCD 7
40	DM040KK	NH6	23.90	25.00	28.75	350	F or W *	SCD 7
51	DM051KK	NH6	23.90	25.00	28.75	430	F or W *	SCD 7
63	DM063KK	NH3	26.00	25.00	38.00	530	F or W *	SCD 7
75	DM075KK	NH3	26.00	25.00	38.00	580	F or W *	SCD 7
93	DM093KK	NH3	26.00	25.00	38.00	630	F or W *	SCD 7
118	DM118KK	NH3	26.00	25.00	38.00	730	F or W *	SCD 7
145	DM145KK	NH4	32.00	29.50	41.00	830	F	SCD 7
175	DM175KK	NH4	32.00	29.50	41.00	930	F	SCD 7
220	DM220KK	NH4	32.00	29.50	41.00	1350	F	SCD 9
275	DM275KK	NJ1	39.50	34.00	51.50	1500	F	SCD 9
330	DM330KK	NJ1	39.50	34.00	51.50	1700	F	SCD 9
440	DM440KK	NJ2	48.50	38.40	59.00	2100	F	SCD 10
550	DM550KK	NJ2	48.50	38.40	59.00	2350	F	SCD 10
660	DM660KK	NJ3	51.50	43.40	66.00	2900	F	SCD 10

For shielded units, please add the suffix "S" to the above part numbers. (i.e. DM075KKS)

*WALL MOUNTING KIT AND/OR DRIP PLATE KIT REQUIRED. REFER TO PAGES 234 TO 235 FOR DETAILS.

575 Delta Primary Volts

460Y Secondary Volts

60 Hz

kVA	Catalog Number	Case Style (Pages 226 - 234)	Dimensions			Approx. Weight (Lbs.)	Mtg Type W - Wall F - Floor	Wiring Diagram (Pages 243 - 258)
			Width	Depth	Height			
7.5	DM007NJ	NH5	19.40	20.20	21.50	150	F or W *	SCD 8
11	DM011NJ	NH5	19.40	20.20	21.50	160	F or W *	SCD 8
14	DM014NJ	NH5	19.40	20.20	21.50	170	F or W *	SCD 8
20	DM020NJ	NH6	23.90	25.00	28.75	240	F or W *	SCD 7
27	DM027NJ	NH6	23.90	25.00	28.75	300	F or W *	SCD 7
34	DM034NJ	NH6	23.90	25.00	28.75	330	F or W *	SCD 7
40	DM040NJ	NH6	23.90	25.00	28.75	350	F or W *	SCD 7
51	DM051NJ	NH6	23.90	25.00	28.75	430	F or W *	SCD 7
63	DM063NJ	NH3	26.00	25.00	38.00	530	F or W *	SCD 7
75	DM075NJ	NH3	26.00	25.00	38.00	580	F or W *	SCD 7
93	DM093NJ	NH3	26.00	25.00	38.00	630	F or W *	SCD 7
118	DM118NJ	NH3	26.00	25.00	38.00	730	F or W *	SCD 7
145	DM145NJ	NH4	32.00	29.50	41.00	830	F	SCD 7
175	DM175NJ	NH4	32.00	29.50	41.00	930	F	SCD 7
220	DM220NJ	NH4	32.00	29.50	41.00	1350	F	SCD 9
275	DM275NJ	NJ1	39.50	34.00	51.50	1500	F	SCD 9
330	DM330NJ	NJ1	39.50	34.00	51.50	1700	F	SCD 9
440	DM440NJ	NJ2	48.50	38.40	59.00	2100	F	SCD 10
550	DM550NJ	NJ2	48.50	38.40	59.00	2350	F	SCD 10
660	DM660NJ	NJ3	51.50	43.40	66.00	2900	F	SCD 10

For shielded units, please add the suffix "S" to the above part numbers. (i.e. DM075NJS)

*WALL MOUNTING KIT AND/OR DRIP PLATE KIT REQUIRED. REFER TO PAGES 238 TO 239 FOR DETAILS.

Products listed on this page are available as 'CE Mark' products. Please consult our sales office.

FOR TERMINATION DETAILS SEE PAGE 135

FOR ACCESSORIES SEE PAGES 238 TO 241

Data subject to change without notice.



Selection Tables

Listed below are our standard voltages. Other primary and secondary voltages available are 240, 380 and 600.



ALUMINUM WOUND, THREE PHASE

575 Delta Primary Volts

575Y Secondary Volts

60 Hz

kVA	Catalog Number	Case Style (Pages 226 - 234)	Dimensions			Approx. Weight (Lbs.)	Mtg Type W - Wall F - Floor	Wiring Diagram (Pages 243 - 258)
			Width	Depth	Height			
7.5	DM007NN	NH5	19.40	20.20	21.50	150	F or W *	SCD 8
11	DM011NN	NH5	19.40	20.20	21.50	160	F or W *	SCD 8
14	DM014NN	NH5	19.40	20.20	21.50	170	F or W *	SCD 8
20	DM020NN	NH6	23.90	25.00	28.75	240	F or W *	SCD 7
27	DM027NN	NH6	23.90	25.00	28.75	300	F or W *	SCD 7
34	DM034NN	NH6	23.90	25.00	28.75	330	F or W *	SCD 7
40	DM040NN	NH6	23.90	25.00	28.75	350	F or W *	SCD 7
51	DM051NN	NH6	23.90	25.00	28.75	430	F or W *	SCD 7
63	DM063NN	NH3	26.00	25.00	38.00	530	F or W *	SCD 7
75	DM075NN	NH3	26.00	25.00	38.00	580	F or W *	SCD 7
93	DM093NN	NH3	26.00	25.00	38.00	630	F or W *	SCD 7
118	DM118NN	NH3	26.00	25.00	38.00	730	F or W *	SCD 7
145	DM145NN	NH4	32.00	29.50	41.00	830	F	SCD 7
175	DM175NN	NH4	32.00	29.50	41.00	930	F	SCD 7
220	DM220NN	NH4	32.00	29.50	41.00	1350	F	SCD 9
275	DM275NN	NJ1	39.50	34.00	51.50	1500	F	SCD 9
330	DM330NN	NJ1	39.50	34.00	51.50	1700	F	SCD 9
440	DM440NN	NJ2	48.50	38.40	59.00	2100	F	SCD 10
550	DM550NN	NJ2	48.50	38.40	59.00	2350	F	SCD 10
660	DM660NN	NJ3	51.50	43.40	66.00	2900	F	SCD 10

For shielded units, please add the suffix "S" to the above part numbers. (i.e. DM075NNS)

*WALL MOUNTING KIT AND/OR DRIP PLATE KIT REQUIRED. REFER TO PAGES 238 TO 239 FOR DETAILS.

COPPER WOUND, THREE PHASE

208 Delta Primary Volts

480Y Secondary Volts

60 Hz

kVA	Catalog Number	Case Style (Pages 226 - 234)	Dimensions			Approx. Weight (Lbs.)	Mtg Type W - Wall F - Floor	Wiring Diagram (Pages 243 - 258)
			Width	Depth	Height			
7.5	DM007BKC	NH5	19.40	20.20	21.50	150	F or W *	SCD 8
11	DM011BKC	NH5	19.40	20.20	21.50	170	F or W *	SCD 8
14	DM014BKC	NH5	19.40	20.20	21.50	210	F or W *	SCD 8
20	DM020BKC	NH6	23.90	25.00	28.75	270	F or W *	SCD 7
27	DM027BKC	NH6	23.90	25.00	28.75	330	F or W *	SCD 7
34	DM034BKC	NH6	23.90	25.00	28.75	350	F or W *	SCD 7
40	DM040BKC	NH6	23.90	25.00	28.75	380	F or W *	SCD 7
51	DM051BKC	NH6	23.90	25.00	28.75	450	F or W *	SCD 7
63	DM063BKC	NH3	26.00	25.00	38.00	550	F or W *	SCD 7
75	DM075BKC	NH3	26.00	25.00	38.00	600	F or W *	SCD 7
93	DM093BKC	NH3	26.00	25.00	38.00	630	F or W *	SCD 7
118	DM118BKC	NH3	26.00	25.00	38.00	880	F	SCD 7
145	DM145BKC	NH4	32.00	29.50	41.00	930	F	SCD 7
175	DM175BKC	NH4	32.00	29.50	41.00	1100	F	SCD 7
220	DM220BKC	NH4	32.00	29.50	41.00	1450	F	SCD 9
275	DM275BKC	NJ1	39.50	34.00	51.50	1680	F	SCD 9
330	DM330BKC	NJ1	39.50	34.00	51.50	1850	F	SCD 9
440	DM440BKC	NJ2	48.50	38.40	59.00	2350	F	SCD 10
550	DM550BKC	NJ2	48.50	38.40	59.00	2800	F	SCD 10
660	DM660BKC	NJ3	51.50	43.40	66.00	3250	F	SCD 10

For shielded units, please replace the suffix "C" with a 'K' on the above part numbers. (i.e. DM075BKK)

*WALL MOUNTING KIT AND/OR DRIP PLATE KIT REQUIRED. REFER TO PAGES 238 TO 239 FOR DETAILS.

Products listed on this page are available as 'CE Mark' products. Please consult our sales office.

FOR TERMINATION DETAILS SEE PAGE 135

FOR ACCESSORIES SEE PAGES 238 TO 241

Data subject to change without notice.



Selection Tables

Listed below are our standard voltages. Other primary and secondary voltages available are 240, 380 and 600.



COPPER WOUND, THREE PHASE

230 Delta Primary Volts

230Y Secondary Volts

60 Hz

kVA	Catalog Number	Case Style (Pages 226 - 234)	Dimensions			Approx. Weight (Lbs.)	Mtg Type W - Wall F - Floor	Wiring Diagram (Pages 243 - 258)
			Width	Depth	Height			
7.5	DM007CCC	NH5	19.40	20.20	21.50	150	F or W *	SCD 8
11	DM011CCC	NH5	19.40	20.20	21.50	170	F or W *	SCD 8
14	DM014CCC	NH5	19.40	20.20	21.50	210	F or W *	SCD 8
20	DM020CCC	NH6	23.90	25.00	28.75	270	F or W *	SCD 7
27	DM027CCC	NH6	23.90	25.00	28.75	330	F or W *	SCD 7
34	DM034CCC	NH6	23.90	25.00	28.75	350	F or W *	SCD 7
40	DM040CCC	NH6	23.90	25.00	28.75	380	F or W *	SCD 7
51	DM051CCC	NH6	23.90	25.00	28.75	450	F or W *	SCD 7
63	DM063CCC	NH3	26.00	25.00	38.00	550	F or W *	SCD 7
75	DM075CCC	NH3	26.00	25.00	38.00	600	F or W *	SCD 7
93	DM093CCC	NH3	26.00	25.00	38.00	630	F or W *	SCD 7
118	DM118CCC	NH3	26.00	25.00	38.00	880	F	SCD 7
145	DM145CCC	NH4	32.00	29.50	41.00	930	F	SCD 7
175	DM175CCC	NH4	32.00	29.50	41.00	1100	F	SCD 7
220	DM220CCC	NH4	32.00	29.50	41.00	1450	F	SCD 9
275	DM275CCC	NJ1	39.50	34.00	51.50	1680	F	SCD 9
330	DM330CCC	NJ1	39.50	34.00	51.50	1850	F	SCD 9
440	DM440CCC	NJ2	48.50	38.40	59.00	2350	F	SCD 10
550	DM550CCC	NJ2	48.50	38.40	59.00	2800	F	SCD 10
660	DM660CCC	NJ3	51.50	43.40	66.00	3250	F	SCD 10

For shielded units, please replace the suffix "C" with a 'K' on the above part numbers. (i.e. DM075CCK)

*WALL MOUNTING KIT AND/OR DRIP PLATE KIT REQUIRED. REFER TO PAGES 238 TO 239 FOR DETAILS.

460 Delta Primary Volts

230Y Secondary Volts

60 Hz

kVA	Catalog Number	Case Style (Pages 226 - 234)	Dimensions			Approx. Weight (Lbs.)	Mtg Type W - Wall F - Floor	Wiring Diagram (Pages 243 - 258)
			Width	Depth	Height			
7.5	DM007JCCN	NH5	19.40	20.20	21.50	150	F or W *	SCD 8
11	DM011JCCN	NH5	19.40	20.20	21.50	170	F or W *	SCD 8
14	DM014JCCN	NH5	19.40	20.20	21.50	210	F or W *	SCD 8
20	DM020JCCN	NH6	23.90	25.00	28.75	270	F or W *	SCD 7
27	DM027JCCN	NH6	23.90	25.00	28.75	330	F or W *	SCD 7
34	DM034JCC	NH6	23.90	25.00	28.75	350	F or W *	SCD 7
40	DM040JCC	NH6	23.90	25.00	28.75	380	F or W *	SCD 7
51	DM051JCC	NH6	23.90	25.00	28.75	450	F or W *	SCD 7
63	DM063JCC	NH3	26.00	25.00	38.00	550	F or W *	SCD 7
75	DM075JCC	NH3	26.00	25.00	38.00	600	F or W *	SCD 7
93	DM093JCC	NH3	26.00	25.00	38.00	630	F or W *	SCD 7
118	DM118JCC	NH3	26.00	25.00	38.00	880	F	SCD 7
145	DM145JCC	NH4	32.00	29.50	41.00	930	F	SCD 7
175	DM175JCC	NH4	32.00	29.50	41.00	1100	F	SCD 7
220	DM220JCC	NH4	32.00	29.50	41.00	1450	F	SCD 9
275	DM275JCC	NJ1	39.50	34.00	51.50	1680	F	SCD 9
330	DM330JCC	NJ1	39.50	34.00	51.50	1850	F	SCD 9
440	DM440JCC	NJ2	48.50	38.40	59.00	2350	F	SCD 10
550	DM550JCC	NJ2	48.50	38.40	59.00	2800	F	SCD 10
660	DM660JCC	NJ3	51.50	43.40	66.00	3250	F	SCD 10

For shielded units, please replace the suffix "C" with a 'K' on the above part numbers. (i.e. DM075JCK)

*WALL MOUNTING KIT AND/OR DRIP PLATE KIT REQUIRED. REFER TO PAGES 238 TO 239 FOR DETAILS.

Products listed on this page are available as 'CE Mark' products. Please consult our sales office.

FOR TERMINATION DETAILS SEE PAGE 135

FOR ACCESSORIES SEE PAGES 238 TO 241



Selection Tables

Listed below are our standard voltages. Other primary and secondary voltages available are 240, 380 and 600.



COPPER WOUND, THREE PHASE

460 Delta Primary Volts

400Y Secondary Volts

60 Hz

kVA	Catalog Number	Case Style (Pages 226 - 234)	Dimensions			Approx. Weight (Lbs.)	Mtg Type W - Wall F - Floor	Wiring Diagram (Pages 243 - 258)
			Width	Depth	Height			
7.5	DM007JHCN	NH5	19.40	20.20	21.50	150	F or W *	SCD 8
11	DM011JHCN	NH5	19.40	20.20	21.50	170	F or W *	SCD 8
14	DM014JHCN	NH5	19.40	20.20	21.50	210	F or W *	SCD 8
20	DM020JHCN	NH6	23.90	25.00	28.75	270	F or W *	SCD 7
27	DM027JHCN	NH6	23.90	25.00	28.75	330	F or W *	SCD 7
34	DM034JHC	NH6	23.90	25.00	28.75	350	F or W *	SCD 7
40	DM040JHC	NH6	23.90	25.00	28.75	380	F or W *	SCD 7
51	DM051JHC	NH6	23.90	25.00	28.75	450	F or W *	SCD 7
63	DM063JHC	NH3	26.00	25.00	38.00	550	F or W *	SCD 7
75	DM075JHC	NH3	26.00	25.00	38.00	600	F or W *	SCD 7
93	DM093JHC	NH3	26.00	25.00	38.00	630	F or W *	SCD 7
118	DM118JHC	NH3	26.00	25.00	38.00	880	F	SCD 7
145	DM145JHC	NH4	32.00	29.50	41.00	930	F	SCD 7
175	DM175JHC	NH4	32.00	29.50	41.00	1100	F	SCD 7
220	DM220JHC	NH4	32.00	29.50	41.00	1450	F	SCD 9
275	DM275JHC	NJ1	39.50	34.00	51.50	1680	F	SCD 9
330	DM330JHC	NJ1	39.50	34.00	51.50	1850	F	SCD 9
440	DM440JHC	NJ2	48.50	38.40	59.00	2350	F	SCD 10
550	DM550JHC	NJ2	48.50	38.40	59.00	2800	F	SCD 10
660	DM660JHC	NJ3	51.50	43.40	66.00	3250	F	SCD 10

For shielded units, please replace the suffix "C" with a 'K' on the above part numbers. (i.e. DM075JHK)

*WALL MOUNTING KIT AND/OR DRIP PLATE KIT REQUIRED. REFER TO PAGES 238 TO 239 FOR DETAILS.

460 Delta Primary Volts

460Y Secondary Volts

60 Hz

kVA	Catalog Number	Case Style (Pages 226 - 234)	Dimensions			Approx. Weight (Lbs.)	Mtg Type W - Wall F - Floor	Wiring Diagram (Pages 243 - 258)
			Width	Depth	Height			
7.5	DM007JJCN	NH5	19.40	20.20	21.50	150	F or W *	SCD 8
11	DM011JJCN	NH5	19.40	20.20	21.50	170	F or W *	SCD 8
14	DM014JJCN	NH5	19.40	20.20	21.50	210	F or W *	SCD 8
20	DM020JJCN	NH6	23.90	25.00	28.75	270	F or W *	SCD 7
27	DM027JJCN	NH6	23.90	25.00	28.75	330	F or W *	SCD 7
34	DM034JJC	NH6	23.90	25.00	28.75	350	F or W *	SCD 7
40	DM040JJC	NH6	23.90	25.00	28.75	380	F or W *	SCD 7
51	DM051JJC	NH6	23.90	25.00	28.75	450	F or W *	SCD 7
63	DM063JJC	NH3	26.00	25.00	38.00	550	F or W *	SCD 7
75	DM075JJC	NH3	26.00	25.00	38.00	600	F or W *	SCD 7
93	DM093JJC	NH3	26.00	25.00	38.00	630	F or W *	SCD 7
118	DM118JJC	NH3	26.00	25.00	38.00	880	F	SCD 7
145	DM145JJC	NH4	32.00	29.50	41.00	930	F	SCD 7
175	DM175JJC	NH4	32.00	29.50	41.00	1100	F	SCD 7
220	DM220JJC	NH4	32.00	29.50	41.00	1450	F	SCD 9
275	DM275JJC	NJ1	39.50	34.00	51.50	1680	F	SCD 9
330	DM330JJC	NJ1	39.50	34.00	51.50	1850	F	SCD 9
440	DM440JJC	NJ2	48.50	38.40	59.00	2350	F	SCD 10
550	DM550JJC	NJ2	48.50	38.40	59.00	2800	F	SCD 10
660	DM660JJC	NJ3	51.50	43.40	66.00	3250	F	SCD 10

For shielded units, please replace the suffix "C" with a 'K' on the above part numbers. (i.e. DM075JJK)

*WALL MOUNTING KIT AND/OR DRIP PLATE KIT REQUIRED. REFER TO PAGES 238 TO 239 FOR DETAILS.

Products listed on this page are available as 'CE Mark' products. Please consult our sales office.

FOR TERMINATION DETAILS SEE PAGE 135

FOR ACCESSORIES SEE PAGES 238 TO 241



Selection Tables

Listed below are our standard voltages. Other primary and secondary voltages available are 240, 380 and 600.



COPPER WOUND, THREE PHASE

480 Delta Primary Volts

240Y Secondary Volts

60 Hz

kVA	Catalog Number	Case Style (Pages 226 - 234)	Dimensions			Approx. Weight (Lbs.)	Mtg Type W - Wall F - Floor	Wiring Diagram (Pages 243 - 258)
			Width	Depth	Height			
7.5	DM007KDCN	NH5	19.40	20.20	21.50	150	F or W *	SCD 8
11	DM011KDCN	NH5	19.40	20.20	21.50	170	F or W *	SCD 8
14	DM014KDCN	NH5	19.40	20.20	21.50	210	F or W *	SCD 8
20	DM020KDCN	NH6	23.90	25.00	28.75	270	F or W *	SCD 7
27	DM027KDCN	NH6	23.90	25.00	28.75	330	F or W *	SCD 7
34	DM034KDCN	NH6	23.90	25.00	28.75	350	F or W *	SCD 7
40	DM040KDC	NH6	23.90	25.00	28.75	380	F or W *	SCD 7
51	DM051KDC	NH6	23.90	25.00	28.75	450	F or W *	SCD 7
63	DM063KDC	NH3	26.00	25.00	38.00	550	F or W *	SCD 7
75	DM075KDC	NH3	26.00	25.00	38.00	600	F or W *	SCD 7
93	DM093KDC	NH3	26.00	25.00	38.00	630	F or W *	SCD 7
118	DM118KDC	NH3	26.00	25.00	38.00	880	F	SCD 7
145	DM145KDC	NH4	32.00	29.50	41.00	930	F	SCD 7
175	DM175KDC	NH4	32.00	29.50	41.00	1100	F	SCD 7
220	DM220KDC	NH4	32.00	29.50	41.00	1450	F	SCD 9
275	DM275KDC	NJ1	39.50	34.00	51.50	1680	F	SCD 9
330	DM330KDC	NJ1	39.50	34.00	51.50	1850	F	SCD 9
440	DM440KDC	NJ2	48.50	38.40	59.00	2350	F	SCD 10
550	DM550KDC	NJ2	48.50	38.40	59.00	2800	F	SCD 10
660	DM660KDC	NJ3	51.50	43.40	66.00	3250	F	SCD 10

For shielded units, please replace the suffix "C" with a 'K' on the above part numbers. (i.e. DM075KDK)

*WALL MOUNTING KIT AND/OR DRIP PLATE KIT REQUIRED. REFER TO PAGES 238 TO 239 FOR DETAILS.

480 Delta Primary Volts

480Y Secondary Volts

60 Hz

kVA	Catalog Number	Case Style (Pages 226 - 234)	Dimensions			Approx. Weight (Lbs.)	Mtg Type W - Wall F - Floor	Wiring Diagram (Pages 243 - 258)
			Width	Depth	Height			
7.5	DM007KCCN	NH5	19.40	20.20	21.50	150	F or W *	SCD 8
11	DM011KCCN	NH5	19.40	20.20	21.50	170	F or W *	SCD 8
14	DM014KCCN	NH5	19.40	20.20	21.50	210	F or W *	SCD 8
20	DM020KCCN	NH6	23.90	25.00	28.75	270	F or W *	SCD 7
27	DM027KCCN	NH6	23.90	25.00	28.75	330	F or W *	SCD 7
34	DM034KCCN	NH6	23.90	25.00	28.75	350	F or W *	SCD 7
40	DM040KCC	NH6	23.90	25.00	28.75	380	F or W *	SCD 7
51	DM051KCC	NH6	23.90	25.00	28.75	450	F or W *	SCD 7
63	DM063KCC	NH3	26.00	25.00	38.00	550	F or W *	SCD 7
75	DM075KCC	NH3	26.00	25.00	38.00	600	F or W *	SCD 7
93	DM093KCC	NH3	26.00	25.00	38.00	630	F or W *	SCD 7
118	DM118KCC	NH3	26.00	25.00	38.00	880	F	SCD 7
145	DM145KCC	NH4	32.00	29.50	41.00	930	F	SCD 7
175	DM175KCC	NH4	32.00	29.50	41.00	1100	F	SCD 7
220	DM220KCC	NH4	32.00	29.50	41.00	1450	F	SCD 9
275	DM275KCC	NJ1	39.50	34.00	51.50	1680	F	SCD 9
330	DM330KCC	NJ1	39.50	34.00	51.50	1850	F	SCD 9
440	DM440KCC	NJ2	48.50	38.40	59.00	2350	F	SCD 10
550	DM550KCC	NJ2	48.50	38.40	59.00	2800	F	SCD 10
660	DM660KCC	NJ3	51.50	43.40	66.00	3250	F	SCD 10

For shielded units, please replace the suffix "C" with a 'K' on the above part numbers. (i.e. DM075KCC)

*WALL MOUNTING KIT AND/OR DRIP PLATE KIT REQUIRED. REFER TO PAGES 238 TO 239 FOR DETAILS.



Selection Tables

Listed below are our standard voltages. Other primary and secondary voltages available are 240, 380 and 600.



COPPER WOUND, THREE PHASE

575 Delta Primary Volts

460Y Secondary Volts

60 Hz

kVA	Catalog Number	Case Style (Pages 226 - 234)	Dimensions			Approx. Weight (Lbs.)	Mtg Type W - Wall F - Floor	Wiring Diagram (Pages 243 - 258)
			Width	Depth	Height			
7.5	DM007NJC	NH5	19.40	20.20	21.50	150	F or W *	SCD 8
11	DM011NJC	NH5	19.40	20.20	21.50	170	F or W *	SCD 8
14	DM014NJC	NH5	19.40	20.20	21.50	210	F or W *	SCD 8
20	DM020NJC	NH6	23.90	25.00	28.75	270	F or W *	SCD 7
27	DM027NJC	NH6	23.90	25.00	28.75	330	F or W *	SCD 7
34	DM034NJC	NH6	23.90	25.00	28.75	350	F or W *	SCD 7
40	DM040NJC	NH6	23.90	25.00	28.75	380	F or W *	SCD 7
51	DM051NJC	NH6	23.90	25.00	28.75	450	F or W *	SCD 7
63	DM063NJC	NH3	26.00	25.00	38.00	550	F or W *	SCD 7
75	DM075NJC	NH3	26.00	25.00	38.00	600	F or W *	SCD 7
93	DM093NJC	NH3	26.00	25.00	38.00	630	F or W *	SCD 7
118	DM118NJC	NH3	26.00	25.00	38.00	880	F	SCD 7
145	DM145NJC	NH4	32.00	29.50	41.00	930	F	SCD 7
175	DM175NJC	NH4	32.00	29.50	41.00	1100	F	SCD 7
220	DM220NJC	NH4	32.00	29.50	41.00	1450	F	SCD 9
275	DM275NJC	NJ1	39.50	34.00	51.50	1680	F	SCD 9
330	DM330NJC	NJ1	39.50	34.00	51.50	1850	F	SCD 9
440	DM440NJC	NJ2	48.50	38.40	59.00	2350	F	SCD 10
550	DM550NJC	NJ2	48.50	38.40	59.00	2800	F	SCD 10
660	DM660NJC	NJ3	51.50	43.40	66.00	3250	F	SCD 10

For shielded units, please replace the suffix "C" with a 'K' on the above part numbers. (i.e. DM075NJK)

*WALL MOUNTING KIT AND/OR DRIP PLATE KIT REQUIRED. REFER TO PAGES 238 TO 239 FOR DETAILS.

575 Delta Primary Volts

575Y Secondary Volts

60 Hz

kVA	Catalog Number	Case Style (Pages 226 - 234)	Dimensions			Approx. Weight (Lbs.)	Mtg Type W - Wall F - Floor	Wiring Diagram (Pages 243 - 258)
			Width	Depth	Height			
7.5	DM007NNC	NH5	19.40	20.20	21.50	150	F or W *	SCD 8
11	DM011NNC	NH5	19.40	20.20	21.50	170	F or W *	SCD 8
14	DM014NNC	NH5	19.40	20.20	21.50	210	F or W *	SCD 8
20	DM020NNC	NH6	23.90	25.00	28.75	270	F or W *	SCD 7
27	DM027NNC	NH6	23.90	25.00	28.75	330	F or W *	SCD 7
34	DM034NNC	NH6	23.90	25.00	28.75	350	F or W *	SCD 7
40	DM040NNC	NH6	23.90	25.00	28.75	380	F or W *	SCD 7
51	DM051NNC	NH6	23.90	25.00	28.75	450	F or W *	SCD 7
63	DM063NNC	NH3	26.00	25.00	38.00	550	F or W *	SCD 7
75	DM075NNC	NH3	26.00	25.00	38.00	600	F or W *	SCD 7
93	DM093NNC	NH3	26.00	25.00	38.00	630	F or W *	SCD 7
118	DM118NNC	NH3	26.00	25.00	38.00	880	F	SCD 7
145	DM145NNC	NH4	32.00	29.50	41.00	930	F	SCD 7
175	DM175NNC	NH4	32.00	29.50	41.00	1100	F	SCD 7
220	DM220NNC	NH4	32.00	29.50	41.00	1450	F	SCD 9
275	DM275NNC	NJ1	39.50	34.00	51.50	1680	F	SCD 9
330	DM330NNC	NJ1	39.50	34.00	51.50	1850	F	SCD 9
440	DM440NNC	NJ2	48.50	38.40	59.00	2350	F	SCD 10
550	DM550NNC	NJ2	48.50	38.40	59.00	2800	F	SCD 10
660	DM660NNC	NJ3	51.50	43.40	66.00	3250	F	SCD 10

For shielded units, please replace the suffix "C" with a 'K' on the above part numbers. (i.e. DM075NNK)

*WALL MOUNTING KIT AND/OR DRIP PLATE KIT REQUIRED. REFER TO PAGES 238 TO 239 FOR DETAILS.

Products listed on this page are available as 'CE Mark' products. Please consult our sales office.

FOR TERMINATION DETAILS SEE PAGE 135

FOR ACCESSORIES SEE PAGES 238 TO 241

Data subject to change without notice.



TERMINATION DETAILS



THREE PHASE, ALUMINUM AND COPPER TERMINATION - LUGS OR PADS

kVA	VOLTAGE							
	208	230	240	380	460	480	575	600
7.5	Lugs	Lugs	Lugs	Lugs	Lugs	Lugs	Lugs	Lugs
11	Lugs	Lugs	Lugs	Lugs	Lugs	Lugs	Lugs	Lugs
14	Lugs	Lugs	Lugs	Lugs	Lugs	Lugs	Lugs	Lugs
20	Lugs	Lugs	Lugs	Lugs	Lugs	Lugs	Lugs	Lugs
27	Lugs	Lugs	Lugs	Lugs	Lugs	Lugs	Lugs	Lugs
34	Lugs	Lugs	Lugs	Lugs	Lugs	Lugs	Lugs	Lugs
40	Lugs	Lugs	Lugs	Lugs	Lugs	Lugs	Lugs	Lugs
51	Lugs	Lugs	Lugs	Lugs	Lugs	Lugs	Lugs	Lugs
63	Lugs	Lugs	Lugs	Lugs	Lugs	Lugs	Lugs	Lugs
75	Lugs	Lugs	Lugs	Lugs	Lugs	Lugs	Lugs	Lugs
93	Lugs	Lugs	Lugs	Lugs	Lugs	Lugs	Lugs	Lugs
118	Diagram 1A	Diagram 1A	Diagram 1A	Lugs	Lugs	Lugs	Lugs	Lugs
145	Diagram 1A	Diagram 1A	Diagram 1A	Lugs	Lugs	Lugs	Lugs	Lugs
175	Diagram 1A	Diagram 1A	Diagram 1A	Lugs	Lugs	Lugs	Lugs	Lugs
220	Diagram 2	Diagram 1A	Diagram 1A	Diagram 1A	Diagram 1A	Lugs	Lugs	Lugs
275	Diagram 2	Diagram 2	Diagram 2	Diagram 1A	Diagram 1A	Diagram 1A	Diagram 1A	Lugs
330	Diagram 2	Diagram 2	Diagram 2	Diagram 1A	Diagram 1A	Diagram 1A	Diagram 1A	Diagram 1A
440	Diagram 3	Diagram 3	Diagram 3	Diagram 2	Diagram 1A	Diagram 1A	Diagram 1A	Diagram 1A
550	Diagram 3	Diagram 3	Diagram 3	Diagram 2	Diagram 2	Diagram 2	Diagram 1A	Diagram 1A
660	Diagram 3	Diagram 3	Diagram 3	Diagram 3	Diagram 2	Diagram 2	Diagram 2	Diagram 2

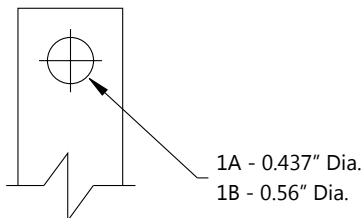


DIAGRAM 1

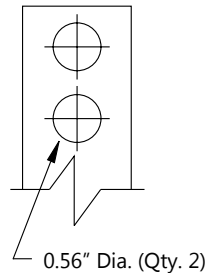


DIAGRAM 2

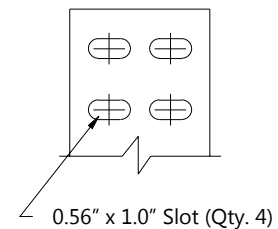


DIAGRAM 3

HPS Tribune

Energy Efficient (TP1/C802.2) Drive Isolation Transformers

ALUMINUM AND COPPER WOUND FEATURES

THREE PHASE SPECIFICATIONS



	7.5 to 175 kVA	220 to 660 kVA
Efficiency	Meets TP1/C802.2 efficiencies at 35% of rated load. Efficiencies are calculated under a linear load profile. Note: Energy efficient drive isolation transformers are not required by law in the U.S. Please refer to the standard drive isolation transformers on pages 121-130.	
UL Listed	File: E112313	File: E112313
CSA Certified	File: LR3902	File: LR3902
Frequency	60 Hz	60 Hz
Insulation System	220°C (150°C rise) 200°C (130°C rise) on some Copper units up to 40kVA	220°C (150°C rise) (Optional 115°C and 80°C rise available)
Enclosure Type	Heavy Duty Ventilated Type 3R Optional Type 4, 4X(stainless steel) and 12	Heavy Duty Ventilated Type 3R Optional Type 4, 4X(stainless steel) and 12
Enclosure Finish	ANSI 61 Grey, UL50	ANSI 61 Grey, UL50
Neutral	Neutral terminal for field connection (on applicable units).	Neutral terminal for field connection (on applicable units).
Standard Primary Taps	Refer to wiring diagrams for details.	Refer to wiring diagrams for details.
Termination	Front accessible separate high and low voltage terminations, suitable for copper and aluminum are provided for easy cable installation.	Front accessible separate high and low voltage terminations, suitable for copper and aluminum are provided for easy cable installation.
Thermostat	Standard on all units.	Standard on all units.
Conduit Knock-Outs	Standard on all units (no knock-outs on Stainless Steel enclosures).	None
Impedance	Typically 3 to 6%	Typically 3 to 6%
Mounting	Floor mounting available on all units. Wall & ceiling mount available on units up to 750 lbs. Refer to selection tables for details.	Floor mounting only.
Short Circuit Withstand	Meets UL and CSA short circuit withstand requirements.	Meets UL and CSA short circuit withstand requirements.

SECTION 4



FOR TERMINATION DETAILS SEE PAGE 146

FOR ACCESSORIES SEE PAGES 238 TO 241



Selection Tables

Listed below are our standard voltages. Other primary and secondary voltages available are 240, 380 and 600.



ALUMINUM WOUND, THREE PHASE

208 Delta Primary Volts

480Y Secondary Volts

60 Hz

kVA	Catalog Number	Case Style (Pages 226 - 234)	Dimensions			Approx. Weight (Lbs.)	Mtg Type W - Wall F - Floor	Wiring Diagram (Pages 243 - 258)
			Width	Depth	Height			
7.5	Outside of C802.2/TP1 guidelines, refer to Non-Energy Efficient Drive Isolation Transformers on page 126							
11	Outside of C802.2/TP1 guidelines, refer to Non-Energy Efficient Drive Isolation Transformers on page 126							
14	Outside of C802.2/TP1 guidelines, refer to Non-Energy Efficient Drive Isolation Transformers on page 126							
20	DE020BK	NH6	23.90	25.00	28.75	240	F or W *	SCD 7
27	DE027BK	NH6	23.90	25.00	28.75	300	F or W *	SCD 7
34	DE034BK	NH6	23.90	25.00	28.75	330	F or W *	SCD 7
40	DE040BK	NH6	23.90	25.00	28.75	350	F or W *	SCD 7
51	DE051BK	NH6	23.90	25.00	28.75	430	F or W *	SCD 7
63	DE063BK	NH3	26.00	25.00	38.00	530	F or W *	SCD 7
75	DE075BK	NH3	26.00	25.00	38.00	580	F or W *	SCD 7
93	DE093BK	NH3	26.00	25.00	38.00	630	F or W *	SCD 7
118	DE118BK	NH3	26.00	25.00	38.00	730	F or W *	SCD 7
145	DE145BK	NH4	32.00	29.50	41.00	830	F	SCD 7
175	DE175BK	NH4	32.00	29.50	41.00	930	F	SCD 7
220	DE220BK	NH4	32.00	29.50	41.00	1350	F	SCD 9
275	DE275BK	NJ1	39.50	34.00	51.50	1500	F	SCD 9
330	DE330BK	NJ1	39.50	34.00	51.50	1700	F	SCD 9
440	DE440BK	NJ2	48.50	38.40	59.00	2100	F	SCD 10
550	DE550BK	NJ2	48.50	38.40	59.00	2350	F	SCD 10
660	DE660BK	NJ3	51.50	43.40	66.00	2900	F	SCD 10

For shielded units, please add the suffix "S" to the above part numbers. (i.e. DE075BKS)

*WALL MOUNTING KIT AND/OR DRIP PLATE KIT REQUIRED. REFER TO PAGES 238 TO 239 FOR DETAILS.

230 Delta Primary Volts

230Y Secondary Volts

60 Hz

kVA	Catalog Number	Case Style (Pages 226 - 234)	Dimensions			Approx. Weight (Lbs.)	Mtg Type W - Wall F - Floor	Wiring Diagram (Pages 243 - 258)
			Width	Depth	Height			
7.5	Outside of C802.2/TP1 guidelines, refer to Non-Energy Efficient Drive Isolation Transformers on page 126							
11	Outside of C802.2/TP1 guidelines, refer to Non-Energy Efficient Drive Isolation Transformers on page 126							
14	Outside of C802.2/TP1 guidelines, refer to Non-Energy Efficient Drive Isolation Transformers on page 126							
20	DE020CC	NH6	23.90	25.00	28.75	240	F or W *	SCD 7
27	DE027CC	NH6	23.90	25.00	28.75	300	F or W *	SCD 7
34	DE034CC	NH6	23.90	25.00	28.75	330	F or W *	SCD 7
40	DE040CC	NH6	23.90	25.00	28.75	350	F or W *	SCD 7
51	DE051CC	NH6	23.90	25.00	28.75	430	F or W *	SCD 7
63	DE063CC	NH3	26.00	25.00	38.00	530	F or W *	SCD 7
75	DE075CC	NH3	26.00	25.00	38.00	580	F or W *	SCD 7
93	DE093CC	NH3	26.00	25.00	38.00	630	F or W *	SCD 7
118	DE118CC	NH3	26.00	25.00	38.00	730	F or W *	SCD 7
145	DE145CC	NH4	32.00	29.50	41.00	830	F	SCD 7
175	DE175CC	NH4	32.00	29.50	41.00	930	F	SCD 7
220	DE220CC	NH4	32.00	29.50	41.00	1350	F	SCD 9
275	DE275CC	NJ1	39.50	34.00	51.50	1500	F	SCD 9
330	DE330CC	NJ1	39.50	34.00	51.50	1700	F	SCD 9
440	DE440CC	NJ2	48.50	38.40	59.00	2100	F	SCD 10
550	DE550CC	NJ2	48.50	38.40	59.00	2350	F	SCD 10
660	DE660CC	NJ3	51.50	43.40	66.00	2900	F	SCD 10

For shielded units, please add the suffix "S" to the above part numbers. (i.e. DE075CCS)

*WALL MOUNTING KIT AND/OR DRIP PLATE KIT REQUIRED. REFER TO PAGES 238 TO 239 FOR DETAILS.

Products listed on this page are available as 'CE Mark' products. Please consult our sales office.

FOR TERMINATION DETAILS SEE PAGE 146

FOR ACCESSORIES SEE PAGES 238 TO 241

Data subject to change without notice.



Selection Tables

Listed below are our standard voltages. Other primary and secondary voltages available are 240, 380 and 600.



ALUMINUM WOUND, THREE PHASE

460 Delta Primary Volts

230Y Secondary Volts

60 Hz

kVA	Catalog Number	Case Style (Pages 226- 234)	Dimensions			Approx. Weight (Lbs.)	Mtg Type W - Wall F - Floor	Wiring Diagram (Pages 243 - 258)
			Width	Depth	Height			
7.5	Outside of C802.2/TP1 guidelines, refer to Non-Energy Efficient Drive Isolation Transformers on page 127							
11	Outside of C802.2/TP1 guidelines, refer to Non-Energy Efficient Drive Isolation Transformers on page 127							
14	Outside of C802.2/TP1 guidelines, refer to Non-Energy Efficient Drive Isolation Transformers on page 127							
20	DE020JC	NH6	23.90	25.00	28.75	240	F or W *	SCD 7
27	DE027JC	NH6	23.90	25.00	28.75	300	F or W *	SCD 7
34	DE034JC	NH6	23.90	25.00	28.75	330	F or W *	SCD 7
40	DE040JC	NH6	23.90	25.00	28.75	350	F or W *	SCD 7
51	DE051JC	NH6	23.90	25.00	28.75	430	F or W *	SCD 7
63	DE063JC	NH3	26.00	25.00	38.00	530	F or W *	SCD 7
75	DE075JC	NH3	26.00	25.00	38.00	580	F or W *	SCD 7
93	DE093JC	NH3	26.00	25.00	38.00	630	F or W *	SCD 7
118	DE118JC	NH3	26.00	25.00	38.00	730	F or W *	SCD 7
145	DE145JC	NH4	32.00	29.50	41.00	830	F	SCD 7
175	DE175JC	NH4	32.00	29.50	41.00	930	F	SCD 7
220	DE220JC	NH4	32.00	29.50	41.00	1350	F	SCD 9
275	DE275JC	NJ1	39.50	34.00	51.50	1500	F	SCD 9
330	DE330JC	NJ1	39.50	34.00	51.50	1700	F	SCD 9
440	DE440JC	NJ2	48.50	38.40	59.00	2100	F	SCD 10
550	DE550JC	NJ2	48.50	38.40	59.00	2350	F	SCD 10
660	DE660JC	NJ3	51.50	43.40	66.00	2900	F	SCD 10

For shielded units, please add the suffix "S" to the above part numbers. (i.e. DE075JCS)

*WALL MOUNTING KIT AND/OR DRIP PLATE KIT REQUIRED. REFER TO PAGES 238 TO 239 FOR DETAILS.

460 Delta Primary Volts

400Y Secondary Volts

60 Hz

kVA	Catalog Number	Case Style (Pages 226- 234)	Dimensions			Approx. Weight (Lbs.)	Mtg Type W - Wall F - Floor	Wiring Diagram (Pages 243 - 258)
			Width	Depth	Height			
7.5	Outside of C802.2/TP1 guidelines, refer to Non-Energy Efficient Drive Isolation Transformers on page 127							
11	Outside of C802.2/TP1 guidelines, refer to Non-Energy Efficient Drive Isolation Transformers on page 127							
14	Outside of C802.2/TP1 guidelines, refer to Non-Energy Efficient Drive Isolation Transformers on page 127							
20	DE020JH	NH6	23.90	25.00	28.75	240	F or W *	SCD 7
27	DE027JH	NH6	23.90	25.00	28.75	300	F or W *	SCD 7
34	DE034JH	NH6	23.90	25.00	28.75	330	F or W *	SCD 7
40	DE040JH	NH6	23.90	25.00	28.75	350	F or W *	SCD 7
51	DE051JH	NH6	23.90	25.00	28.75	430	F or W *	SCD 7
63	DE063JH	NH3	26.00	25.00	38.00	530	F or W *	SCD 7
75	DE075JH	NH3	26.00	25.00	38.00	580	F or W *	SCD 7
93	DE093JH	NH3	26.00	25.00	38.00	630	F or W *	SCD 7
118	DE118JH	NH3	26.00	25.00	38.00	730	F or W *	SCD 7
145	DE145JH	NH4	32.00	29.50	41.00	830	F	SCD 7
175	DE175JH	NH4	32.00	29.50	41.00	930	F	SCD 7
220	DE220JH	NH4	32.00	29.50	41.00	1350	F	SCD 9
275	DE275JH	NJ1	39.50	34.00	51.50	1500	F	SCD 9
330	DE330JH	NJ1	39.50	34.00	51.50	1700	F	SCD 9
440	DE440JH	NJ2	48.50	38.40	59.00	2100	F	SCD 10
550	DE550JH	NJ2	48.50	38.40	59.00	2350	F	SCD 10
660	DE660JH	NJ3	51.50	43.40	66.00	2900	F	SCD 10

For shielded units, please add the suffix "S" to the above part numbers. (i.e. DE075JHS)

*WALL MOUNTING KIT AND/OR DRIP PLATE KIT REQUIRED. REFER TO PAGES 238 TO 239 FOR DETAILS.

Products listed on this page are available as 'CE Mark' products. Please consult our sales office.

FOR TERMINATION DETAILS SEE PAGE 146

FOR ACCESSORIES SEE PAGES 238 TO 241

Data subject to change without notice.



Selection Tables

Listed below are our standard voltages. Other primary and secondary voltages available are 240, 380 and 600.



ALUMINUM WOUND, THREE PHASE

460 Delta Primary Volts

460Y Secondary Volts

60 Hz

kVA	Catalog Number	Case Style (Pages 226 - 234)	Dimensions			Approx. Weight (Lbs.)	Mtg Type W - Wall F - Floor	Wiring Diagram (Pages 243 - 258)
			Width	Depth	Height			
7.5	Outside of C802.2/TP1 guidelines, refer to Non-Energy Efficient Drive Isolation Transformers on page 128							
11	Outside of C802.2/TP1 guidelines, refer to Non-Energy Efficient Drive Isolation Transformers on page 128							
14	Outside of C802.2/TP1 guidelines, refer to Non-Energy Efficient Drive Isolation Transformers on page 128							
20	DE020JJ	NH6	23.90	25.00	28.75	240	F or W *	SCD 7
27	DE027JJ	NH6	23.90	25.00	28.75	300	F or W *	SCD 7
34	DE034JJ	NH6	23.90	25.00	28.75	330	F or W *	SCD 7
40	DE040JJ	NH6	23.90	25.00	28.75	350	F or W *	SCD 7
51	DE051JJ	NH6	23.90	25.00	28.75	430	F or W *	SCD 7
63	DE063JJ	NH3	26.00	25.00	38.00	530	F or W *	SCD 7
75	DE075JJ	NH3	26.00	25.00	38.00	580	F or W *	SCD 7
93	DE093JJ	NH3	26.00	25.00	38.00	630	F or W *	SCD 7
118	DE118JJ	NH3	26.00	25.00	38.00	730	F or W *	SCD 7
145	DE145JJ	NH4	32.00	29.50	41.00	830	F	SCD 7
175	DE175JJ	NH4	32.00	29.50	41.00	930	F	SCD 7
220	DE220JJ	NH4	32.00	29.50	41.00	1350	F	SCD 9
275	DE275JJ	NJ1	39.50	34.00	51.50	1500	F	SCD 9
330	DE330JJ	NJ1	39.50	34.00	51.50	1700	F	SCD 9
440	DE440JJ	NJ2	48.50	38.40	59.00	2100	F	SCD 10
550	DE550JJ	NJ2	48.50	38.40	59.00	2350	F	SCD 10
660	DE660JJ	NJ3	51.50	43.40	66.00	2900	F	SCD 10

For shielded units, please add the suffix "S" to the above part numbers. (i.e. DE075JJS)

*WALL MOUNTING KIT AND/OR DRIP PLATE KIT REQUIRED. REFER TO PAGES 238 TO 239 FOR DETAILS.

480 Delta Primary Volts

240Y Secondary Volts

60 Hz

kVA	Catalog Number	Case Style (Pages 226 - 234)	Dimensions			Approx. Weight (Lbs.)	Mtg Type W - Wall F - Floor	Wiring Diagram (Pages 243 - 258)
			Width	Depth	Height			
7.5	Outside of C802.2/TP1 guidelines, refer to Non-Energy Efficient Drive Isolation Transformers on page 128							
11	Outside of C802.2/TP1 guidelines, refer to Non-Energy Efficient Drive Isolation Transformers on page 128							
14	Outside of C802.2/TP1 guidelines, refer to Non-Energy Efficient Drive Isolation Transformers on page 128							
20	DE020KD	NH6	23.90	25.00	28.75	240	F or W *	SCD 7
27	DE027KD	NH6	23.90	25.00	28.75	300	F or W *	SCD 7
34	DE034KD	NH6	23.90	25.00	28.75	330	F or W *	SCD 7
40	DE040KD	NH6	23.90	25.00	28.75	350	F or W *	SCD 7
51	DE051KD	NH6	23.90	25.00	28.75	430	F or W *	SCD 7
63	DE063KD	NH3	26.00	25.00	38.00	530	F or W *	SCD 7
75	DE075KD	NH3	26.00	25.00	38.00	580	F or W *	SCD 7
93	DE093KD	NH3	26.00	25.00	38.00	630	F or W *	SCD 7
118	DE118KD	NH3	26.00	25.00	38.00	730	F or W *	SCD 7
145	DE145KD	NH4	32.00	29.50	41.00	830	F	SCD 7
175	DE175KD	NH4	32.00	29.50	41.00	930	F	SCD 7
220	DE220KD	NH4	32.00	29.50	41.00	1350	F	SCD 9
275	DE275KD	NJ1	39.50	34.00	51.50	1500	F	SCD 9
330	DE330KD	NJ1	39.50	34.00	51.50	1700	F	SCD 9
440	DE440KD	NJ2	48.50	38.40	59.00	2100	F	SCD 10
550	DE550KD	NJ2	48.50	38.40	59.00	2350	F	SCD 10
660	DE660KD	NJ3	51.50	43.40	66.00	2900	F	SCD 10

For shielded units, please add the suffix "S" to the above part numbers. (i.e. DE075KDS)

*WALL MOUNTING KIT AND/OR DRIP PLATE KIT REQUIRED. REFER TO PAGES 238 TO 239 FOR DETAILS.

Products listed on this page are available as 'CE Mark' products. Please consult our sales office.

FOR TERMINATION DETAILS SEE PAGE 146

FOR ACCESSORIES SEE PAGES 238 TO 241

Data subject to change without notice.



Selection Tables

Listed below are our standard voltages. Other primary and secondary voltages available are 240, 380 and 600.



ALUMINUM WOUND, THREE PHASE

480 Delta Primary Volts

480Y Secondary Volts

60 Hz

kVA	Catalog Number	Case Style (Pages 226 - 234)	Dimensions			Approx. Weight (Lbs.)	Mtg Type W - Wall F - Floor	Wiring Diagram (Pages 243 - 258)
			Width	Depth	Height			
7.5			Outside of C802.2/TP1 guidelines, refer to Non-Energy Efficient Drive Isolation Transformers on page 129					
11			Outside of C802.2/TP1 guidelines, refer to Non-Energy Efficient Drive Isolation Transformers on page 129					
14			Outside of C802.2/TP1 guidelines, refer to Non-Energy Efficient Drive Isolation Transformers on page 129					
20	DE020KK	NH6	23.90	25.00	28.75	240	F or W *	SCD 7
27	DE027KK	NH6	23.90	25.00	28.75	300	F or W *	SCD 7
34	DE034KK	NH6	23.90	25.00	28.75	330	F or W *	SCD 7
40	DE040KK	NH6	23.90	25.00	28.75	350	F or W *	SCD 7
51	DE051KK	NH6	23.90	25.00	28.75	430	F or W *	SCD 7
63	DE063KK	NH3	26.00	25.00	38.00	530	F or W *	SCD 7
75	DE075KK	NH3	26.00	25.00	38.00	580	F or W *	SCD 7
93	DE093KK	NH3	26.00	25.00	38.00	630	F or W *	SCD 7
118	DE118KK	NH3	26.00	25.00	38.00	730	F or W *	SCD 7
145	DE145KK	NH4	32.00	29.50	41.00	830	F	SCD 7
175	DE175KK	NH4	32.00	29.50	41.00	930	F	SCD 7
220	DE220KK	NH4	32.00	29.50	41.00	1350	F	SCD 9
275	DE275KK	NJ1	39.50	34.00	51.50	1500	F	SCD 9
330	DE330KK	NJ1	39.50	34.00	51.50	1700	F	SCD 9
440	DE440KK	NJ2	48.50	38.40	59.00	2100	F	SCD 10
550	DE550KK	NJ2	48.50	38.40	59.00	2350	F	SCD 10
660	DE660KK	NJ3	51.50	43.40	66.00	2900	F	SCD 10

For shielded units, please add the suffix "S" to the above part numbers. (i.e. DE075KKS)

*WALL MOUNTING KIT AND/OR DRIP PLATE KIT REQUIRED. REFER TO PAGES 238 TO 239 FOR DETAILS.

575 Delta Primary Volts

460Y Secondary Volts

60 Hz

kVA	Catalog Number	Case Style (Pages 226 - 234)	Dimensions			Approx. Weight (Lbs.)	Mtg Type W - Wall F - Floor	Wiring Diagram (Pages 243 - 258)
			Width	Depth	Height			
7.5			Outside of C802.2/TP1 guidelines, refer to Non-Energy Efficient Drive Isolation Transformers on page 129					
11			Outside of C802.2/TP1 guidelines, refer to Non-Energy Efficient Drive Isolation Transformers on page 129					
14			Outside of C802.2/TP1 guidelines, refer to Non-Energy Efficient Drive Isolation Transformers on page 129					
20	DE020NJ	NH6	23.90	25.00	28.75	300	F or W *	SCD 7
27	DE027NJ	NH6	23.90	25.00	28.75	300	F or W *	SCD 7
34	DE034NJ	NH6	23.90	25.00	28.75	360	F or W *	SCD 7
40	DE040NJ	NH6	23.90	25.00	28.75	390	F or W *	SCD 7
51	DE051NJ	NH6	23.90	25.00	28.75	410	F or W *	SCD 7
63	DE063NJ	NH3	26.00	25.00	38.00	560	F or W *	SCD 7
75	DE075NJ	NH3	26.00	25.00	38.00	600	F or W *	SCD 7
93	DE093NJ	NH3	26.00	25.00	38.00	780	F or W *	SCD 7
118	DE118NJ	NH3	26.00	25.00	38.00	880	F or W *	SCD 7
145	DE145NJ	NH4	32.00	29.50	41.00	1050	F	SCD 7
175	DE175NJ	NH4	32.00	29.50	41.00	1200	F	SCD 7
220	DE220NJ	NJ1	39.50	34.00	51.50	1650	F	SCD 9
275	DE275NJ	NJ1	39.50	34.00	51.50	1900	F	SCD 9
330	DE330NJ	NJ1	39.50	34.00	51.50	2000	F	SCD 9
440	DE440NJ	NJ2	48.50	38.40	59.00	3000	F	SCD 10
550	DE550NJ	NJ2	48.50	38.40	59.00	3000	F	SCD 10
660	DE660NJ	NJ3	51.50	43.40	66.00	2900	F	SCD 10

For shielded units, please add the suffix "S" to the above part numbers. (i.e. DE075NJS)

*WALL MOUNTING KIT AND/OR DRIP PLATE KIT REQUIRED. REFER TO PAGES 238 TO 239 FOR DETAILS.

Products listed on this page are available as 'CE Mark' products. Please consult our sales office.

FOR TERMINATION DETAILS SEE PAGE 146

FOR ACCESSORIES SEE PAGES 238 TO 241



Selection Tables

Listed below are our standard voltages. Other primary and secondary voltages available are 240, 380 and 600.



ALUMINUM WOUND, THREE PHASE

575 Delta Primary Volts

575Y Secondary Volts

60 Hz

kVA	Catalog Number	Case Style (Pages 226 - 234)	Dimensions			Approx. Weight (Lbs.)	Mtg Type W - Wall F - Floor	Wiring Diagram (Pages 243 - 258)
			Width	Depth	Height			
7.5	Outside of C802.2/TP1 guidelines, refer to Non-Energy Efficient Drive Isolation Transformers on page 130							
11	Outside of C802.2/TP1 guidelines, refer to Non-Energy Efficient Drive Isolation Transformers on page 130							
14	Outside of C802.2/TP1 guidelines, refer to Non-Energy Efficient Drive Isolation Transformers on page 130							
20	DE020NN	NH6	23.90	25.00	28.75	240	F or W *	SCD 7
27	DE027NN	NH6	23.90	25.00	28.75	300	F or W *	SCD 7
34	DE034NN	NH6	23.90	25.00	28.75	330	F or W *	SCD 7
40	DE040NN	NH6	23.90	25.00	28.75	350	F or W *	SCD 7
51	DE051NN	NH6	23.90	25.00	28.75	430	F or W *	SCD 7
63	DE063NN	NH3	26.00	25.00	38.00	530	F or W *	SCD 7
75	DE075NN	NH3	26.00	25.00	38.00	580	F or W *	SCD 7
93	DE093NN	NH3	26.00	25.00	38.00	630	F or W *	SCD 7
118	DE118NN	NH3	26.00	25.00	38.00	730	F or W *	SCD 7
145	DE145NN	NH4	32.00	29.50	41.00	830	F	SCD 7
175	DE175NN	NH4	32.00	29.50	41.00	930	F	SCD 7
220	DE220NN	NH4	32.00	29.50	41.00	1350	F	SCD 9
275	DE275NN	NJ1	39.50	34.00	51.50	1500	F	SCD 9
330	DE330NN	NJ1	39.50	34.00	51.50	1700	F	SCD 9
440	DE440NN	NJ2	48.50	38.40	59.00	2100	F	SCD 10
550	DE550NN	NJ2	48.50	38.40	59.00	2350	F	SCD 10
660	DE660NN	NJ3	51.50	43.40	66.00	2900	F	SCD 10

For shielded units, please add the suffix "S" to the above part numbers. (i.e. DE075NNS)

*WALL MOUNTING KIT AND/OR DRIP PLATE KIT REQUIRED. REFER TO PAGES 238 TO 239 FOR DETAILS.

COPPER WOUND, THREE PHASE

208 Delta Primary Volts

480Y Secondary Volts

60 Hz

kVA	Catalog Number	Case Style (Pages 226 - 234)	Dimensions			Approx. Weight (Lbs.)	Mtg Type W - Wall F - Floor	Wiring Diagram (Pages 243 - 258)
			Width	Depth	Height			
7.5	Outside of C802.2/TP1 guidelines, refer to Non-Energy Efficient Drive Isolation Transformers on page 130							
11	Outside of C802.2/TP1 guidelines, refer to Non-Energy Efficient Drive Isolation Transformers on page 130							
14	Outside of C802.2/TP1 guidelines, refer to Non-Energy Efficient Drive Isolation Transformers on page 130							
20	DE020BKC	NH6	23.90	25.00	28.75	270	F or W *	SCD 7
27	DE027BKC	NH6	23.90	25.00	28.75	330	F or W *	SCD 7
34	DE034BKC	NH6	23.90	25.00	28.75	350	F or W *	SCD 7
40	DE040BKC	NH6	23.90	25.00	28.75	380	F or W *	SCD 7
51	DE051BKC	NH6	23.90	25.00	28.75	450	F or W *	SCD 7
63	DE063BKC	NH3	26.00	25.00	38.00	550	F or W *	SCD 7
75	DE075BKC	NH3	26.00	25.00	38.00	600	F or W *	SCD 7
93	DE093BKC	NH3	26.00	25.00	38.00	630	F or W *	SCD 7
118	DE118BKC	NH3	26.00	25.00	38.00	880	F	SCD 7
145	DE145BKC	NH4	32.00	29.50	41.00	930	F	SCD 7
175	DE175BKC	NH4	32.00	29.50	41.00	1100	F	SCD 7
220	DE220BKC	NH4	32.00	29.50	41.00	1450	F	SCD 9
275	DE275BKC	NJ1	39.50	34.00	51.50	1680	F	SCD 9
330	DE330BKC	NJ1	39.50	34.00	51.50	1850	F	SCD 9
440	DE440BKC	NJ2	48.50	38.40	59.00	2350	F	SCD 10
550	DE550BKC	NJ2	48.50	38.40	59.00	2800	F	SCD 10
660	DE660BKC	NJ3	51.50	43.40	66.00	3250	F	SCD 10

For shielded units, please replace the suffix "C" with a 'K' on the above part numbers. (i.e. DE075BKK)

*WALL MOUNTING KIT AND/OR DRIP PLATE KIT REQUIRED. REFER TO PAGES 238 TO 239 FOR DETAILS.

Products listed on this page are available as 'CE Mark' products. Please consult our sales office.

FOR TERMINATION DETAILS SEE PAGE 146

FOR ACCESSORIES SEE PAGES 238 TO 241

Data subject to change without notice.



Selection Tables

Listed below are our standard voltages. Other primary and secondary voltages available are 240, 380 and 600.



COPPER WOUND, THREE PHASE

230 Delta Primary Volts

230Y Secondary Volts

60 Hz

kVA	Catalog Number	Case Style (Pages 226 - 234)	Dimensions			Approx. Weight (Lbs.)	Mtg Type W - Wall F - Floor	Wiring Diagram (Pages 243 - 258)
			Width	Depth	Height			
7.5	Outside of C802.2/TP1 guidelines, refer to Non-Energy Efficient Drive Isolation Transformers on page 131							
11	Outside of C802.2/TP1 guidelines, refer to Non-Energy Efficient Drive Isolation Transformers on page 131							
14	Outside of C802.2/TP1 guidelines, refer to Non-Energy Efficient Drive Isolation Transformers on page 131							
20	DE020CCC	NH6	23.90	25.00	28.75	270	F or W *	SCD 7
27	DE027CCC	NH6	23.90	25.00	28.75	330	F or W *	SCD 7
34	DE034CCC	NH6	23.90	25.00	28.75	350	F or W *	SCD 7
40	DE040CCC	NH6	23.90	25.00	28.75	380	F or W *	SCD 7
51	DE051CCC	NH6	23.90	25.00	28.75	450	F or W *	SCD 7
63	DE063CCC	NH3	26.00	25.00	38.00	550	F or W *	SCD 7
75	DE075CCC	NH3	26.00	25.00	38.00	600	F or W *	SCD 7
93	DE093CCC	NH3	26.00	25.00	38.00	630	F or W *	SCD 7
118	DE118CCC	NH3	26.00	25.00	38.00	880	F	SCD 7
145	DE145CCC	NH4	32.00	29.50	41.00	930	F	SCD 7
175	DE175CCC	NH4	32.00	29.50	41.00	1100	F	SCD 7
220	DE220CCC	NH4	32.00	29.50	41.00	1450	F	SCD 9
275	DE275CCC	NJ1	39.50	34.00	51.50	1680	F	SCD 9
330	DE330CCC	NJ1	39.50	34.00	51.50	1850	F	SCD 9
440	DE440CCC	NJ2	48.50	38.40	59.00	2350	F	SCD 10
550	DE550CCC	NJ2	48.50	38.40	59.00	2800	F	SCD 10
660	DE660CCC	NJ3	51.50	43.40	66.00	3250	F	SCD 10

For shielded units, please replace the suffix "C" with a 'K' on the above part numbers. (i.e. DE075CCK)

*WALL MOUNTING KIT AND/OR DRIP PLATE KIT REQUIRED. REFER TO PAGES 238 TO 239 FOR DETAILS.

460 Delta Primary Volts

230Y Secondary Volts

60 Hz

kVA	Catalog Number	Case Style (Pages 226 - 234)	Dimensions			Approx. Weight (Lbs.)	Mtg Type W - Wall F - Floor	Wiring Diagram (Pages 243 - 258)
			Width	Depth	Height			
7.5	Outside of C802.2/TP1 guidelines, refer to Non-Energy Efficient Drive Isolation Transformers on page 131							
11	Outside of C802.2/TP1 guidelines, refer to Non-Energy Efficient Drive Isolation Transformers on page 131							
14	Outside of C802.2/TP1 guidelines, refer to Non-Energy Efficient Drive Isolation Transformers on page 131							
20	DE020JCCN	NH6	23.90	25.00	28.75	270	F or W *	SCD 7
27	DE027JCCN	NH6	23.90	25.00	28.75	330	F or W *	SCD 7
34	DE034JCC	NH6	23.90	25.00	28.75	350	F or W *	SCD 7
40	DE040JCC	NH6	23.90	25.00	28.75	380	F or W *	SCD 7
51	DE051JCC	NH6	23.90	25.00	28.75	450	F or W *	SCD 7
63	DE063JCC	NH3	26.00	25.00	38.00	550	F or W *	SCD 7
75	DE075JCC	NH3	26.00	25.00	38.00	600	F or W *	SCD 7
93	DE093JCC	NH3	26.00	25.00	38.00	630	F or W *	SCD 7
118	DE118JCC	NH3	26.00	25.00	38.00	880	F	SCD 7
145	DE145JCC	NH4	32.00	29.50	41.00	930	F	SCD 7
175	DE175JCC	NH4	32.00	29.50	41.00	1100	F	SCD 7
220	DE220JCC	NH4	32.00	29.50	41.00	1450	F	SCD 9
275	DE275JCC	NJ1	39.50	34.00	51.50	1680	F	SCD 9
330	DE330JCC	NJ1	39.50	34.00	51.50	1850	F	SCD 9
440	DE440JCC	NJ2	48.50	38.40	59.00	2350	F	SCD 10
550	DE550JCC	NJ2	48.50	38.40	59.00	2800	F	SCD 10
660	DE660JCC	NJ3	51.50	43.40	66.00	3250	F	SCD 10

For shielded units, please replace the suffix "C" with a 'K' on the above part numbers. (i.e. DE075JCK)

*WALL MOUNTING KIT AND/OR DRIP PLATE KIT REQUIRED. REFER TO PAGES 238 TO 239 FOR DETAILS.

Products listed on this page are available as 'CE Mark' products. Please consult our sales office.

FOR TERMINATION DETAILS SEE PAGE 146

FOR ACCESSORIES SEE PAGES 238 TO 241

Data subject to change without notice.



Selection Tables

Listed below are our standard voltages. Other primary and secondary voltages available are 240, 380 and 600.



COPPER WOUND, THREE PHASE

460 Delta Primary Volts

400Y Secondary Volts

60 Hz

kVA	Catalog Number	Case Style (Pages 226 - 234)	Dimensions			Approx. Weight (Lbs.)	Mtg Type W - Wall F - Floor	Wiring Diagram (Pages 243 - 258)
			Width	Depth	Height			
7.5	Outside of C802.2/TP1 guidelines, refer to Non-Energy Efficient Drive Isolation Transformers on page 132							
11	Outside of C802.2/TP1 guidelines, refer to Non-Energy Efficient Drive Isolation Transformers on page 132							
14	Outside of C802.2/TP1 guidelines, refer to Non-Energy Efficient Drive Isolation Transformers on page 132							
20	DE020JHCN	NH6	23.90	25.00	28.75	270	F or W *	SCD 7
27	DE027JHCN	NH6	23.90	25.00	28.75	330	F or W *	SCD 7
34	DE034JHC	NH6	23.90	25.00	28.75	350	F or W *	SCD 7
40	DE040JHC	NH6	23.90	25.00	28.75	380	F or W *	SCD 7
51	DE051JHC	NH6	23.90	25.00	28.75	450	F or W *	SCD 7
63	DE063JHC	NH3	26.00	25.00	38.00	550	F or W *	SCD 7
75	DE075JHC	NH3	26.00	25.00	38.00	600	F or W *	SCD 7
93	DE093JHC	NH3	26.00	25.00	38.00	630	F or W *	SCD 7
118	DE118JHC	NH3	26.00	25.00	38.00	880	F	SCD 7
145	DE145JHC	NH4	32.00	29.50	41.00	930	F	SCD 7
175	DE175JHC	NH4	32.00	29.50	41.00	1100	F	SCD 7
220	DE220JHC	NH4	32.00	29.50	41.00	1450	F	SCD 9
275	DE275JHC	NJ1	39.50	34.00	51.50	1680	F	SCD 9
330	DE330JHC	NJ1	39.50	34.00	51.50	1850	F	SCD 9
440	DE440JHC	NJ2	48.50	38.40	59.00	2350	F	SCD 10
550	DE550JHC	NJ2	48.50	38.40	59.00	2800	F	SCD 10
660	DE660JHC	NJ3	51.50	43.40	66.00	3250	F	SCD 10

For shielded units, please replace the suffix "C" with a 'K' on the above part numbers. (i.e. DE075JHK)

*WALL MOUNTING KIT AND/OR DRIP PLATE KIT REQUIRED. REFER TO PAGES 238 TO 239 FOR DETAILS.

460 Delta Primary Volts

460Y Secondary Volts

60 Hz

kVA	Catalog Number	Case Style (Pages 226 - 234)	Dimensions			Approx. Weight (Lbs.)	Mtg Type W - Wall F - Floor	Wiring Diagram (Pages 243 - 258)
			Width	Depth	Height			
7.5	Outside of C802.2/TP1 guidelines, refer to Non-Energy Efficient Drive Isolation Transformers on page 132							
11	Outside of C802.2/TP1 guidelines, refer to Non-Energy Efficient Drive Isolation Transformers on page 132							
14	Outside of C802.2/TP1 guidelines, refer to Non-Energy Efficient Drive Isolation Transformers on page 132							
20	DE020JJC	NH6	23.90	25.00	28.75	270	F or W *	SCD 7
27	DE027JJC	NH6	23.90	25.00	28.75	330	F or W *	SCD 7
34	DE034JJC	NH6	23.90	25.00	28.75	350	F or W *	SCD 7
40	DE040JJC	NH6	23.90	25.00	28.75	380	F or W *	SCD 7
51	DE051JJC	NH6	23.90	25.00	28.75	450	F or W *	SCD 7
63	DE063JJC	NH3	26.00	25.00	38.00	550	F or W *	SCD 7
75	DE075JJC	NH3	26.00	25.00	38.00	600	F or W *	SCD 7
93	DE093JJC	NH3	26.00	25.00	38.00	630	F or W *	SCD 7
118	DE118JJC	NH3	26.00	25.00	38.00	880	F	SCD 7
145	DE145JJC	NH4	32.00	29.50	41.00	930	F	SCD 7
175	DE175JJC	NH4	32.00	29.50	41.00	1100	F	SCD 7
220	DE220JJC	NH4	32.00	29.50	41.00	1450	F	SCD 9
275	DE275JJC	NJ1	39.50	34.00	51.50	1680	F	SCD 9
330	DE330JJC	NJ1	39.50	34.00	51.50	1850	F	SCD 9
440	DE440JJC	NJ2	48.50	38.40	59.00	2350	F	SCD 10
550	DE550JJC	NJ2	48.50	38.40	59.00	2800	F	SCD 10
660	DE660JJC	NJ3	51.50	43.40	66.00	3250	F	SCD 10

For shielded units, please replace the suffix "C" with a 'K' on the above part numbers. (i.e. DE075JJK)

*WALL MOUNTING KIT AND/OR DRIP PLATE KIT REQUIRED. REFER TO PAGES 238 TO 239 FOR DETAILS.

Products listed on this page are available as 'CE Mark' products. Please consult our sales office.

FOR TERMINATION DETAILS SEE PAGE 146

FOR ACCESSORIES SEE PAGES 238 TO 241

Data subject to change without notice.



Selection Tables

Listed below are our standard voltages. Other primary and secondary voltages available are 240, 380 and 600.



COPPER WOUND, THREE PHASE

480 Delta Primary Volts

240Y Secondary Volts

60 Hz

kVA	Catalog Number	Case Style (Pages 226 - 234)	Dimensions			Approx. Weight (Lbs.)	Mtg Type W - Wall F - Floor	Wiring Diagram (Pages 243 - 258)
			Width	Depth	Height			
7.5	Outside of C802.2/TP1 guidelines, refer to Non-Energy Efficient Drive Isolation Transformers on page 133							
11	Outside of C802.2/TP1 guidelines, refer to Non-Energy Efficient Drive Isolation Transformers on page 133							
14	Outside of C802.2/TP1 guidelines, refer to Non-Energy Efficient Drive Isolation Transformers on page 133							
20	DE020KDCN	NH6	23.90	25.00	28.75	270	F or W *	SCD 7
27	DE027KDCN	NH6	23.90	25.00	28.75	330	F or W *	SCD 7
34	DE034KDCN	NH6	23.90	25.00	28.75	350	F or W *	SCD 7
40	DE040KDC	NH6	23.90	25.00	28.75	380	F or W *	SCD 7
51	DE051KDC	NH6	23.90	25.00	28.75	450	F or W *	SCD 7
63	DE063KDC	NH3	26.00	25.00	38.00	550	F or W *	SCD 7
75	DE075KDC	NH3	26.00	25.00	38.00	600	F or W *	SCD 7
93	DE093KDC	NH3	26.00	25.00	38.00	630	F or W *	SCD 7
118	DE118KDC	NH3	26.00	25.00	38.00	880	F	SCD 7
145	DE145KDC	NH4	32.00	29.50	41.00	930	F	SCD 7
175	DE175KDC	NH4	32.00	29.50	41.00	1100	F	SCD 7
220	DE220KDC	NH4	32.00	29.50	41.00	1450	F	SCD 9
275	DE275KDC	NJ1	39.50	34.00	51.50	1680	F	SCD 9
330	DE330KDC	NJ1	39.50	34.00	51.50	1850	F	SCD 9
440	DE440KDC	NJ2	48.50	38.40	59.00	2350	F	SCD 10
550	DE550KDC	NJ2	48.50	38.40	59.00	2800	F	SCD 10
660	DE660KDC	NJ3	51.50	43.40	66.00	3250	F	SCD 10

For shielded units, please replace the suffix "C" with a 'K' on the above part numbers. (i.e. DE075KDK)

*WALL MOUNTING KIT AND/OR DRIP PLATE KIT REQUIRED. REFER TO PAGES 238 TO 239 FOR DETAILS.

480 Delta Primary Volts

480Y Secondary Volts

60 Hz

kVA	Catalog Number	Case Style (Pages 226 - 234)	Dimensions			Approx. Weight (Lbs.)	Mtg Type W - Wall F - Floor	Wiring Diagram (Pages 243 - 258)
			Width	Depth	Height			
7.5	Outside of C802.2/TP1 guidelines, refer to Non-Energy Efficient Drive Isolation Transformers on page 133							
11	Outside of C802.2/TP1 guidelines, refer to Non-Energy Efficient Drive Isolation Transformers on page 133							
14	Outside of C802.2/TP1 guidelines, refer to Non-Energy Efficient Drive Isolation Transformers on page 133							
20	DE020KKCN	NH6	23.90	25.00	28.75	270	F or W *	SCD 7
27	DE027KKCN	NH6	23.90	25.00	28.75	330	F or W *	SCD 7
34	DE034KKCN	NH6	23.90	25.00	28.75	350	F or W *	SCD 7
40	DE040KKC	NH6	23.90	25.00	28.75	380	F or W *	SCD 7
51	DE051KKC	NH6	23.90	25.00	28.75	450	F or W *	SCD 7
63	DE063KKC	NH3	26.00	25.00	38.00	550	F or W *	SCD 7
75	DE075KKC	NH3	26.00	25.00	38.00	600	F or W *	SCD 7
93	DE093KKC	NH3	26.00	25.00	38.00	630	F or W *	SCD 7
118	DE118KKC	NH3	26.00	25.00	38.00	880	F	SCD 7
145	DE145KKC	NH4	32.00	29.50	41.00	930	F	SCD 7
175	DE175KKC	NH4	32.00	29.50	41.00	1100	F	SCD 7
220	DE220KKC	NH4	32.00	29.50	41.00	1450	F	SCD 9
275	DE275KKC	NJ1	39.50	34.00	51.50	1680	F	SCD 9
330	DE330KKC	NJ1	39.50	34.00	51.50	1850	F	SCD 9
440	DE440KKC	NJ2	48.50	38.40	59.00	2350	F	SCD 10
550	DE550KKC	NJ2	48.50	38.40	59.00	2800	F	SCD 10
660	DE660KKC	NJ3	51.50	43.40	66.00	3250	F	SCD 10

For shielded units, please replace the suffix "C" with a 'K' on the above part numbers. (i.e. DE075KKK)

*WALL MOUNTING KIT AND/OR DRIP PLATE KIT REQUIRED. REFER TO PAGES 238 TO 239 FOR DETAILS.



Selection Tables

Listed below are our standard voltages. Other primary and secondary voltages available are 240, 380 and 600.

COPPER WOUND, THREE PHASE



575 Delta Primary Volts

460Y Secondary Volts

60 Hz

kVA	Catalog Number	Case Style (Pages 226 - 234)	Dimensions			Approx. Weight (Lbs.)	Mtg Type W - Wall F - Floor	Wiring Diagram (Pages 243 - 258)
			Width	Depth	Height			
7.5	Outside of C802.2/TP1 guidelines, refer to Non-Energy Efficient Drive Isolation Transformers on page 134							
11	Outside of C802.2/TP1 guidelines, refer to Non-Energy Efficient Drive Isolation Transformers on page 134							
14	Outside of C802.2/TP1 guidelines, refer to Non-Energy Efficient Drive Isolation Transformers on page 134							
20	DE020NJCN	NH6	23.90	25.00	28.75	270	F or W *	SCD 7
27	DE027NJCN	NH6	23.90	25.00	28.75	330	F or W *	SCD 7
34	DE034NJCN	NH6	23.90	25.00	28.75	350	F or W *	SCD 7
40	DE040NJCN	NH6	23.90	25.00	28.75	380	F or W *	SCD 7
51	DE051NJC	NH6	23.90	25.00	28.75	450	F or W *	SCD 7
63	DE063NJC	NH3	26.00	25.00	38.00	550	F or W *	SCD 7
75	DE075NJC	NH3	26.00	25.00	38.00	600	F or W *	SCD 7
93	DE093NJC	NH3	26.00	25.00	38.00	630	F or W *	SCD 7
118	DE118NJC	NH3	26.00	25.00	38.00	880	F	SCD 7
145	DE145NJC	NH4	32.00	29.50	41.00	930	F	SCD 7
175	DE175NJC	NH4	32.00	29.50	41.00	1100	F	SCD 7
220	DE220NJC	NH4	32.00	29.50	41.00	1450	F	SCD 9
275	DE275NJC	NJ1	39.50	34.00	51.50	1680	F	SCD 9
330	DE330NJC	NJ1	39.50	34.00	51.50	1850	F	SCD 9
440	DE440NJC	NJ2	48.50	38.40	59.00	2350	F	SCD 10
550	DE550NJC	NJ2	48.50	38.40	59.00	2800	F	SCD 10
660	DE660NJC	NJ3	51.50	43.40	66.00	3250	F	SCD 10

For shielded units, please replace the suffix "C" with a 'K' on the above part numbers. (i.e. DE075NJK)

*WALL MOUNTING KIT AND/OR DRIP PLATE KIT REQUIRED. REFER TO PAGES 238 TO 239 FOR DETAILS.

575 Delta Primary Volts

575Y Secondary Volts

60 Hz

kVA	Catalog Number	Case Style (Pages 226 - 234)	Dimensions			Approx. Weight (Lbs.)	Mtg Type W - Wall F - Floor	Wiring Diagram (Pages 243 - 258)
			Width	Depth	Height			
7.5	Outside of C802.2/TP1 guidelines, refer to Non-Energy Efficient Drive Isolation Transformers on page 134							
11	Outside of C802.2/TP1 guidelines, refer to Non-Energy Efficient Drive Isolation Transformers on page 134							
14	Outside of C802.2/TP1 guidelines, refer to Non-Energy Efficient Drive Isolation Transformers on page 134							
20	DE020NNCN	NH6	23.90	25.00	28.75	270	F or W *	SCD 7
27	DE027NNCN	NH6	23.90	25.00	28.75	330	F or W *	SCD 7
34	DE034NNCN	NH6	23.90	25.00	28.75	350	F or W *	SCD 7
40	DE040NNCN	NH6	23.90	25.00	28.75	380	F or W *	SCD 7
51	DE051NNC	NH6	23.90	25.00	28.75	450	F or W *	SCD 7
63	DE063NNC	NH3	26.00	25.00	38.00	550	F or W *	SCD 7
75	DE075NNC	NH3	26.00	25.00	38.00	600	F or W *	SCD 7
93	DE093NNC	NH3	26.00	25.00	38.00	630	F or W *	SCD 7
118	DE118NNC	NH3	26.00	25.00	38.00	880	F	SCD 7
145	DE145NNC	NH4	32.00	29.50	41.00	930	F	SCD 7
175	DE175NNC	NH4	32.00	29.50	41.00	1100	F	SCD 7
220	DE220NNC	NH4	32.00	29.50	41.00	1450	F	SCD 9
275	DE275NNC	NJ1	39.50	34.00	51.50	1680	F	SCD 9
330	DE330NNC	NJ1	39.50	34.00	51.50	1850	F	SCD 9
440	DE440NNC	NJ2	48.50	38.40	59.00	2350	F	SCD 10
550	DE550NNC	NJ2	48.50	38.40	59.00	2800	F	SCD 10
660	DE660NNC	NJ3	51.50	43.40	66.00	3250	F	SCD 10

For shielded units, please replace the suffix "C" with a 'K' on the above part numbers. (i.e. DE075NNK)

*WALL MOUNTING KIT AND/OR DRIP PLATE KIT REQUIRED. REFER TO PAGES 238 TO 239 FOR DETAILS.

Products listed on this page are available as 'CE Mark' products. Please consult our sales office.

FOR TERMINATION DETAILS SEE PAGE 146

FOR ACCESSORIES SEE PAGES 238 TO 241

Data subject to change without notice.





TERMINATION DETAILS

THREE PHASE, ALUMINUM AND COPPER TERMINATION - LUGS OR PADS

kVA	VOLTAGE							
	208	230	240	380	460	480	575	600
7.5	Lugs	Lugs	Lugs	Lugs	Lugs	Lugs	Lugs	Lugs
11	Lugs	Lugs	Lugs	Lugs	Lugs	Lugs	Lugs	Lugs
14	Lugs	Lugs	Lugs	Lugs	Lugs	Lugs	Lugs	Lugs
20	Lugs	Lugs	Lugs	Lugs	Lugs	Lugs	Lugs	Lugs
27	Lugs	Lugs	Lugs	Lugs	Lugs	Lugs	Lugs	Lugs
34	Lugs	Lugs	Lugs	Lugs	Lugs	Lugs	Lugs	Lugs
40	Lugs	Lugs	Lugs	Lugs	Lugs	Lugs	Lugs	Lugs
51	Lugs	Lugs	Lugs	Lugs	Lugs	Lugs	Lugs	Lugs
63	Lugs	Lugs	Lugs	Lugs	Lugs	Lugs	Lugs	Lugs
75	Lugs	Lugs	Lugs	Lugs	Lugs	Lugs	Lugs	Lugs
93	Lugs	Lugs	Lugs	Lugs	Lugs	Lugs	Lugs	Lugs
118	Diagram 1A	Diagram 1A	Diagram 1A	Lugs	Lugs	Lugs	Lugs	Lugs
145	Diagram 1A	Diagram 1A	Diagram 1A	Lugs	Lugs	Lugs	Lugs	Lugs
175	Diagram 1A	Diagram 1A	Diagram 1A	Lugs	Lugs	Lugs	Lugs	Lugs
220	Diagram 2	Diagram 1A	Diagram 1A	Diagram 1A	Diagram 1A	Lugs	Lugs	Lugs
275	Diagram 2	Diagram 2	Diagram 2	Diagram 1A	Diagram 1A	Diagram 1A	Diagram 1A	Lugs
330	Diagram 2	Diagram 2	Diagram 2	Diagram 1A	Diagram 1A	Diagram 1A	Diagram 1A	Diagram 1A
440	Diagram 3	Diagram 3	Diagram 3	Diagram 2	Diagram 1A	Diagram 1A	Diagram 1A	Diagram 1A
550	Diagram 3	Diagram 3	Diagram 3	Diagram 2	Diagram 2	Diagram 2	Diagram 1A	Diagram 1A
660	Diagram 3	Diagram 3	Diagram 3	Diagram 3	Diagram 2	Diagram 2	Diagram 2	Diagram 2

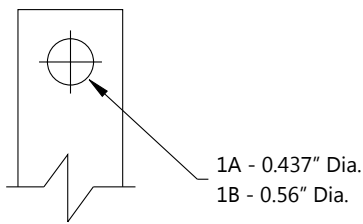


DIAGRAM 1

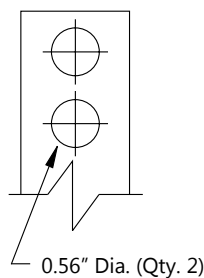


DIAGRAM 2

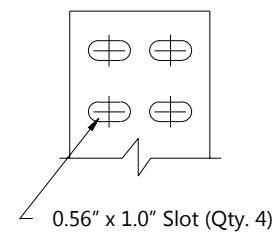


DIAGRAM 3

SECTION 4



FOR TERMINATION DETAILS SEE PAGE 146

FOR ACCESSORIES SEE PAGES 238 TO 241





SECTION 5

MOTOR STARTING AUTOTRANSFORMERS

Copper Wound Two Coil and Three Coil

Description and Applications	148
Copper Standard Specifications	149
Dimensional Drawings	149
Copper, Three Phase, 2 Coil Selection Tables	150
Copper, Three Phase, 3 Coil Selection Tables	151
Optional Thermostats	152

THREE PHASE MOTOR STARTING AUTOTRANSFORMERS

HPS 2A and 3A motor starting autotransformers have been an industry standard for many years. Autotransformers are a significant component of a motor controller. In its simplest form, motor starters start and stop a motor and protect against overvoltage and undervoltage. In most applications, a simple full-voltage magnetic starter places full voltage across the motor's windings on startup and maintains full voltage at the motor during the run mode.

For larger motors, or motors where the load is connected, the effect of motor-starting inrush can stress the electrical system with significantly lower currents in the distribution network. This can cause all manner of disruption to the system with subsequent interruption in the facility. In these cases, reduced-voltage starting must be applied. The addition of a motor starting autotransformer during the startup sequence limits the starting inrush current.

The 2A and 3A product line is designed for Medium Duty service including applications for drive loads such as pumps, compressors, conveyers and fans. Units are manufactured in accordance with NEMA Industrial Controls and Systems, Publication No. ICS-1970.

2A Motor Starting Autotransformer: Three phase, 2 coil, suitable for motor starters with 2 contacts, connected in an open 'V' configuration. Phase voltage across the open 'V' tends to be slightly out of balance when compared to the other two phases.
3A Motor Starting Autotransformer: Three phase, 3 coil, suitable for motor starters with 3 contacts, connected in a three phase 'Wye' configuration. This provides balanced voltages across each phase.

Special Motor Starting Autotransformers. For applications requiring heavy duty service with frequent starts or jogging, high inertia loads such as paper or steel mill drives, medium voltage or other unusual demands, HPS can offer specially designed units to meet your requirements. Please consult our sales offices.

TWO COIL

20 to 1600 HP



THREE COIL

25 to 1600 HP



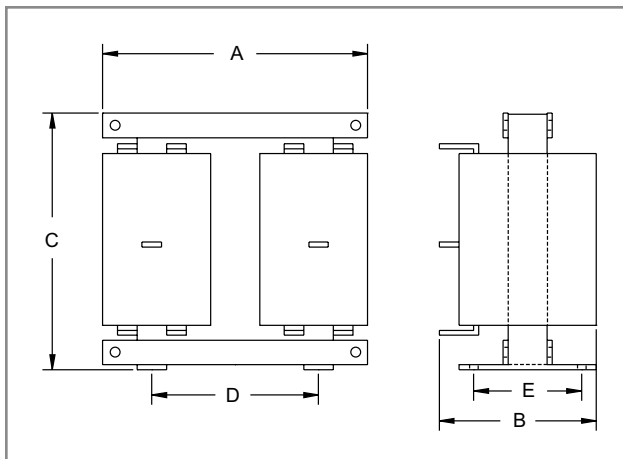
COPPER WOUND STANDARD SPECIFICATIONS



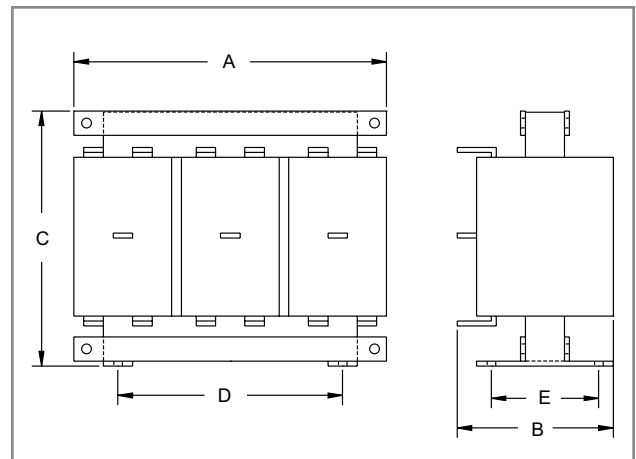
	TWO COIL	THREE COIL
	20 to 1600 HP	25 to 1600 HP
UL Listed	File: E61431	File: E61431
CSA Certified	File: LR3902	File: LR3902
Frequency	60 Hz	60 Hz
Insulation System	220°C	220°C
Standard Design	Three Phase, 2 Coil, using economical open core and coil construction.	Three Phase, 3 Coil, using economical open core and coil construction.
Standard Taps	All units have taps at 50%, 65% and 80%.	All units have taps at 50%, 65%, 80%
Termination	Heavy solid copper lugs with holes, provide reliable termination.	Heavy solid copper lugs with holes, provide reliable termination.
Thermostats	1 or 2 optional thermostats are available. (See page 152 for details.)	1, 2 or 3 optional thermostats are available. (See page 152 for details.)

DIMENSIONAL DRAWINGS

TWO COIL



THREE COIL



COPPER WOUND, THREE PHASE, TWO COIL



Two Coil - 240 Volts

60 Hz

HP	Voltage	Catalog Number	Dimensions			Mtg. Width D	Mtg. Depth E	Approx. Weight (Lbs.)
			A	B	C			
20/25	240	2909B.2	11.50	6.00	10.25	9.00	4.00	45
30/40	240	2909B.4	11.50	6.25	10.75	9.00	4.00	65
50	240	2909B.5	11.50	7.25	11.00	9.00	6.00	75
60/75	240	2909B.75	13.50	8.00	11.50	9.00	6.00	120
100	240	2909B1.	13.50	9.25	11.50	9.00	7.50	150
125/150	240	2909B1.5	14.50	10.00	12.75	9.00	7.50	190
200	240	2909B2.	14.50	10.50	12.75	9.00	7.50	220
250	240	2909B2.5	14.50	11.75	13.25	9.00	9.00	230
300	240	2909B3.	14.50	12.00	14.00	9.00	9.00	260
400	240	2909B4.	17.00	12.50	15.75	9.00	9.00	330
500	240	2909B5.	17.00	13.00	16.25	9.00	9.00	375
600	240	2909B6.	23.00	16.00	18.00	12.00	9.00	550
800	240	2909B8.	25.00	17.00	20.00	12.00	9.00	700
1000	240	2909B10.	26.00	18.00	22.00	12.00	9.00	800
1200	240	2909B12.	29.00	19.00	24.00	12.00	12.00	1050
1600	240	2909B16.	32.00	20.00	26.00	12.00	12.00	1350

Two Coil - 480 Volts

60 Hz

HP	Voltage	Catalog Number	Dimensions			Mtg. Width D	Mtg. Depth E	Approx. Weight (Lbs.)
			A	B	C			
20/25	480	2909C.2	11.50	6.00	10.25	9.00	4.00	45
30/40	480	2909C.4	11.50	6.25	10.75	9.00	4.00	65
50	480	2909C.5	11.50	7.25	11.00	9.00	6.00	75
60/75	480	2909C.75	13.50	8.00	11.50	9.00	6.00	120
100	480	2909C1.	13.50	9.25	11.50	9.00	7.50	150
125/150	480	2909C1.5	14.50	10.00	12.75	9.00	7.50	190
200	480	2909C2.	14.50	10.50	12.75	9.00	7.50	220
250	480	2909C2.5	14.50	11.75	13.25	9.00	9.00	230
300	480	2909C3.	14.50	12.00	14.00	9.00	9.00	260
400	480	2909C4.	17.00	12.50	15.75	9.00	9.00	330
500	480	2909C5.	17.00	13.00	16.25	9.00	9.00	375
600	480	2909C6.	23.00	16.00	18.00	12.00	9.00	550
800	480	2909C8.	25.00	17.00	20.00	12.00	9.00	700
1000	480	2909C10.	26.00	18.00	22.00	12.00	9.00	800
1200	480	2909C12.	29.00	19.00	24.00	12.00	12.00	1050
1600	480	2909C16.	32.00	20.00	26.00	12.00	12.00	1350

Two Coil - 600 Volts

60 Hz

HP	Voltage	Catalog Number	Dimensions			Mtg. Width D	Mtg. Depth E	Approx. Weight (Lbs.)
			A	B	C			
20/25	600	2909D.2	11.50	6.00	10.25	9.00	4.00	45
30/40	600	2909D.4	11.50	6.25	10.75	9.00	4.00	65
50	600	2909D.5	11.50	7.25	11.00	9.00	6.00	75
60/75	600	2909D.75	13.50	8.00	11.50	9.00	6.00	120
100	600	2909D1.	13.50	9.25	11.50	9.00	7.50	150
125/150	600	2909D1.5	14.50	10.00	12.75	9.00	7.50	190
200	600	2909D2.	14.50	10.50	12.75	9.00	7.50	220
250	600	2909D2.5	14.50	11.75	13.25	9.00	9.00	230
300	600	2909D3.	14.50	12.00	14.00	9.00	9.00	260
400	600	2909D4.	17.00	12.50	15.75	9.00	9.00	330
500	600	2909D5.	17.00	13.00	16.25	9.00	9.00	375
600	600	2909D6.	23.00	16.00	18.00	12.00	9.00	550
800	600	2909D8.	25.00	17.00	20.00	12.00	9.00	700
1000	600	2909D10.	26.00	18.00	22.00	12.00	9.00	800
1200	600	2909D12.	29.00	19.00	24.00	12.00	12.00	1050
1600	600	2909D16.	32.00	20.00	26.00	12.00	12.00	1350

SECTION 5



COPPER WOUND, THREE PHASE, THREE COIL



Three Coil - 240 Volts

60 Hz

HP	Voltage	Catalog Number	Dimensions			Mtg. Width D	Mtg. Depth E	Approx. Weight (Lbs.)
			A	B	C			
25/30	240	3009B.3	11.50	6.50	8.75	9.00	4.00	65
40/50	240	3009B.5	11.50	7.75	9.00	9.00	6.00	80
60/75	240	3009B.75	13.50	8.00	10.25	9.00	6.00	125
100	240	3009B1.	13.50	8.75	10.25	9.00	6.00	140
125/150	240	3009B1.5	14.50	10.00	10.75	9.00	7.00	165
200	240	3009B2.	15.00	10.50	10.75	9.00	7.00	210
250	240	3009B2.5	15.75	12.00	11.50	9.00	8.25	245
300	240	3009B3.	15.75	12.25	12.00	9.00	8.25	275
400	240	3009B4.	17.00	12.50	14.00	9.00	8.25	320
500	240	3009B5.	17.00	12.50	14.50	9.00	8.25	345
600	240	3009B6.	21.00	14.00	16.00	12.00	9.00	450
800	240	3009B8.	23.00	15.00	18.00	12.00	9.00	600
1000	240	3009B10.	24.00	16.00	20.00	12.00	9.00	700
1200	240	3009B12.	27.00	17.00	22.00	12.00	12.00	900
1600	240	3009B16.	30.00	18.00	24.00	12.00	12.00	1200

Three Coil - 480 Volts

60 Hz

HP	Voltage	Catalog Number	Dimensions			Mtg. Width D	Mtg. Depth E	Approx. Weight (Lbs.)
			A	B	C			
25/30	480	3009C.3	11.50	6.50	8.75	9.00	4.00	65
40/50	480	3009C.5	11.50	7.75	9.00	9.00	6.00	80
60/75	480	3009C.75	13.50	8.00	10.25	9.00	6.00	125
100	480	3009C1.	13.50	8.75	10.25	9.00	6.00	140
125/150	480	3009C1.5	14.50	10.00	10.75	9.00	7.00	165
200	480	3009C2.	15.00	10.50	10.75	9.00	7.00	210
250	480	3009C2.5	15.75	12.00	11.50	9.00	8.25	245
300	480	3009C3.	15.75	12.25	12.00	9.00	8.25	275
400	480	3009C4.	17.00	12.50	14.00	9.00	8.25	320
500	480	3009C5.	17.00	12.50	14.50	9.00	8.25	345
600	480	3009C6.	21.00	14.00	16.00	12.00	9.00	450
800	480	3009C8.	23.00	15.00	18.00	12.00	9.00	600
1000	480	3009C10.	24.00	16.00	20.00	12.00	9.00	700
1200	480	3009C12.	27.00	17.00	22.00	12.00	12.00	900
1600	480	3009C16.	30.00	18.00	24.00	12.00	12.00	1200

Three Coil - 600 Volts

60 Hz

HP	Voltage	Catalog Number	Dimensions			Mtg. Width D	Mtg. Depth E	Approx. Weight (Lbs.)
			A	B	C			
25/30	600	3009D.3	11.50	6.50	8.75	9.00	4.00	65
40/50	600	3009D.5	11.50	7.75	9.00	9.00	6.00	80
60/75	600	3009D.75	13.50	8.00	10.25	9.00	6.00	125
100	600	3009D1.	13.50	8.75	10.25	9.00	6.00	140
125/150	600	3009D1.5	14.50	10.00	10.75	9.00	7.00	165
200	600	3009D2.	15.00	10.50	10.75	9.00	7.00	210
250	600	3009D2.5	15.75	12.00	11.50	9.00	8.25	245
300	600	3009D3.	15.75	12.25	12.00	9.00	8.25	275
400	600	3009D4.	17.00	12.50	14.00	9.00	8.25	320
500	600	3009D5.	17.00	12.50	14.50	9.00	8.25	345
600	600	3009D6.	21.00	14.00	16.00	12.00	9.00	450
800	600	3009D8.	23.00	15.00	18.00	12.00	9.00	600
1000	600	3009D10.	24.00	16.00	20.00	12.00	9.00	700
1200	600	3009D12.	27.00	17.00	22.00	12.00	12.00	900
1600	600	3009D16.	30.00	18.00	24.00	12.00	12.00	1200



OPTIONAL THERMOSTATS



All HPS Motor Starting Autotransformers are available with optional thermostats. Thermostats are supplied with normally closed contacts and will provide a corresponding signal when coil temperatures exceed safe operating conditions. Each thermostat installed is supplied with standard leads.

Two Coil - Thermostat Options

Part Number	Description	Installation
T1	One Thermostat	Single thermostat installed in the left coil.
T2	Two Thermostats	One thermostat installed in both coils.



Three Coil - Thermostat Options

Part Number	Description	Installation
T1	One Thermostat	Single thermostat installed in the center coil.
T2	Two Thermostats	One thermostat installed in the left hand coil and one installed in the right coil.
T3	Three Thermostats	One thermostat installed in each of the three coils.





SECTION 6

HPS UNIVERSAL™ LOW VOLTAGE LIGHTING TRANSFORMERS

Encapsulated Single Phase Enclosed

Single Phase Applications & Standard Specifications....	154
Group A Selection Table	155
Group B Selection Table	155
Group C Selection Table	155
Enclosure Drawings	228

SINGLE PHASE LOW VOLTAGE TRANSFORMER APPLICATIONS

For a cost effective approach to supply low voltage for recreational, lighting, light duty industrial and pool and spa applications or for a general purpose load including actuating relays, bells, control and low voltage circuits, these type 3R style encapsulated transformers are specifically designed for the following applications;

- General purpose applications used to adjust a supply voltage to match load equipment.
- Supplying machine tool circuits.
- Actuating relays, bells, signal and alarm systems.
- Operating small motors, valves and dampers.
- Industrial lighting and circuit isolation.
- Pool and spa (must be ordered in a type 4X stainless steel enclosure. Only available up to 1000VA as 60 Hz unit.)

HPS single phase encapsulated control transformers, with ratings from 50VA up to 5000VA in three voltage ratings, feature the newest technology and manufacturing processes.



LOW VOLTAGE LIGHTING TRANSFORMER STANDARD SPECIFICATIONS

	15 to 333 kVA	15 to 1500 kVA
UL Listed	File: E50394	File: E50394
CSA Certified	File: LR3902	File: LR3902
Frequency	50/60 Hz	50/60 Hz
Insulation System	130°C (80°C rise)	180°C (115°C rise)
Standard Design	Single phase, core construction made with high quality, high permeability silicon steel laminations. Computer designed coils are accurately wound from high quality copper magnetic wire.	Single phase, core construction made with high quality, high permeability silicon steel laminations. Computer designed coils are accurately wound from high quality copper magnetic wire.
Encapsulation	All units from 50VA to 5kVA are encapsulated with electrical grade silica sand and resin compounds.	All units from 50VA to 5kVA are encapsulated with electrical grade silica sand and resin compounds.
Enclosure Type	Heavy duty encapsulated type 3R optional type 4, 4X (stainless) & 12 available	Heavy duty encapsulated type 3R optional type 4, 4X (stainless) & 12 available
Termination	ANSI 61 Grey, UL50	ANSI 61 Grey, UL50
Conduit Knock-Outs	Side and rear standard on all units (no knock-outs on Stainless Steel enclosures).	Side and rear standard on all units (no knock-outs on Stainless Steel enclosures).
Mounting	Standard wall mounting.	Standard wall mounting.

Single Phase Specification Tables



Group A

Primary Voltage: 120/240

Secondary Voltage: 12/24

50/60 Hertz

VA	Catalog Number	Case Style (Page 228)	Approx. Dimensions (Inches)			Approx. Weight (Lbs.)	Mtg Type W - Wall	Wiring Diagram (Page 243)
			Width	Depth	Height			
50	QC05ERCB	NQ0	3.75	5.25	7.25	6	W	SCD 1
100	QC10ERCB	NQ0	3.75	5.25	7.25	7	W	SCD 1
150	QC15ERCB	NQ0	3.75	5.25	7.25	8	W	SCD 1
200	QC20ERCB	NQ1	4.50	5.75	7.25	11	W	SCD 1
250	QC25ERCB	NQ1	4.50	5.75	7.25	13	W	SCD 1
350	QC35ERCB	NQ1	4.50	5.75	7.25	14	W	SCD 1
500	QC50ERCB	NQ2	5.00	4.75	9.25	15	W	SCD 1
750	QC75ERCB	NQ2	5.00	4.75	9.25	18	W	SCD 1
1000	Q1C0ERCB	NQ3	5.88	5.50	10.50	25	W	SCD 1
1500	Q1C5ERCF	NQ4	7.00	6.50	11.75	36	W	SCD 1
2000	Q002ERCF	NQ4	7.00	6.50	11.75	46	W	SCD 1
3000	Q003ERCF	NQ5	10.00	7.75	17.25	65	W	SCD 1
5000	Q005ERCF	NQ5	10.00	7.75	17.25	105	W	SCD 1

Group B

Primary Voltage: 120/240

Secondary Voltage: 16/32

50/60 Hertz

VA	Catalog Number	Case Style (Page 228)	Approx. Dimensions (Inches)			Approx. Weight (Lbs.)	Mtg Type W - Wall	Wiring Diagram (Page 243)
			Width	Depth	Height			
50	QC05ESCB	NQ0	3.75	5.25	7.25	6	W	SCD 1
100	QC10ESCB	NQ0	3.75	5.25	7.25	7	W	SCD 1
150	QC15ESCB	NQ0	3.75	5.25	7.25	8	W	SCD 1
200	QC20ESCB	NQ1	4.50	5.75	7.25	11	W	SCD 1
250	QC25ESCB	NQ1	4.50	5.75	7.25	13	W	SCD 1
350	QC35ESCB	NQ1	4.50	5.75	7.25	14	W	SCD 1
500	QC50ESCB	NQ2	5.00	4.75	9.25	15	W	SCD 1
750	QC75ESCB	NQ2	5.00	4.75	9.25	18	W	SCD 1
1000	Q1C0ESCB	NQ3	5.88	5.50	10.50	25	W	SCD 1
1500	Q1C5ESCF	NQ4	7.00	6.50	11.75	36	W	SCD 1
2000	Q002ESCF	NQ4	7.00	6.50	11.75	46	W	SCD 1
3000	Q003ESCF	NQ5	10.00	7.75	17.25	65	W	SCD 1
5000	Q005ESCF	NQ5	10.00	7.75	17.25	105	W	SCD 1

Group C

Primary Voltage: 240/480

Secondary Voltage: 24/48

50/60 Hertz

VA	Catalog Number	Case Style (Page 228)	Approx. Dimensions (Inches)			Approx. Weight (Lbs.)	Mtg Type W - Wall	Wiring Diagram (Page 243)
			Width	Depth	Height			
50	QC05DTCB	NQ0	3.75	5.25	7.25	6	W	SCD 1
100	QC10DTCB	NQ0	3.75	5.25	7.25	7	W	SCD 1
150	QC15DTCB	NQ0	3.75	5.25	7.25	8	W	SCD 1
200	QC20DTCB	NQ1	4.50	5.75	7.25	11	W	SCD 1
250	QC25DTCB	NQ1	4.50	5.75	7.25	13	W	SCD 1
350	QC35DTCB	NQ1	4.50	5.75	7.25	14	W	SCD 1
500	QC50DTCB	NQ2	5.00	4.75	9.25	15	W	SCD 1
750	QC75DTCB	NQ2	5.00	4.75	9.25	18	W	SCD 1
1000	Q1C0DTCB	NQ3	5.88	5.50	10.50	25	W	SCD 1
1500	Q1C5DTCF	NQ4	7.00	6.50	11.75	36	W	SCD 1
2000	Q002DTCF	NQ4	7.00	6.50	11.75	46	W	SCD 1
3000	Q003DTCF	NQ5	10.00	7.75	17.25	65	W	SCD 1
5000	Q005DTCF	NQ5	10.00	7.75	17.25	105	W	SCD 1







SECTION 7

ENERGY EFFICIENT GENERAL PURPOSE LOW VOLTAGE DISTRIBUTION TRANSFORMERS

600V Class, Single Phase & Three Phase

Low Voltage Distribution Transformer Energy Efficiency Requirements.....	158
HPS Energy Efficient Distribution Transformer Product Offering.....	160
<u>HPS Sentinel® Series - Energy Efficient General Purpose Transformers</u>	
Standard Single Phase, Aluminum and Copper Specifications.....	161
HPS Sentinel® - Single Phase Selection Tables.....	162
Standard Three Phase, Aluminum and Copper Specifications.....	165
HPS Sentinel® - Three Phase Selection Tables.....	166
<u>HPS Synergy® Series - Energy Efficient K-Factor Transformers</u>	
K-Factor, Harmonics and Non-Linear Loads	173
Standard Three Phase, Aluminum and Copper Specifications.....	175
HPS Synergy® - Three Phase Selection Tables.....	176
<u>HPS Centurion® Series - Energy Efficient Harmonic Mitigating Transformers</u>	
600V Class Harmonic Mitigating Transformer.....	179
Standard Three Phase, Aluminum and Copper Specifications.....	180
HPS Centurion® - Three Phase Selection Tables.....	181
Enclosure Dimensional Drawings	226
Accessories - Enclosure Mounting Kits, Anti-Vibration Pads & Isolators	238
Termination Details	242

Low Voltage Distribution Transformers Energy Efficiency Requirements

In the past decades, greenhouse gas emissions and their effects on our planet have become the focus of many governments, agencies, companies and individuals. Energy generation is a major contributor to greenhouse gas emissions. In addition to widespread efforts to make energy generation more environmentally friendly, lowering energy consumption within most industrial and commercial facilities also is a goal. HPS proudly supports these initiatives and is offering a complex Energy Efficient product basket that meets the current energy efficiency requirements both in US and Canada.

Improving the energy efficiency of new transformers is a primary objective for regulatory bodies in both the U.S. and Canada. As a result the legislation issued by the U.S. Department of Energy - DOE 10 CFR p.431 and the Canadian Energy Efficiency Act – Energy Efficiency Regulations (SOR/94-651) have strict energy efficiency requirements for low-voltage dry-type and medium-voltage dry-type distribution transformers.

As the above legislation is evolving, HPS improves its energy efficient product lines to meet or exceed the prescribed levels of energy efficiency. HPS has a new line of energy efficient distribution transformers to meet the new DOE 10 CFR p.431 that comes in effect on January 1, 2016 also known as DOE 2016. More details about this product offer can be found in the HPS Sentinel Energy Efficient Distribution Transformer Selection Guide (DOESEL15).

The Canadian product offer described in the current catalogue continues to comply with the CSA C802.2 energy efficiency requirements. This product line also meets the DOE energy efficiency levels that were in effect from January 1, 2007 to December 31, 2015 known also as TP-1 energy efficiency levels.

Effective December 1, 2015 our NEMA Premium product lines (SuperSentinel, SuperSynergy and SuperCenturion) are considered obsolete being replaced by the higher efficiency DOE 2016 product line.



DOE 2016 product please see the HPS Sentinel® Energy Efficient Distribution Transformer Selection Guide (DOESEL15)

FOR TERMINATION DETAILS SEE PAGE 242

FOR ACCESSORIES SEE PAGES 238 TO 241

Low Voltage Distribution Transformers

Canada - Energy Efficiency Regulations (CSA C802.2)

The laws in Canada state that all low voltage dry-type distribution transformers (as defined below) manufactured after January 1st, 2005, must meet the minimum energy efficiency guidelines outlined by CSA C802.2 and referenced in the Canadian Energy Efficiency Act - Energy Efficiency Regulations (SOR/94-651). The range of product covered by these standards are:

Primary (high) Voltage		Up to 1.2 kV
Secondary (low) Voltage Line Current		Less than 4000 amps
Dry-Type Rating	Single Phase	15-333 kVA
	Three Phase	15-1000 kVA
Frequency		60 Hz only

For transformers exempted from the Canadian Efficiency Regulations please visit: <http://laws.justice.gc.ca>

The HPS lines of 1.2 kV volt class energy efficient distribution transformers illustrated in this section, meet or exceed the minimum efficiencies required. These efficiencies are evaluated at 35% of the nameplate kVA transformer rating.

The specifications covering 1.2 kV volt class energy efficiency in transformers in Canada are outlined in the CSA Efficiency Standard C802, "Maximum Losses for Distribution, Power and Dry-Type Transformers" as referenced in the Canadian Energy Efficiency Act - Energy Efficiency Regulations (SOR/94-651).

CSA C802.2 Energy Efficiency Levels Dry-Type Distribution Transformers - Low Voltage			
Single Phase		Three Phase	
kVA	Efficiency	kVA	Efficiency
15	97.70	15	97.00
25	98.00	30	97.50
37.5	98.20	45	97.70
50	98.30	75	98.00
75	98.50	112.5	98.20
100	98.60	150	98.30
167	98.70	225	98.50
250	98.80	300	98.60
333	98.90	500	98.70
		750	98.80
		1000	98.90

All efficiency values are at 35% of nameplate rated load



HPS Energy Efficient Distribution Transformer Product Offering:

HPS offers three lines of energy efficient distribution transformers:

Linear Load General Purpose Transformers (pages 161 to 172)

General purpose distribution transformers are rated for 600 volts and below. They are generally used for supplying appliance, lighting, heating, motorized machine and power loads from electrical distribution systems. They are offered in a variety of enclosure types or as core & coil only.

Non-Linear Load K-Factor Transformers (pages 173 to 178)

The use of k-factor distribution transformers has become a popular means of supplying power to non-linear loads such as electronic ballasts, drives, personal computers, telecommunications equipment, broadcasting equipment and other similar power electronics. These non-linear loads generate harmonic currents which can substantially increase transformer losses. Our K-rated transformers have been specifically designed to prevent failure due to overheating.

K-factor is defined as a ratio between the additional losses due to harmonics and the eddy current losses at 60Hz. It is used to specify transformers for non-linear loads. Transformers with a rated k-factor of 4, 13, 20 and other are available.

Harmonic Mitigating Transformers (pages 179 to 188)

Harmonic Mitigating transformers are superior to the above transformers in that they reduce voltage distortion (flat-topping) and power losses due to current harmonics created by single-phase, non-linear loads such as computer equipment. Secondary windings are arranged to cancel zero sequence fluxes and eliminate primary winding circulating currents. They treat zero sequence harmonics (3rd, 9th and 15th) within the secondary windings and 5th and 7th harmonics upstream with appropriate phase shifting.

Our dual output, phase shifting Harmonic Mitigating Transformers provide extremely low output voltage distortion and input current distortion even under severe non-linear load conditions (data centers, internet service providers, telecom sites, call centers, broadcasting studios, etc.). Combining zero sequence flux cancellation with phase shifting treats 3rd, 5th, 7th, 9th, 15th, 17th and 19th harmonics within its secondary windings.



HPS Sentinel® 600 VOLT CLASS ENERGY EFFICIENT GENERAL PURPOSE DISTRIBUTION TRANSFORMERS

ALUMINUM & COPPER, SINGLE PHASE STANDARD SPECIFICATIONS

15 to 37.5 kVA

50 to 167 kVA



	15 to 37.5 kVA	50 to 167 kVA
Applications	Energy efficient general purpose transformers are designed for linear loads and are most frequently used for applications such as commercial buildings to supply a variety of general loads.	
Efficiency	Meets C802.2 efficiencies at 35% of rated load. Efficiencies are calculated under a linear load profile.	
UL Listed	File: E112313	File: E112313
CSA Certified	File: LR3902	File: LR3902
Frequency	60 Hz	60 Hz
Insulation System	220°C (150°C rise) (optional 115°C and 80°C rise available)	220°C (150°C rise) (optional 115°C and 80°C rise available)
Enclosure Type	Heavy duty ventilated type 3R Optional type 4, 4X (stainless steel) and 12.	Heavy duty ventilated type 3R Optional type 4, 4X (stainless steel) and 12.
Enclosure Finish	ANSI 61 Grey, UL50	ANSI 61 Grey, UL50
Standard Primary Taps	Refer to wiring diagrams for details.	Refer to wiring diagrams for details.
Termination	Front accessible separate high and low voltage terminals; connectors suitable for aluminum and copper are provided for easy cable installation.	Front accessible separate high and low voltage terminals; connectors suitable for aluminum and copper are provided for easy cable installation.
Conduit Knock-Outs	Standard on all units (no knock-outs on Stainless Steel enclosures).	Standard on 50 kVA, 75 kVA & 100 kVA units (no knock-outs on Stainless Steel enclosures).
Impedance	Typically 2.5% to 6.5%	Typically 2.5% to 6.5%
Mounting	Floor or wall/ceiling mounting available. Refer to selection tables for details.	Floor or wall/ceiling mounting available. Refer to selection tables for details.
Seismic	Seismically certified in accordance with IBC 2009; Section 1613 Earthquake Loads, for $S_{DS} \leq 2.00g$, $z/h = 1.0$, and $I_p = 1.5$	Seismically certified in accordance with IBC 2009; Section 1613 Earthquake Loads, for $S_{DS} \leq 2.00g$, $z/h = 1.0$, and $I_p = 1.5$
Sound level	Meets NEMA ST-20 standards. (Optional low noise units available)	Meets NEMA ST-20 standards. (Optional low noise units available)

Other voltages and kVA sizes not listed in this section are available upon request for both aluminum and copper wound units. Standard features as listed above may differ. Please contact customer service for details, price and availability.

DOE 2016 product please see the HPS Sentinel® Energy Efficient Distribution Transformer Selection Guide (DOESEL15)

FOR TERMINATION DETAILS SEE PAGE 242

FOR ACCESSORIES SEE PAGES 238 TO 241





ALUMINUM WOUND, SINGLE PHASE

208 Primary Volts

120/240 Secondary Volts

60 Hz

kVA	Catalog Number	Case Style (Pages 226 - 234)	Approx. Dimensions (Inches)			Approx. Weight (Lbs.)	Mtg Type W - Wall F - Floor	Wiring Diagram (Pages 243 - 258)
			Width	Depth	Height			
15	NMF015BE	NH5	19.40	20.20	21.50	170	F or W *	SCD 32
25	NMF025BE	NH6	23.90	25.00	28.75	220	F or W *	SCD 31
37.5	NMF037BE	NH6	23.90	25.00	28.75	260	F or W *	SCD 31
50	NMF050BE	NH3	26.00	25.00	38.00	375	F or W *	SCD 2
75	NMF075BE	NH4	32.00	29.50	41.00	500	F	SCD 39
100	NMF100BE	NH4	32.00	29.50	41.00	650	F	SCD 39
150	NMF150BE	NJ4	32.00	32.50	50.00	850	F	SCD 39
167	NMF167BE	NJ4	32.00	32.50	50.00	950	F	SCD 39

For shielded units, please add the suffix "S" to the above part numbers.

*WALL MOUNTING KIT AND/OR DRIP PLATE KIT REQUIRED. REFER TO PAGES 238 TO 239 FOR DETAILS.

240 X 480 Primary Volts

120/240 Secondary Volts

60 Hz

kVA	Catalog Number	Case Style (Pages 226 - 234)	Approx. Dimensions (Inches)			Approx. Weight (Lbs.)	Mtg Type W - Wall F - Floor	Wiring Diagram (Pages 243 - 258)
			Width	Depth	Height			
15	NMF015LE	NH5	19.40	20.20	21.50	170	F or W *	SCD 34
25	NMF025LE	NH6	23.90	25.00	28.75	220	F or W *	SCD 17
37.5	NMF037LE	NH6	23.90	25.00	28.75	260	F or W *	SCD 17
50	NMF050LE	NH3	26.00	25.00	38.00	370	F or W *	SCD 17
75	NMF075LE	NH3	26.00	25.00	38.00	500	F or W *	SCD 17
100	NMF100LE	NH4	32.00	29.50	41.00	650	F	SCD 17
150	NMF150LE	NJ4	32.00	32.50	50.00	850	F	SCD 17
167	NMF167LE	NJ4	32.00	32.50	50.00	900	F	SCD 17

For shielded units, please add the suffix "S" to the above part numbers.

*WALL MOUNTING KIT AND/OR DRIP PLATE KIT REQUIRED. REFER TO PAGES 238 TO 239 FOR DETAILS.

277 Primary Volts

120/240 Secondary Volts

60 Hz

kVA	Catalog Number	Case Style (Pages 226 - 234)	Approx. Dimensions (Inches)			Approx. Weight (Lbs.)	Mtg Type W - Wall F - Floor	Wiring Diagram (Pages 243 - 258)
			Width	Depth	Height			
15	NMF015FE	NH5	19.40	20.20	21.50	170	F or W *	SCD 32
25	NMF025FE	NH6	23.90	25.00	28.75	260	F or W *	SCD 31
37.5	NMF037FE	NH6	23.90	25.00	28.75	400	F or W *	SCD 31
50	NMF050FE	NH3	26.00	25.00	38.00	450	F or W *	SCD 31
75	NMF075FE	NH3	26.00	25.00	38.00	650	F or W *	SCD 31
100	NMF100FE	NH4	32.00	29.50	41.00	700	F	SCD 39
150	NMF150FE	NJ4	32.00	32.50	50.00	830	F	SCD 39
167	NMF167FE	NJ4	32.00	32.50	50.00	880	F	SCD 39

For shielded units, please add the suffix "S" to the above part numbers.

*WALL MOUNTING KIT AND/OR DRIP PLATE KIT REQUIRED. REFER TO PAGES 238 TO 239 FOR DETAILS.

416 Primary Volts

120/240 Secondary Volts

60 Hz

kVA	Catalog Number	Case Style (Pages 226 - 234)	Approx. Dimensions (Inches)			Approx. Weight (Lbs.)	Mtg Type W - Wall F - Floor	Wiring Diagram (Pages 243 - 258)
			Width	Depth	Height			
15	NMF015HE	NH5	19.40	20.20	21.50	220	F or W *	SCD 32
25	NMF025HE	NH6	23.90	25.00	28.75	220	F or W *	SCD 31
37.5	NMF037HE	NH6	23.90	25.00	28.75	260	F or W *	SCD 31
50	NMF050HE	NH3	26.00	25.00	38.00	400	F or W *	SCD 31
75	NMF075HE	NH3	26.00	25.00	38.00	480	F or W *	SCD 31
100	NMF100HE	NH4	32.00	29.50	41.00	650	F	SCD 39
150	NMF150HE	NJ4	32.00	32.50	50.00	850	F	SCD 39
167	NMF167HE	NJ4	32.00	32.50	50.00	900	F	SCD 39

For shielded units, please add the suffix "S" to the above part numbers.

*WALL MOUNTING KIT AND/OR DRIP PLATE KIT REQUIRED. REFER TO PAGES 238 TO 239 FOR DETAILS.

Note: For units smaller than 15kVA, please refer to the single phase encapsulated units in Section 8. Products listed on this page are available as 'CE Mark' products. Please consult our sales office.

DOE 2016 product please see the HPS Sentinel® Energy Efficient Distribution Transformer Selection Guide (DOESEL15)

FOR TERMINATION DETAILS SEE PAGE 242

FOR ACCESSORIES SEE PAGES 238 TO 241





ALUMINUM WOUND, SINGLE PHASE

600 Primary Volts

120/240 Secondary Volts

60 Hz

kVA	Catalog Number	Case Style (Pages 226 - 234)	Approx. Dimensions (Inches)			Approx. Weight (Lbs.)	Mtg Type W - Wall F - Floor	Wiring Diagram (Pages 243 - 258)
			Width	Depth	Height			
15	NMF015PE	NH5	19.40	20.20	21.50	220	F or W *	SCD 32
25	NMF025PE	NH6	23.90	25.00	28.75	220	F or W *	SCD 31
37.5	NMF037PE	NH6	23.90	25.00	28.75	260	F or W *	SCD 31
50	NMF050PE	NH3	26.00	25.00	38.00	400	F or W *	SCD 31
75	NMF075PE	NH3	26.00	25.00	38.00	480	F or W *	SCD 31
100	NMF100PE	NH4	32.00	29.50	41.00	650	F	SCD 39
150	NMF150PE	NJ4	32.00	32.50	50.00	850	F	SCD 39
167	NMF167PE	NJ4	32.00	32.50	50.00	900	F	SCD 39

For shielded units, please add the suffix "S" to the above part numbers.

*WALL MOUNTING KIT AND/OR DRIP PLATE KIT REQUIRED.
REFER TO PAGES 238 TO 239 FOR DETAILS.

SINGLE PHASE, EXPORT MODEL

190/200/208/220 X 380/400/416/440 Primary Volts

120/240 Secondary Volts

50/60 Hz**

kVA	Catalog Number	Case Style (Pages 226 - 234)	Approx. Dimensions (Inches)			Approx. Weight (Lbs.)	Mtg Type W - Wall F - Floor	Wiring Diagram (Pages 243 - 258)
			Width	Depth	Height			
15	NMF015XE	NH6	23.90	25.00	28.75	190	F or W *	SCD 30
25	NMF025XE	NH6	23.90	25.00	28.75	240	F or W *	SCD 30
37.5	NMF037XE	NH6	23.90	25.00	28.75	300	F or W *	SCD 30
50	NMF050XE	NH3	26.00	25.00	38.00	390	F or W *	SCD 30
75	NMF075XE	NH3	26.00	25.00	38.00	540	F or W *	SCD 30
100	NMF100XE	NH4	32.00	29.50	41.00	700	F	SCD 30
150	NMF150XE	CONSULT FACTORY					F	SCD 30
167	NMF167XE	CONSULT FACTORY					F	SCD 30

For shielded units, please add the suffix "S" to the above part numbers.

**Note: Meets DOE 10 CFR Part 431 and C802.2 at 60 Hz.

*WALL MOUNTING KIT AND/OR DRIP PLATE KIT REQUIRED.
REFER TO PAGES 238 TO 239 FOR DETAILS.

COPPER WOUND, SINGLE PHASE

208 Primary Volts

120/240 Secondary Volts

60 Hz

kVA	Catalog Number	Case Style (Pages 226 - 234)	Approx. Dimensions (Inches)			Approx. Weight (Lbs.)	Mtg Type W - Wall F - Floor	Wiring Diagram (Pages 243 - 258)
			Width	Depth	Height			
15	NMF015BEC	NH5	19.40	20.20	21.50	180	F or W *	SCD 32
25	NMF025BEC	NH6	23.90	25.00	28.75	240	F or W *	SCD 31
37.5	NMF037BEC	NH6	23.90	25.00	28.75	300	F or W *	SCD 31
50	NMF050BEC	NH3	26.00	25.00	38.00	375	F or W *	SCD 2
75	NMF075BEC	NH3	26.00	25.00	38.00	525	F or W *	SCD 31
100	NMF100BEC	NH4	32.00	29.50	41.00	650	F	SCD 39
150	NMF150BEC	NJ4	32.00	32.50	50.00	900	F	SCD 39
167	NMF167BEC	NJ4	32.00	32.50	50.00	1000	F	SCD 39

For shielded units, please replace the suffix "C" with a 'K' on the above part numbers.

*WALL MOUNTING KIT AND/OR DRIP PLATE KIT REQUIRED.
REFER TO PAGES 238 TO 239 FOR DETAILS.

240 X 480 Primary Volts

120/240 Secondary Volts

60 Hz

kVA	Catalog Number	Case Style (Pages 226 - 234)	Approx. Dimensions (Inches)			Approx. Weight (Lbs.)	Mtg Type W - Wall F - Floor	Wiring Diagram (Pages 243 - 258)
			Width	Depth	Height			
15	NMF015LEC	NH5	19.40	20.20	21.50	180	F or W *	SCD 34
25	NMF025LEC	NH6	23.90	25.00	28.75	240	F or W *	SCD 17
37.5	NMF037LEC	NH6	23.90	25.00	28.75	300	F or W *	SCD 17
50	NMF050LEC	NH3	26.00	25.00	38.00	375	F or W *	SCD 17
75	NMF075LEC	NH3	26.00	25.00	38.00	525	F or W *	SCD 17
100	NMF100LEC	NH4	32.00	29.50	41.00	650	F	SCD 17
150	NMF150LEC	NJ4	32.00	32.50	50.00	900	F	SCD 17
167	NMF167LEC	NJ4	32.00	32.50	50.00	1000	F	SCD 17

For shielded units, please replace the suffix "C" with a 'K' on the above part numbers.

*WALL MOUNTING KIT AND/OR DRIP PLATE KIT REQUIRED.
REFER TO PAGES 238 TO 239 FOR DETAILS.

Note: For units smaller than 15kVA, please refer to the single phase encapsulated units in Section 8.

Products listed on this page are available as 'CE Mark' products. Please consult our sales office.

DOE 2016 product please see the HPS Sentinel® Energy Efficient Distribution Transformer Selection Guide (DOESEL15)

FOR TERMINATION DETAILS SEE PAGE 242

FOR ACCESSORIES SEE PAGES 238 TO 241





COPPER WOUND, SINGLE PHASE

277 Primary Volts

120/240 Secondary Volts

60 Hz

kVA	Catalog Number	Case Style (Pages 226 - 234)	Approx. Dimensions (Inches)			Approx. Weight (Lbs.)	Mtg Type W - Wall F - Floor	Wiring Diagram (Pages 243 - 258)
			Width	Depth	Height			
15	NMF015FEC	NH5	19.40	20.20	21.50	180	F or W *	SCD 32
25	NMF025FEC	NH6	23.90	25.00	28.75	240	F or W *	SCD 31
37.5	NMF037FEC	NH6	23.90	25.00	28.75	300	F or W *	SCD 31
50	NMF050FEC	NH3	26.00	25.00	38.00	375	F or W *	SCD 31
75	NMF075FEC	NH3	26.00	25.00	38.00	525	F or W *	SCD 31
100	NMF100FEC	NH4	32.00	29.50	41.00	650	F	SCD 39
150	NMF150FEC	NJ4	32.00	32.50	50.00	900	F	SCD 39
167	NMF167FEC	NJ4	32.00	32.50	50.00	1000	F	SCD 39

For shielded units, please replace the suffix "C" with a 'K' on the above part numbers.

*WALL MOUNTING KIT AND/OR DRIP PLATE KIT REQUIRED. REFER TO PAGES 238 TO 239 FOR DETAILS.

416 Primary Volts

120/240 Secondary Volts

60 Hz

kVA	Catalog Number	Case Style (Pages 226 - 234)	Approx. Dimensions (Inches)			Approx. Weight (Lbs.)	Mtg Type W - Wall F - Floor	Wiring Diagram (Pages 243 - 258)
			Width	Depth	Height			
15	NMF015HEC	NH5	19.40	20.20	21.50	180	F or W *	SCD 32
25	NMF025HEC	NH6	23.90	25.00	28.75	240	F or W *	SCD 31
37.5	NMF037HEC	NH6	23.90	25.00	28.75	300	F or W *	SCD 31
50	NMF050HEC	NH3	26.00	25.00	38.00	375	F or W *	SCD 31
75	NMF075HEC	NH3	26.00	25.00	38.00	525	F or W *	SCD 31
100	NMF100HEC	NH4	32.00	29.50	41.00	650	F	SCD 39
150	NMF150HEC	NJ4	32.00	32.50	50.00	900	F	SCD 39
167	NMF167HEC	NJ4	32.00	32.50	50.00	1000	F	SCD 39

For shielded units, please replace the suffix "C" with a 'K' on the above part numbers.

*WALL MOUNTING KIT AND/OR DRIP PLATE KIT REQUIRED. REFER TO PAGES 238 TO 239 FOR DETAILS.

600 Primary Volts

120/240 Secondary Volts

60 Hz

kVA	Catalog Number	Case Style (Pages 226 - 234)	Approx. Dimensions (Inches)			Approx. Weight (Lbs.)	Mtg Type W - Wall F - Floor	Wiring Diagram (Pages 243 - 258)
			Width	Depth	Height			
15	NMF015PEC	NH5	19.40	20.20	21.50	180	F or W *	SCD 32
25	NMF025PEC	NH6	23.90	25.00	28.75	240	F or W *	SCD 31
37.5	NMF037PEC	NH6	23.90	25.00	28.75	300	F or W *	SCD 31
50	NMF050PEC	NH3	26.00	25.00	38.00	375	F or W *	SCD 31
75	NMF075PEC	NH3	26.00	25.00	38.00	525	F or W *	SCD 31
100	NMF100PEC	NH4	32.00	29.50	41.00	650	F	SCD 39
150	NMF150PEC	NJ4	32.00	32.50	50.00	900	F	SCD 39
167	NMF167PEC	NJ4	32.00	32.50	50.00	1000	F	SCD 39

For shielded units, please replace the suffix "C" with a 'K' on the above part numbers.

*WALL MOUNTING KIT AND/OR DRIP PLATE KIT REQUIRED. REFER TO PAGES 238 TO 239 FOR DETAILS.

SINGLE PHASE, EXPORT MODEL

190/200/208/220 X 380/400/416/440 Primary Volts

120/240 Secondary Volts

50/60 Hz**

kVA	Catalog Number	Case Style (Pages 226 - 234)	Approx. Dimensions (Inches)			Approx. Weight (Lbs.)	Mtg Type W - Wall F - Floor	Wiring Diagram (Pages 243 - 258)
			Width	Depth	Height			
15	NMF015XEC	NH6	23.90	25.00	28.75	190	F or W *	SCD 30
25	NMF025XEC	NH6	23.90	25.00	28.75	240	F or W *	SCD 30
37.5	NMF037XEC	NH6	23.90	25.00	28.75	300	F or W *	SCD 30
50	NMF050XEC	NH3	26.00	25.00	38.00	390	F or W *	SCD 30
75	NMF075XEC	NH3	26.00	25.00	38.00	540	F or W *	SCD 30
100	NMF100XEC	NH4	32.00	29.50	41.00	700	F	SCD 30
150	NMF150XEC		CONSULT FACTORY				F	SCD 30
167	NMF167XEC		CONSULT FACTORY				F	SCD 30

For shielded units, please add the suffix "S" to the above part numbers.

**Note: Meets DOE 10 CFR Part 431 and C802.2 at 60 Hz.

*WALL MOUNTING KIT AND/OR DRIP PLATE KIT REQUIRED. REFER TO PAGES 238 TO 239 FOR DETAILS.

Note: For units smaller than 15kVA, please refer to the single phase encapsulated units in Section 8. Products listed on this page are available as 'CE Mark' products. Please consult our sales office.

DOE 2016 product please see the HPS Sentinel® Energy Efficient Distribution Transformer Selection Guide (DOESEL15)

FOR TERMINATION DETAILS SEE PAGE 242

FOR ACCESSORIES SEE PAGES 238 TO 241



HPS Sentinel® 600 VOLT CLASS ENERGY EFFICIENT GENERAL PURPOSE DISTRIBUTION TRANSFORMER

ALUMINUM & COPPER, THREE PHASE STANDARD SPECIFICATIONS

15 to 45 kVA

75 to 750 kVA



	15 to 45 kVA	75 to 750 kVA
Application	Energy efficient general purpose transformers are designed for linear loads and are most frequently used for applications such as commercial buildings to supply a variety of general loads.	
Efficiency	Meets C802.2 efficiencies at 35% of rated load. Efficiencies are calculated under a linear load profile.	
UL Listed	File: E112313	File: E112313
CSA Certified	File: LR3902	File: LR3902
Frequency	60 Hz	60 Hz
Insulation System	220°C (150°C rise) 200°C (130°C rise) on 15 & 30kVA copper (optional 115°C and 80°C rise available)	220°C (150°C rise) (optional 115°C and 80°C rise available)
Enclosure Type	Heavy duty ventilated type 3R Optional type 4, 4X (stainless steel) and 12.	Heavy duty ventilated type 3R Optional type 4, 4X (stainless steel) and 12.
Enclosure Finish	ANSI 61 Grey, UL50	ANSI 61 Grey, UL50
Neutral	Neutral terminal for field connection (on applicable units).	Neutral terminal for field connection (on applicable units).
Standard Primary Taps	Refer to wiring diagrams for details.	Refer to wiring diagrams for details.
Termination	Front accessible separate high and low voltage terminals; connectors suitable for aluminum and copper are provided for easy cable installation.	Front accessible separate high and low voltage terminals; connectors suitable for aluminum and copper are provided for easy cable installation.
Conduit Knock-Outs	Standard on all units (no knock-outs on Stainless Steel enclosures).	Standard on 75 kVA & 150 kVA units (no knock-outs on Stainless Steel enclosures).
Impedance	Typically 2.5% to 6.5%	Typically 2.5% to 6.5%
Mounting	Floor or wall/ceiling mounting available. Refer to selection tables for details.	Floor or wall/ceiling mounting available. Refer to selection tables for details.
Seismic	Seismically certified in accordance with IBC 2009; Section 1613 Earthquake Loads, for $S_{DS} \leq 2.00g$, $z/h = 1.0$, and $I_p = 1.5$	Seismically certified in accordance with IBC 2009; Section 1613 Earthquake Loads, for $S_{DS} \leq 2.00g$, $z/h = 1.0$, and $I_p = 1.5$
Sound level	Meets NEMA ST-20 standards. (Optional low noise units available)	Meets NEMA ST-20 standards. (Optional low noise units available)

Other voltages and kVA sizes not listed in this section are available upon request for both aluminum and copper wound units. Features as listed above may differ. Please contact customer service for details, price and availability.

DOE 2016 product please see the HPS Sentinel® Energy Efficient Distribution Transformer Selection Guide (DOESEL15)

FOR TERMINATION DETAILS SEE PAGE 242

FOR ACCESSORIES SEE PAGES 238 TO 241





ALUMINUM WOUND, THREE PHASE

208 Delta Primary Volts

208Y/120 Secondary Volts

60 Hz

kVA	Catalog Number	Case Style (Pages 226 - 234)	Approx. Dimensions (Inches)			Approx. Weight (Lbs.)	Mtg Type W - Wall F - Floor	Wiring Diagram (Pages 243 - 258)
			Width	Depth	Height			
15	NMK015BB	NH5	19.40	20.20	21.50	200	F or W *	SCD 7
30	NMK030BB	NH6	23.90	25.00	28.75	280	F or W *	SCD 9
45	NMK045BB	NH6	23.90	25.00	28.75	375	F or W *	SCD 9
75	NMK075BB	NH3	26.00	25.00	38.00	540	F or W *	SCD 9
112.5	NMK112BB	NH3	26.00	25.00	38.00	775	F	SCD 9
150	NMK150BB	NH4	32.00	29.50	41.00	850	F	SCD 9
225	NMK225BB	NH4	32.00	29.50	41.00	1400	F	SCD 9
300	NMK300BB	NJ1	39.50	34.00	51.50	1700	F	SCD 9
500	NMK500BB	NJ2	48.50	38.40	59.00	2700	F	SCD 25
750	NMK750BB	NJ3	51.50	43.40	66.00	3250	F	SCD 25

For shielded units, please add the suffix "S" to the above part numbers.

*WALL MOUNTING KIT AND/OR DRIP PLATE KIT REQUIRED. REFER TO PAGES 238 TO 239 FOR DETAILS.

208 Delta Primary Volts

480Y/277 Secondary Volts

60 Hz

kVA	Catalog Number	Case Style (Pages 226 - 234)	Approx. Dimensions (Inches)			Approx. Weight (Lbs.)	Mtg Type W - Wall F - Floor	Wiring Diagram (Pages 243 - 258)
			Width	Depth	Height			
15	NMK015BK	NH5	19.40	20.20	21.50	200	F or W *	SCD 40
30	NMK030BK	NH6	23.90	25.00	28.75	280	F or W *	SCD 26
45	NMK045BK	NH6	23.90	25.00	28.75	375	F or W *	SCD 26
75	NMK075BK	NH3	26.00	25.00	38.00	540	F or W *	SCD 26
112.5	NMK112BK	NH3	26.00	25.00	38.00	775	F	SCD 26
150	NMK150BK	NH4	32.00	29.50	41.00	850	F	SCD 26
225	NMK225BK	NH4	32.00	29.50	41.00	1400	F	SCD 26
300	NMK300BK	NJ1	39.50	34.00	51.50	1850	F	SCD 26
500	NMK500BK	NJ2	48.50	38.40	59.00	2700	F	SCD 23
750	NMK750BK	NJ3	51.50	43.40	66.00	3250	F	SCD 40

For shielded units, please add the suffix "S" to the above part numbers.

*WALL MOUNTING KIT AND/OR DRIP PLATE KIT REQUIRED. REFER TO PAGES 238 TO 239 FOR DETAILS.

240 Delta Primary Volts

208Y/120 Secondary Volts

60 Hz

kVA	Catalog Number	Case Style (Pages 226 - 234)	Approx. Dimensions (Inches)			Approx. Weight (Lbs.)	Mtg Type W - Wall F - Floor	Wiring Diagram (Pages 243 - 258)
			Width	Depth	Height			
15	NMK015DB	NH5	19.40	20.20	21.50	200	F or W *	SCD 25
30	NMK030DB	NH6	23.90	25.00	28.75	280	F or W *	SCD 9
45	NMK045DB	NH6	23.90	25.00	28.75	375	F or W *	SCD 9
75	NMK075DB	NH3	26.00	25.00	38.00	540	F or W *	SCD 9
112.5	NMK112DB	NH3	26.00	25.00	38.00	775	F	SCD 9
150	NMK150DB	NH4	32.00	29.50	41.00	850	F	SCD 9
225	NMK225DB	NH4	32.00	29.50	41.00	1400	F	SCD 9
300	NMK300DB	NJ1	39.50	34.00	51.50	1700	F	SCD 9
500	NMK500DB	NJ2	48.50	38.40	59.00	2700	F	NO TAPS
750	NMK750DB	NJ3	51.50	43.40	66.00	3250	F	NO TAPS

For shielded units, please add the suffix "S" to the above part numbers.

*WALL MOUNTING KIT AND/OR DRIP PLATE KIT REQUIRED. REFER TO PAGES 238 TO 239 FOR DETAILS.

Note: For units smaller than 15kVA, please refer to the three phase encapsulated units in Section 8. Products listed on this page are available as 'CE Mark' products. Please consult our sales office.

DOE 2016 product please see the HPS Sentinel® Energy Efficient Distribution Transformer Selection Guide (DOESEL15)

FOR TERMINATION DETAILS SEE PAGE 242

FOR ACCESSORIES SEE PAGES 238 TO 241



ALUMINUM WOUND, THREE PHASE



240 Delta Primary Volts

480Y/277 Secondary Volts

60 Hz

kVA	Catalog Number	Case Style (Pages 226 - 234)	Approx. Dimensions (Inches)			Approx. Weight (Lbs.)	Mtg Type W - Wall F - Floor	Wiring Diagram (Pages 243 - 258)
			Width	Depth	Height			
15	NMK015DK	NH5	19.40	20.20	21.50	200	F or W *	SCD 40
30	NMK030DK	NH6	23.90	25.00	28.75	280	F or W *	SCD 26
45	NMK045DK	NH6	23.90	25.00	28.75	375	F or W *	SCD 26
75	NMK075DK	NH3	26.00	25.00	38.00	540	F or W *	SCD 26
112.5	NMK112DK	NH3	26.00	25.00	38.00	775	F	SCD 26
150	NMK150DK	NH4	32.00	29.50	41.00	850	F	SCD 26
225	NMK225DK	NH4	32.00	29.50	41.00	1400	F	SCD 26
300	NMK300DK	NJ1	39.50	34.00	51.50	1700	F	SCD 26
500	NMK500DK	NJ2	48.50	38.40	59.00	2700	F	NO TAPS
750	NMK750DK	NJ3	51.50	43.40	66.00	3250	F	NO TAPS

For shielded units, please add the suffix "S" to the above part numbers.

*WALL MOUNTING KIT AND/OR DRIP PLATE KIT REQUIRED. REFER TO PAGES 238 TO 239 FOR DETAILS.

480 Delta Primary Volts

208Y/120 Secondary Volts

60 Hz

kVA	Catalog Number	Case Style (Pages 226 - 234)	Approx. Dimensions (Inches)			Approx. Weight (Lbs.)	Mtg Type W - Wall F - Floor	Wiring Diagram (Pages 243 - 258)
			Width	Depth	Height			
15	NMK015KB	NH5	19.40	20.20	21.50	200	F or W *	SCD 7
30	NMK030KB	NH6	23.90	25.00	28.75	280	F or W *	SCD 19
45	NMK045KB	NH6	23.90	25.00	28.75	375	F or W *	SCD 19
75	NMK075KB	NH3	26.00	25.00	38.00	540	F or W *	SCD 19
112.5	NMK112KB	NH3	26.00	25.00	38.00	775	F	SCD 19
150	NMK150KB	NH4	32.00	29.50	41.00	850	F	SCD 19
225	NMK225KB	NH4	32.00	29.50	41.00	1400	F	SCD 19
300	NMK300KB	NJ1	39.50	34.00	51.50	1400	F	SCD 19
500	NMK500KB	NJ2	48.50	38.40	59.00	2150	F	SCD 20
750	NMK750KB	NJ3	51.50	43.40	66.00	3200	F	SCD 20

For shielded units, please add the suffix "S" to the above part numbers.

*WALL MOUNTING KIT AND/OR DRIP PLATE KIT REQUIRED. REFER TO PAGES 238 TO 239 FOR DETAILS.

480 Delta Primary Volts

240 Delta/120 CT Secondary Volts

60 Hz

kVA	Catalog Number	Case Style (Pages 226 - 234)	Approx. Dimensions (Inches)			Approx. Weight (Lbs.)	Mtg Type W - Wall F - Floor	Wiring Diagram (Pages 243 - 258)
			Width	Depth	Height			
15	NMK015KD	NH5	19.40	20.20	21.50	200	F or W *	SCD 13
30	NMK030KD	NH6	23.90	25.00	28.75	280	F or W *	SCD 21
45	NMK045KD	NH6	23.90	25.00	28.75	375	F or W *	SCD 21
75	NMK075KD	NH3	26.00	25.00	38.00	540	F or W *	SCD 21
112.5	NMK112KD	NH3	26.00	25.00	38.00	775	F	SCD 21
150	NMK150KD	NH4	32.00	29.50	41.00	850	F	SCD 21
225	NMK225KD	NH4	32.00	29.50	41.00	1400	F	SCD 21
300	NMK300KD	NJ1	39.50	34.00	51.50	1700	F	SCD 21
500	NMK500KD	NJ2	48.50	38.40	59.00	2700	F	SCD 22
750	NMK750KD	NJ3	51.50	43.40	66.00	3250	F	SCD 22

For shielded units, please add the suffix "S" to the above part numbers.

*WALL MOUNTING KIT AND/OR DRIP PLATE KIT REQUIRED. REFER TO PAGES 238 TO 239 FOR DETAILS.

Note: For units smaller than 15kVA, please refer to the three phase encapsulated units in Section 8. Products listed on this page are available as 'CE Mark' products. Please consult our sales office.

DOE 2016 product please see the HPS Sentinel® Energy Efficient Distribution Transformer Selection Guide (DOESEL15)

FOR TERMINATION DETAILS SEE PAGE 242

FOR ACCESSORIES SEE PAGES 238 TO 241



ALUMINUM WOUND, THREE PHASE



480 Delta Primary Volts

380Y/220, 400Y/231, 416Y/240, 430Y/248 Secondary Volts

60 Hz

kVA	Catalog Number	Case Style (Pages 226 - 234)	Approx. Dimensions (Inches)			Approx. Weight (Lbs.)	Mtg Type W - Wall F - Floor	Wiring Diagram (Pages 243 - 258)
			Width	Depth	Height			
15	NMK015KY	NH6	23.9	25	28.75	170	F or W*	SCD 52
30	NMK030KY	NH6	23.9	25	28.75	290	F or W*	SCD 52
45	NMK045KY	NH6	23.9	25	28.75	435	F or W*	SCD 52
75	NMK075KY	NH3	26	25	38	550	F	SCD 52
112.5	NMK112KY	NH3	26	25	38	755	F	SCD 52

For shielded units, please add the suffix "S" to the above part numbers.

*WALL MOUNTING KIT AND/OR DRIP PLATE KIT REQUIRED. REFER TO PAGES 238 TO 239 FOR DETAILS.

480 Delta Primary Volts

480Y/277 Secondary Volts

60 Hz

kVA	Catalog Number	Case Style (Pages 226 - 234)	Approx. Dimensions (Inches)			Approx. Weight (Lbs.)	Mtg Type W - Wall F - Floor	Wiring Diagram (Pages 243 - 258)
			Width	Depth	Height			
15	NMK015KK	NH5	19.40	20.20	21.50	200	F or W *	SCD 25
30	NMK030KK	NH6	23.90	25.00	28.75	280	F or W *	SCD 19
45	NMK045KK	NH6	23.90	25.00	28.75	375	F or W *	SCD 19
75	NMK075KK	NH3	26.00	25.00	38.00	540	F or W *	SCD 19
112.5	NMK112KK	NH3	26.00	25.00	38.00	775	F	SCD 19
150	NMK150KK	NH4	32.00	29.50	41.00	850	F	SCD 19
225	NMK225KK	NH4	32.00	29.50	41.00	1400	F	SCD 19
300	NMK300KK	NJ1	39.50	34.00	51.50	1700	F	SCD 19
500	NMK500KK	NJ2	48.50	38.40	59.00	2700	F	SCD 20
750	NMK750KK	NJ3	51.50	43.40	66.00	3250	F	SCD 20

For shielded units, please add the suffix "S" to the above part numbers.

*WALL MOUNTING KIT AND/OR DRIP PLATE KIT REQUIRED. REFER TO PAGES 238 TO 239 FOR DETAILS.

600 Delta Primary Volts

208Y/120 Secondary Volts

60 Hz

kVA	Catalog Number	Case Style (Pages 226 - 234)	Approx. Dimensions (Inches)			Approx. Weight (Lbs.)	Mtg Type W - Wall F - Floor	Wiring Diagram (Pages 243 - 258)
			Width	Depth	Height			
15	NMK015PB	NH5	19.40	20.20	21.50	200	F or W *	SCD 9
30	NMK030PB	NH6	23.90	25.00	28.75	280	F or W *	SCD 9
45	NMK045PB	NH6	23.90	25.00	28.75	375	F or W *	SCD 9
75	NMK075PB	NH3	26.00	25.00	38.00	540	F or W *	SCD 9
112.5	NMK112PB	NH3	26.00	25.00	38.00	775	F	SCD 9
150	NMK150PB	NH4	32.00	29.50	41.00	850	F	SCD 9
225	NMK225PB	NH4	32.00	29.50	41.00	1400	F	SCD 9
300	NMK300PB	NJ1	39.50	34.00	51.50	1700	F	SCD 9
500	NMK500PB	NJ2	48.50	38.40	59.00	2200	F	SCD 10
750	NMK750PB	NJ3	51.50	43.40	66.00	3250	F	SCD 10

For shielded units, please add the suffix "S" to the above part numbers.

*WALL MOUNTING KIT AND/OR DRIP PLATE KIT REQUIRED. REFER TO PAGES 238 TO 239 FOR DETAILS.

Note: For units smaller than 15kVA, please refer to the three phase encapsulated units in Section 8. Products listed on this page are available as 'CE Mark' products. Please consult our sales office.

DOE 2016 product please see the HPS Sentinel® Energy Efficient Distribution Transformer Selection Guide (DOESEL15)

FOR TERMINATION DETAILS SEE PAGE 242

FOR ACCESSORIES SEE PAGES 238 TO 241





ALUMINUM WOUND, THREE PHASE

600Y Primary Volts

240 Delta Secondary Volts

60 Hz

kVA	Catalog Number	Case Style (Pages 226 - 234)	Approx. Dimensions (Inches)			Approx. Weight (Lbs.)	Mtg Type W - Wall F - Floor	Wiring Diagram (Pages 243 - 258)
			Width	Depth	Height			
15	NMK015PD	NH5	19.40	20.20	21.50	200	F or W *	SCD 16
30	NMK030PD	NH6	23.90	25.00	28.75	280	F or W *	SCD 16
45	NMK045PD	NH6	23.90	25.00	28.75	375	F or W *	SCD 16
75	NMK075PD	NH3	26.00	25.00	38.00	540	F or W *	SCD 16
112.5	NMK112PD	NH3	26.00	25.00	38.00	775	F	SCD 16
150	NMK150PD	NH4	32.00	29.50	41.00	850	F	SCD 16
225	NMK225PD	NH4	32.00	29.50	41.00	1400	F	SCD 16
300	NMK300PD	NJ1	39.50	34.00	51.50	1700	F	SCD 16
500	NMK500PD	NJ2	48.50	38.40	59.00	2700	F	SCD 29
750	NMK750PD	NJ3	51.50	43.40	66.00	3250	F	SCD 29

For shielded units, please add the suffix "S" to the above part numbers.

*WALL MOUNTING KIT AND/OR DRIP PLATE KIT REQUIRED. REFER TO PAGES 238 TO 239 FOR DETAILS.

600 Delta Primary Volts

480Y/277 Secondary Volts

60 Hz

kVA	Catalog Number	Case Style (Pages 226 - 234)	Approx. Dimensions (Inches)			Approx. Weight (Lbs.)	Mtg Type W - Wall F - Floor	Wiring Diagram (Pages 243 - 258)
			Width	Depth	Height			
15	NMK015PK	NH5	19.40	20.20	21.50	200	F or W *	SCD 9
30	NMK030PK	NH6	23.90	25.00	28.75	280	F or W *	SCD 9
45	NMK045PK	NH6	23.90	25.00	28.75	375	F or W *	SCD 9
75	NMK075PK	NH3	26.00	25.00	38.00	540	F or W *	SCD 9
112.5	NMK112PK	NH3	26.00	25.00	38.00	775	F	SCD 9
150	NMK150PK	NH4	32.00	29.50	41.00	850	F	SCD 9
225	NMK225PK	NH4	32.00	29.50	41.00	1400	F	SCD 9
300	NMK300PK	NJ1	39.50	34.00	51.50	1700	F	SCD 9
500	NMK500PK	NJ2	48.50	38.40	59.00	2700	F	SCD 10
750	NMK750PK	NJ3	51.50	43.40	66.00	3250	F	SCD 10

For shielded units, please add the suffix "S" to the above part numbers.

*WALL MOUNTING KIT AND/OR DRIP PLATE KIT REQUIRED. REFER TO PAGES 238 TO 239 FOR DETAILS.

COPPER WOUND, THREE PHASE

208 Delta Primary Volts

208Y/120 Secondary Volts

60 Hz

kVA	Catalog Number	Case Style (Pages 226 - 234)	Approx. Dimensions (Inches)			Approx. Weight (Lbs.)	Mtg Type W - Wall F - Floor	Wiring Diagram (Pages 243 - 258)
			Width	Depth	Height			
15	NMK015BBCN	NH5	19.40	20.20	21.50	200	F or W *	SCD 7
30	NMK030BBC	NH6	23.90	25.00	28.75	300	F or W *	SCD 9
45	NMK045BBC	NH6	23.90	25.00	28.75	400	F or W *	SCD 9
75	NMK075BBC	NH3	26.00	25.00	38.00	600	F or W *	SCD 9
112.5	NMK112BBC	NH3	26.00	25.00	38.00	850	F	SCD 9
150	NMK150BBC	NH4	32.00	29.50	41.00	975	F	SCD 9
225	NMK225BBC	NH4	32.00	29.50	41.00	1850	F	SCD 9
300	NMK300BBC	NJ1	39.50	34.00	51.50	1850	F	SCD 9
500	NMK500BBC	NJ2	48.50	38.40	59.00	2800	F	SCD 25
750	NMK750BBC	NJ3	51.50	43.40	66.00	3550	F	SCD 25

For shielded units, please replace the suffix "C" with "K" on the above part numbers.

*WALL MOUNTING KIT AND/OR DRIP PLATE KIT REQUIRED. REFER TO PAGES 238 TO 239 FOR DETAILS.

Note: For units smaller than 15kVA, please refer to the three phase encapsulated units in Section 8. Products listed on this page are available as 'CE Mark' products. Please consult our sales office.

DOE 2016 product please see the HPS Sentinel® Energy Efficient Distribution Transformer Selection Guide (DOESEL15)

FOR TERMINATION DETAILS SEE PAGE 242

FOR ACCESSORIES SEE PAGES 238 TO 241



COPPER WOUND, THREE PHASE



208 Delta Primary Volts

480Y/277 Secondary Volts

60 Hz

kVA	Catalog Number	Case Style (Pages 226 - 234)	Approx. Dimensions (Inches)			Approx. Weight (Lbs.)	Mtg Type W - Wall F - Floor	Wiring Diagram (Pages 243 - 258)
			Width	Depth	Height			
15	NMK015BKC	NH5	19.40	20.20	21.50	200	F or W *	SCD 40
30	NMK030BKC	NH6	23.90	25.00	28.75	300	F or W *	SCD 26
45	NMK045BKC	NH6	23.90	25.00	28.75	400	F or W *	SCD 26
75	NMK075BKC	NH3	26.00	25.00	38.00	600	F or W *	SCD 26
112.5	NMK112BKC	NH3	26.00	25.00	38.00	850	F	SCD 26
150	NMK150BKC	NH4	32.00	29.50	41.00	975	F	SCD 26
225	NMK225BKC	NH4	32.00	29.50	41.00	1500	F	SCD 26
300	NMK300BKC	NJ1	39.50	34.00	51.50	1850	F	SCD 26
500	NMK500BKC	NJ2	48.50	38.40	59.00	2800	F	SCD 23
750	NMK750BKC	NJ3	51.50	43.40	66.00	3550	F	SCD 23

For shielded units, please replace the suffix "C" with "K" on the above part numbers.

*WALL MOUNTING KIT AND/OR DRIP PLATE KIT REQUIRED. REFER TO PAGES 238 TO 239 FOR DETAILS.

240 Delta Primary Volts

208Y/120 Secondary Volts

60 Hz

kVA	Catalog Number	Case Style (Pages 226 - 234)	Approx. Dimensions (Inches)			Approx. Weight (Lbs.)	Mtg Type W - Wall F - Floor	Wiring Diagram (Pages 243 - 258)
			Width	Depth	Height			
15	NMK015DBC	NH5	19.40	20.20	21.50	200	F or W *	SCD 40
30	NMK030DBC	NH6	23.90	25.00	28.75	300	F or W *	SCD 9
45	NMK045DBC	NH6	23.90	25.00	28.75	400	F or W *	SCD 9
75	NMK075DBC	NH3	26.00	25.00	38.00	600	F or W *	SCD 9
112.5	NMK112DBC	NH3	26.00	25.00	38.00	850	F	SCD 9
150	NMK150DBC	NH4	32.00	29.50	41.00	975	F	SCD 9
225	NMK225DBC	NH4	32.00	29.50	41.00	1500	F	SCD 9
300	NMK300DBC	NJ1	39.50	34.00	51.50	1850	F	SCD 9
500	NMK500DBC	NJ2	48.50	38.40	59.00	2800	F	NO TAPS
750	NMK750DBC	NJ3	51.50	43.40	66.00	3550	F	NO TAPS

For shielded units, please replace the suffix "C" with "K" on the above part numbers.

*WALL MOUNTING KIT AND/OR DRIP PLATE KIT REQUIRED. REFER TO PAGES 238 TO 239 FOR DETAILS.

240 Delta Primary Volts

480Y/277 Secondary Volts

60 Hz

kVA	Catalog Number	Case Style (Pages 226 - 234)	Approx. Dimensions (Inches)			Approx. Weight (Lbs.)	Mtg Type W - Wall F - Floor	Wiring Diagram (Pages 243 - 258)
			Width	Depth	Height			
15	NMK015DKC	NH5	19.40	20.20	21.50	200	F or W *	SCD 40
30	NMK030DKC	NH6	23.90	25.00	28.75	300	F or W *	SCD 26
45	NMK045DKC	NH6	23.90	25.00	28.75	400	F or W *	SCD 26
75	NMK075DKC	NH3	26.00	25.00	38.00	600	F or W *	SCD 26
112.5	NMK112DKC	NH3	26.00	25.00	38.00	850	F	SCD 26
150	NMK150DKC	NH4	32.00	29.50	41.00	975	F	SCD 26
225	NMK225DKC	NH4	32.00	29.50	41.00	1500	F	SCD 26
300	NMK300DKC	NJ1	39.50	34.00	51.50	1850	F	SCD 26
500	NMK500DKC	NJ2	48.50	38.40	59.00	2800	F	NO TAPS
750	NMK750DKC	NJ3	51.50	43.40	66.00	3550	F	NO TAPS

For shielded units, please replace the suffix "C" with "K" on the above part numbers.

*WALL MOUNTING KIT AND/OR DRIP PLATE KIT REQUIRED. REFER TO PAGES 238 TO 239 FOR DETAILS.

Note: For units smaller than 15kVA, please refer to the three phase encapsulated units in Section 8. Products listed on this page are available as 'CE Mark' products. Please consult our sales office.

DOE 2016 product please see the HPS Sentinel® Energy Efficient Distribution Transformer Selection Guide (DOESEL15)

FOR TERMINATION DETAILS SEE PAGE 242

FOR ACCESSORIES SEE PAGES 238 TO 241



COPPER WOUND, THREE PHASE



480 Delta Primary Volts

208Y/120 Secondary Volts

60 Hz

kVA	Catalog Number	Case Style (Pages 226 - 234)	Approx. Dimensions (Inches)			Approx. Weight (Lbs.)	Mtg Type W - Wall F - Floor	Wiring Diagram (Pages 243 - 258)
			Width	Depth	Height			
15	NMK015KBCN	NH5	19.40	20.20	21.50	200	F or W *	SCD 7
30	NMK030KBCN	NH6	23.90	25.00	28.75	300	F or W *	SCD 19
45	NMK045KBC	NH6	23.90	25.00	28.75	400	F or W *	SCD 19
75	NMK075KBC	NH3	26.00	25.00	38.00	600	F or W *	SCD 19
112.5	NMK112KBC	NH3	26.00	25.00	38.00	850	F	SCD 19
150	NMK150KBC	NH4	32.00	29.50	41.00	975	F	SCD 19
225	NMK225KBC	NH4	32.00	29.50	41.00	1500	F	SCD 19
300	NMK300KBC	NJ1	39.50	34.00	51.50	1850	F	SCD 19
500	NMK500KBC	NJ2	48.50	38.40	59.00	2500	F	SCD 19
750	NMK750KBC	NJ3	51.50	43.40	66.00	3300	F	SCD 19

For shielded units, please replace the suffix "C" with "K" on the above part numbers.

*WALL MOUNTING KIT AND/OR DRIP PLATE KIT REQUIRED. REFER TO PAGES 238 TO 239 FOR DETAILS.

480 Delta Primary Volts

240 Delta/120 CT Secondary Volts

60 Hz

kVA	Catalog Number	Case Style (Pages 226 - 234)	Approx. Dimensions (Inches)			Approx. Weight (Lbs.)	Mtg Type W - Wall F - Floor	Wiring Diagram (Pages 243 - 258)
			Width	Depth	Height			
15	NMK015KDCN	NH5	19.40	20.20	21.50	200	F or W *	SCD 13
30	NMK030KDCN	NH6	23.90	25.00	28.75	300	F or W *	SCD 21
45	NMK045KDC	NH6	23.90	25.00	28.75	400	F or W *	SCD 21
75	NMK075KDC	NH3	26.00	25.00	38.00	600	F or W *	SCD 21
112.5	NMK112KDC	NH3	26.00	25.00	38.00	850	F	SCD 21
150	NMK150KDC	NH4	32.00	29.50	41.00	975	F	SCD 21
225	NMK225KDC	NH4	32.00	29.50	41.00	1500	F	SCD 21
300	NMK300KDC	NJ1	39.50	34.00	51.50	1850	F	SCD 21
500	NMK500KDC	NJ2	48.50	38.40	59.00	2800	F	SCD 22
750	NMK750KDC	NJ3	51.50	43.40	66.00	3550	F	SCD 22

For shielded units, please replace the suffix "C" with "K" on the above part numbers.

*WALL MOUNTING KIT AND/OR DRIP PLATE KIT REQUIRED. REFER TO PAGES 238 TO 239 FOR DETAILS.

480 Delta Primary Volts

480Y/277 Secondary Volts

60 Hz

kVA	Catalog Number	Case Style (Pages 226 - 234)	Approx. Dimensions (Inches)			Approx. Weight (Lbs.)	Mtg Type W - Wall F - Floor	Wiring Diagram (Pages 243 - 258)
			Width	Depth	Height			
15	NMK015KKCN	NH5	19.40	20.20	21.50	200	F or W *	SCD 25
30	NMK030KKCN	NH6	23.90	25.00	28.75	300	F or W *	SCD 19
45	NMK045KKC	NH6	23.90	25.00	28.75	400	F or W *	SCD 19
75	NMK075KKC	NH3	26.00	25.00	38.00	600	F or W *	SCD 19
112.5	NMK112KKC	NH3	26.00	25.00	38.00	850	F	SCD 19
150	NMK150KKC	NH4	32.00	29.50	41.00	975	F	SCD 19
225	NMK225KKC	NH4	32.00	29.50	41.00	1500	F	SCD 19
300	NMK300KKC	NJ1	39.50	34.00	51.50	1850	F	SCD 19
500	NMK500KKC	NJ2	48.50	38.40	59.00	2800	F	SCD 20
750	NMK750KKC	NJ3	51.50	43.40	66.00	3550	F	SCD 20

For shielded units, please replace the suffix "C" with "K" on the above part numbers.

*WALL MOUNTING KIT AND/OR DRIP PLATE KIT REQUIRED. REFER TO PAGES 238 TO 239 FOR DETAILS.

Note: For units smaller than 15kVA, please refer to the three phase encapsulated units in Section 8. Products listed on this page are available as 'CE Mark' products. Please consult our sales office.

DOE 2016 product please see the HPS Sentinel® Energy Efficient Distribution Transformer Selection Guide (DOESEL15)

FOR TERMINATION DETAILS SEE PAGE 242

FOR ACCESSORIES SEE PAGES 238 TO 241



COPPER WOUND, THREE PHASE



600 Delta Primary Volts

208Y/120 Secondary Volts

60 Hz

kVA	Catalog Number	Case Style (Pages 226 - 234)	Approx. Dimensions (Inches)			Approx. Weight (Lbs.)	Mtg Type W - Wall F - Floor	Wiring Diagram (Pages 243 - 258)
			Width	Depth	Height			
15	NMK015PBCN	NH5	19.40	20.20	21.50	200	F or W *	SCD 9
30	NMK030PBCN	NH6	23.90	25.00	28.75	300	F or W *	SCD 9
45	NMK045PBC	NH6	23.90	25.00	28.75	400	F or W *	SCD 9
75	NMK075PBC	NH3	26.00	25.00	38.00	600	F or W *	SCD 9
112.5	NMK112PBC	NH3	26.00	25.00	38.00	850	F	SCD 9
150	NMK150PBC	NH4	32.00	29.50	41.00	975	F	SCD 9
225	NMK225PBC	NH4	32.00	29.50	41.00	1500	F	SCD 9
300	NMK300PBC	NJ1	39.50	34.00	51.50	1850	F	SCD 9
500	NMK500PBC	NJ2	48.50	38.40	59.00	2500	F	SCD 10
750	NMK750PBC	NJ3	51.50	43.40	66.00	3550	F	SCD 10

For shielded units, please replace the suffix "C" with "K" on the above part numbers.

*WALL MOUNTING KIT AND/OR DRIP PLATE KIT REQUIRED. REFER TO PAGES 238 TO 239 FOR DETAILS.

600Y Primary Volts

240 Delta Secondary Volts

60 Hz

kVA	Catalog Number	Case Style (Pages 226 - 234)	Approx. Dimensions (Inches)			Approx. Weight (Lbs.)	Mtg Type W - Wall F - Floor	Wiring Diagram (Pages 243 - 258)
			Width	Depth	Height			
15	NMK015PDCN	NH5	19.40	20.20	21.50	200	F or W *	SCD 16
30	NMK030PDC	NH6	23.90	25.00	28.75	300	F or W *	SCD 16
45	NMK045PDC	NH6	23.90	25.00	28.75	400	F or W *	SCD 16
75	NMK075PDC	NH3	26.00	25.00	38.00	600	F or W *	SCD 16
112.5	NMK112PDC	NH3	26.00	25.00	38.00	850	F	SCD 16
150	NMK150PDC	NH4	32.00	29.50	41.00	975	F	SCD 16
225	NMK225PDC	NH4	32.00	29.50	41.00	1500	F	SCD 16
300	NMK300PDC	NJ1	39.50	34.00	51.50	1850	F	SCD 16
500	NMK500PDC	NJ2	48.50	38.40	59.00	2800	F	SCD 29
750	NMK750PDC	NJ3	51.50	43.40	66.00	3550	F	SCD 29

For shielded units, please replace the suffix "C" with "K" on the above part numbers.

*WALL MOUNTING KIT AND/OR DRIP PLATE KIT REQUIRED. REFER TO PAGES 238 TO 239 FOR DETAILS.

600 Delta Primary Volts

480Y/277 Secondary Volts

60 Hz

kVA	Catalog Number	Case Style (Pages 226 - 234)	Approx. Dimensions (Inches)			Approx. Weight (Lbs.)	Mtg Type W - Wall F - Floor	Wiring Diagram (Pages 243 - 258)
			Width	Depth	Height			
15	NMK015PKCN	NH5	19.40	20.20	21.50	200	F or W *	SCD 9
30	NMK030PKCN	NH6	23.90	25.00	28.75	300	F or W *	SCD 9
45	NMK045PKC	NH6	23.90	25.00	28.75	400	F or W *	SCD 9
75	NMK075PKC	NH3	26.00	25.00	38.00	600	F or W *	SCD 9
112.5	NMK112PKC	NH3	26.00	25.00	38.00	850	F	SCD 9
150	NMK150PKC	NH4	32.00	29.50	41.00	975	F	SCD 9
225	NMK225PKC	NH4	32.00	29.50	41.00	1500	F	SCD 9
300	NMK300PKC	NJ1	39.50	34.00	51.50	1850	F	SCD 9
500	NMK500PKC	NJ2	48.50	38.40	59.00	2800	F	SCD 10
750	NMK750PKC	NJ3	51.50	43.40	66.00	3550	F	SCD 10

For shielded units, please replace the suffix "C" with "K" on the above part numbers.

*WALL MOUNTING KIT AND/OR DRIP PLATE KIT REQUIRED. REFER TO PAGES 238 TO 239 FOR DETAILS.

Note: For units smaller than 15kVA, please refer to the three phase encapsulated units in Section 8.
Products listed on this page are available as "CE Mark" products. Please consult our sales office.

DOE 2016 product please see the HPS Sentinel® Energy Efficient Distribution Transformer Selection Guide (DOESEL15)

FOR TERMINATION DETAILS SEE PAGE 242

FOR ACCESSORIES SEE PAGES 238 TO 241



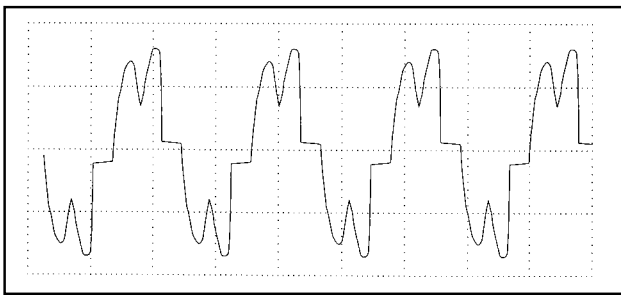
HPS Synergy® Series

600V CLASS ENERGY EFFICIENT K-FACTOR TRANSFORMER

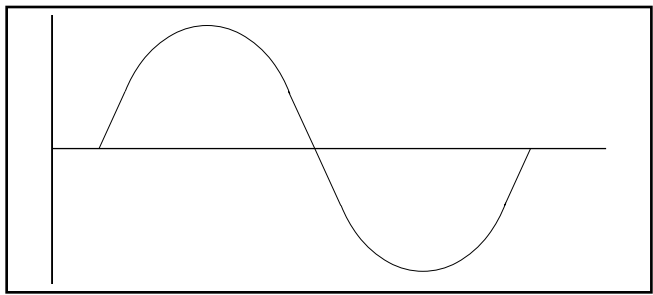
The use of electronic equipment has continued to proliferate in both offices and industrial plants. These electronic devices are powered by either switching power supplies or a rectifier circuit. Examples of these devices include computers, fax machines, copiers, printers, cash registers, UPS's and solid-state ballasts. They all contribute to the distortion of the current waveform and the generation of harmonics.

HARMONICS AND NON-LINEAR LOADS

Harmonics, in an electrical system, are currents created by non-linear loads that generate non-sinusoidal (non-linear) current waveforms. These current and voltage waveforms operate on frequencies that are in multiples of the fundamental 60 hertz frequency. That is, the fundamental frequency is at 60 hertz, the 2nd harmonic is at 120 hertz frequency (60 x 2), the 3rd at 180 hertz, and so forth.



An example of harmonics



An example of a perfect waveform

Harmonics are principally the by-product of switch-mode power supply technology where AC is rectified to DC, and back again. In the process, a capacitor is charged in the first half-cycle and then discharged in the next half-cycle in supplying current to the load. This cycle is repeated. This action of recharging causes AC current to flow only during a portion of the AC voltage wave in abrupt pulses. These abrupt pulses distort the fundamental wave shape causing distortion to the various harmonic frequencies.

Non-Linear Loads

Today, non-linear loads make up the majority of all electrical demand. Rectified input, switching power supplies and electronic lighting ballasts are the most common single phase non-linear loads. Harmonic currents and voltages produced by single phase, non-linear loads which are connected phase-to-neutral in a three phase four wire system, are third order, zero sequence harmonics (the third harmonic and its odd multiples - 3rd, 9th, 15th, 21st, etc., phasors displaced by zero degrees). These third order, zero sequence harmonic currents do not cancel, but add up arithmetically on the neutral bus, creating a primary source of excessive neutral current.

HPS Synergy® Series

600V CLASS ENERGY EFFICIENT K-FACTOR TRANSFORMER continued...

Energy efficient general purpose distribution transformers, most frequently used for applications such as commercial or institutional buildings, will supply widely varied single phase loads. Energy Efficient K-Factor transformers are energy efficient general purpose transformers, but are designed to tolerate the harmonic distortion associated with these loads.

Harmonics indicate their presence in a number of ways:

- Overheating
- Device malfunctions
- Telephone interference
- Equipment vibration
- Breakers tripping

Harmonics For A 60Hz System

In a 60 Hz power system, the fundamental and harmonic frequencies are outlined in the table below.

Fundamental	60 Hz
2nd Harmonic	120 Hz
3rd Harmonic	180 Hz
4th Harmonic	240 Hz
5th Harmonic	300 Hz
6th Harmonic	360 Hz
7th Harmonic	420 Hz
8th Harmonic	480 Hz
9th Harmonic	540 Hz
10th Harmonic	600 Hz
11th Harmonic	660 Hz
12th Harmonic	720 Hz
13th Harmonic	780 Hz

14th Harmonic	840 Hz
15th Harmonic	900 Hz
16th Harmonic	9600 Hz
17th Harmonic	1020 Hz
18th Harmonic	1080 Hz
19th Harmonic	1140 Hz
20th Harmonic	1200 Hz
21st Harmonic	1260 Hz
22nd Harmonic	1320 Hz
23rd Harmonic	1380 Hz
24th Harmonic	1440 Hz
25th Harmonic	1500 Hz

K-Factor

K-factor is defined as a ratio between the additional losses due to harmonics and the eddy current losses at 60Hz. It is used to specify transformers for non-linear loads. Transformers with a rated K-factor of 4, 7, 13, 20 and 30 are available. For balanced loading, a transformer with a K-factor of 4 should be specified when no more than 50% of the total load is non-linear. A transformer with K-factor 13 should be specified when 100% of the load is non-linear.

DOE 2016 product please see the HPS Sentinel® Energy Efficient Distribution Transformer Selection Guide (DOESEL15)



HPS Synergy®

600V CLASS ENERGY EFFICIENT K-FACTOR TRANSFORMERS ALUMINUM & COPPER, THREE PHASE STANDARD SPECIFICATIONS



15 to 45 kVA



75 to 750 kVA



	15 to 45 kVA	75 to 750 kVA
Application	Most frequently used for applications such as commercial or institutional buildings, will supply widely varied single phase loads	
Efficiency	Meets C802.2 efficiencies at 35% of rated load. Efficiencies are calculated under a linear load profile.	
UL Listed	File: E112313	File: E112313
CSA Certified	File: LR3902	File: LR3902
Frequency	60 Hz	60 Hz
Insulation System	220°C (150°C rise) 200°C (130°C rise) on 15 & 30kVA copper (optional 115°C and 80°C rise available)	220°C (150°C rise) (optional 115°C and 80°C rise available)
Electrostatic Shield	60dB Common Mode - typical	60dB Common Mode - typical
Enclosure Type	Heavy duty ventilated type 3R Optional type 4, 4X (stainless steel) and 12.	Heavy duty ventilated type 3R Optional type 4, 4X (stainless steel) and 12.
Enclosure Finish	ANSI 61 Grey, UL50	ANSI 61 Grey, UL50
Neutral	Neutral terminal for field connection (on applicable units).	Neutral terminal for field connection (on applicable units).
Standard Primary Taps	Refer to wiring diagrams for details.	Refer to wiring diagrams for details.
Termination	Front accessible separate high and low voltage terminals; connectors suitable for aluminum and copper are provided for easy cable installation.	Front accessible separate high and low voltage terminals; connectors suitable for aluminum and copper are provided for easy cable installation.
Conduit Knock-Outs	Standard on all units (no knock-outs on Stainless Steel enclosures).	Standard on 75 kVA & 225 kVA units (no knock-outs on Stainless Steel enclosures).
Impedance	Typically 2.5% to 6.5%	Typically 2.5% to 6.5%
Mounting	Floor or wall/ceiling mounting available. Refer to selection tables for details.	Floor or wall/ceiling mounting available. Refer to selection tables for details.
Sound level	Meets NEMA ST-20 standards. (Optional low noise units available)	Meets NEMA ST-20 standards. (Optional low noise units available)

Other voltages and kVA sizes not listed in this section are available upon request for both aluminum and copper wound units. Features as listed above may differ. Please contact customer service for details, price and availability.





ALUMINUM WOUND, SHIELDED, THREE PHASE K-FACTOR 4

480 Delta Primary Volts

208Y/120 Secondary Volts

60 Hz

kVA	Catalog Number	Case Style (Pages 226 - 234)	Approx. Dimensions (Inches)			Approx. Weight (Lbs.)	Mtg Type W - Wall F - Floor	Wiring Diagram (Pages 243 - 258)
			Width	Depth	Height			
15	NMT04K015KBS	NH5	19.40	20.20	21.50	190	F or W *	SCD 7
30	NMT04K030KBS	NH6	23.90	25.00	28.75	330	F or W *	SCD 19
45	NMT04K045KBS	NH6	23.90	25.00	28.75	430	F or W *	SCD 19
75	NMT04K075KBS	NH3	26.00	25.00	38.00	640	F or W *	SCD 19
112.5	NMT04K112KBS	NH3	26.00	25.00	38.00	920	F	SCD 19
150	NMT04K150KBS	NH4	32.00	29.50	41.00	1050	F	SCD 19
225	NMT04K225KBS	NH4	32.00	29.50	41.00	1575	F	SCD 19
300	NMT04K300KBS	NJ1	39.50	34.00	51.50	1830	F	SCD 19
500	NMT04K500KBS	NJ2	48.50	38.40	59.00	2150	F	SCD 20
750	NMT04K750KBS	NJ3	51.50	43.40	66.00	3375	F	SCD 20

*WALL MOUNTING KIT AND/OR DRIP PLATE KIT REQUIRED. REFER TO PAGES 238 TO 239 FOR DETAILS.

600 Delta Primary Volts

208Y/120 Secondary Volts

60 Hz

kVA	Catalog Number	Case Style (Pages 226 - 234)	Approx. Dimensions (Inches)			Approx. Weight (Lbs.)	Mtg Type W - Wall F - Floor	Wiring Diagram (Pages 243 - 258)
			Width	Depth	Height			
15	NMT04K015PBS	NH5	19.40	20.20	21.50	190	F or W *	SCD 9
30	NMT04K030PBS	NH6	23.90	25.00	28.75	330	F or W *	SCD 9
45	NMT04K045PBS	NH6	23.90	25.00	28.75	430	F or W *	SCD 9
75	NMT04K075PBS	NH3	26.00	25.00	38.00	640	F or W *	SCD 9
112.5	NMT04K112PBS	NH3	26.00	25.00	38.00	920	F	SCD 9
150	NMT04K150PBS	NH4	32.00	29.50	41.00	1050	F	SCD 9
225	NMT04K225PBS	NH4	32.00	29.50	41.00	1575	F	SCD 9
300	NMT04K300PBS	NJ1	39.50	34.00	51.50	1830	F	SCD 9
500	NMT04K500PBS	NJ2	48.50	38.40	59.00	3000	F	SCD 10
750	NMT04K750PBS	NJ3	51.50	43.40	66.00	3375	F	SCD 10

*WALL MOUNTING KIT AND/OR DRIP PLATE KIT REQUIRED. REFER TO PAGES 238 TO 239 FOR DETAILS.

COPPER WOUND, SHIELDED, THREE PHASE K-FACTOR 4

480 Delta Primary Volts

208Y/120 Secondary Volts

60 Hz

kVA	Catalog Number	Case Style (Pages 226 - 234)	Approx. Dimensions (Inches)			Approx. Weight (Lbs.)	Mtg Type W - Wall F - Floor	Wiring Diagram (Pages 243 - 258)
			Width	Depth	Height			
15	NMT04K015KBKF	NH5	19.40	20.20	21.50	210	F or W *	SCD 7
30	NMT04K030KBKN	NH6	23.90	25.00	28.75	350	F or W *	SCD 19
45	NMT04K045KBK	NH6	23.90	25.00	28.75	460	F or W *	SCD 19
75	NMT04K075KBK	NH3	26.00	25.00	38.00	665	F or W *	SCD 19
112.5	NMT04K112KBK	NH3	26.00	25.00	38.00	945	F	SCD 19
150	NMT04K150KBK	NH4	32.00	29.50	41.00	1070	F	SCD 19
225	NMT04K225KBK	NH4	32.00	29.50	41.00	1725	F	SCD 19
300	NMT04K300KBK	NJ1	39.50	34.00	51.50	1925	F	SCD 19
500	NMT04K500KBK	NJ2	48.50	38.40	59.00	2500	F	SCD 20
750	NMT04K750KBK	NJ3	51.50	43.40	66.00	3300	F	SCD 20

*WALL MOUNTING KIT AND/OR DRIP PLATE KIT REQUIRED. REFER TO PAGES 238 TO 239 FOR DETAILS.

600 Delta Primary Volts

208Y/120 Secondary Volts

60 Hz

kVA	Catalog Number	Case Style (Pages 226 - 234)	Approx. Dimensions (Inches)			Approx. Weight (Lbs.)	Mtg Type W - Wall F - Floor	Wiring Diagram (Pages 243 - 258)
			Width	Depth	Height			
15	NMT04K015PBKF	NH5	19.40	20.20	21.50	210	F or W *	SCD 9
30	NMT04K030PBKN	NH6	23.90	25.00	28.75	350	F or W *	SCD 9
45	NMT04K045PBK	NH6	23.90	25.00	28.75	460	F or W *	SCD 19
75	NMT04K075PBK	NH3	26.00	25.00	38.00	665	F or W *	SCD 9
112.5	NMT04K112PBK	NH3	26.00	25.00	38.00	945	F	SCD 9
150	NMT04K150PBK	NH4	32.00	29.50	41.00	1070	F	SCD 9
225	NMT04K225PBK	NJ1	39.50	34.00	51.50	1725	F	SCD 9
300	NMT04K300PBK	NJ1	39.50	34.00	51.50	1925	F	SCD 9
500	NMT04K500PBK	NJ2	48.50	38.40	59.00	2925	F	SCD 10
750	NMT04K750PBK	NJ3	51.50	43.40	66.00	3375	F	SCD 10

*WALL MOUNTING KIT AND/OR DRIP PLATE KIT REQUIRED. REFER TO PAGES 238 TO 239 FOR DETAILS.

Products listed on this page are available as 'CE Mark' products. Please consult our sales office.

DOE 2016 product please see the HPS Sentinel® Energy Efficient Distribution Transformer Selection Guide (DOESEL15)



ALUMINUM WOUND, SHIELDED, THREE PHASE K-FACTOR 13



480 Delta Primary Volts

208Y/120 Secondary Volts

60 Hz

kVA	Catalog Number	Case Style (Pages 226 - 234)	Approx. Dimensions (Inches)			Approx. Weight (Lbs.)	Mtg Type W - Wall F - Floor	Wiring Diagram (Pages 243 - 258)
			Width	Depth	Height			
15	NMT13K015KBS	NH6	23.90	25.00	28.75	190	F or W *	SCD 19
30	NMT13K030KBS	NH6	23.90	25.00	28.75	340	F or W *	SCD 19
45	NMT13K045KBS	NH6	23.90	25.00	28.75	410	F or W *	SCD 19
75	NMT13K075KBS	NH3	26.00	25.00	38.00	675	F or W *	SCD 19
112.5	NMT13K112KBS	NH4	32.00	29.50	41.00	920	F	SCD 19
150	NMT13K150KBS	NH4	32.00	29.50	41.00	1050	F	SCD 19
225	NMT13K225KBS	NJ1	39.50	34.00	51.50	1600	F	SCD 19
300	NMT13K300KBS	NJ1	39.50	34.00	51.50	1830	F	SCD 20
500	NMT13K500KBS	NJ3	51.50	43.40	66.00	3000	F	SCD 20
750	NMT13K750KBS	NJ3	51.50	43.40	66.00	4300	F	SCD 10

*WALL MOUNTING KIT AND/OR DRIP PLATE KIT REQUIRED. REFER TO PAGES 238 TO 239 FOR DETAILS.

600 Delta Primary Volts

208Y/120 Secondary Volts

60 Hz

kVA	Catalog Number	Case Style (Pages 226 - 234)	Approx. Dimensions (Inches)			Approx. Weight (Lbs.)	Mtg Type W - Wall F - Floor	Wiring Diagram (Pages 243 - 258)
			Width	Depth	Height			
15	NMT13K015PBS	NH5	19.40	20.20	21.50	190	F or W *	SCD 9
30	NMT13K030PBS	NH6	23.90	25.00	28.75	340	F or W *	SCD 9
45	NMT13K045PBS	NH6	23.90	25.00	28.75	410	F or W *	SCD 9
75	NMT13K075PBS	NH3	26.00	25.00	38.00	675	F or W *	SCD 9
112.5	NMT13K112PBS	NH4	32.00	29.50	41.00	920	F	SCD 9
150	NMT13K150PBS	NH4	32.00	29.50	41.00	1050	F	SCD 9
225	NMT13K225PBS	NJ1	39.50	34.00	51.50	1600	F	SCD 9
300	NMT13K300PBS	NJ1	39.50	34.00	51.50	1900	F	SCD 9
500	NMT13K500PBS	NJ3	51.50	43.40	66.00	3000	F	SCD 10
750	NMT13K750PBS	NJ3	51.50	43.40	66.00	4300	F	SCD 10

*WALL MOUNTING KIT AND/OR DRIP PLATE KIT REQUIRED. REFER TO PAGES 238 TO 239 FOR DETAILS.

COPPER WOUND, SHIELDED, THREE PHASE K-FACTOR 13

480 Delta Primary Volts

208Y/120 Secondary Volts

60 Hz

kVA	Catalog Number	Case Style (Pages 226 - 234)	Approx. Dimensions (Inches)			Approx. Weight (Lbs.)	Mtg Type W - Wall F - Floor	Wiring Diagram (Pages 243 - 258)
			Width	Depth	Height			
15	NMT13K015KBKF	NH6	23.90	25.00	28.75	280	F or W *	SCD 19
30	NMT13K030KBKN	NH6	23.90	25.00	28.75	350	F or W *	SCD 19
45	NMT13K045KBK	NH6	23.90	25.00	28.75	470	F or W *	SCD 19
75	NMT13K075KBK	NH3	26.00	25.00	38.00	680	F or W *	SCD 19
112.5	NMT13K112KBK	NH4	32.00	29.50	41.00	970	F	SCD 19
150	NMT13K150KBK	NH4	32.00	29.50	41.00	1200	F	SCD 19
225	NMT13K225KBK	NJ1	39.50	34.00	51.50	1900	F	SCD 19
300	NMT13K300KBK	NJ1	39.50	34.00	51.50	2150	F	SCD 19
500	NMT13K500KBK	NJ2	51.50	43.40	66.00	3200	F	SCD 20
750	NMT13K750KBK	NJ3	51.50	43.40	66.00	4500	F	SCD 20

*WALL MOUNTING KIT AND/OR DRIP PLATE KIT REQUIRED. REFER TO PAGES 238 TO 239 FOR DETAILS.

600 Delta Primary Volts

208Y/120 Secondary Volts

60 Hz

kVA	Catalog Number	Case Style (Pages 226 - 234)	Approx. Dimensions (Inches)			Approx. Weight (Lbs.)	Mtg Type W - Wall F - Floor	Wiring Diagram (Pages 243 - 258)
			Width	Depth	Height			
15	NMT13K015PBKF	NH6	23.90	25.00	28.75	295	F or W *	SCD 9
30	NMT13K030PBKN	NH6	23.90	25.00	28.75	350	F or W *	SCD 9
45	NMT13K045PBK	NH6	23.90	25.00	28.75	480	F or W *	SCD 19
75	NMT13K075PBK	NH3	26.00	25.00	38.00	700	F or W *	SCD 9
112.5	NMT13K112PBK	NH4	32.00	29.50	41.00	970	F	SCD 9
150	NMT13K150PBK	NH4	32.00	29.50	41.00	1200	F	SCD 9
225	NMT13K225PBK	NJ1	39.50	34.00	51.50	1900	F	SCD 9
300	NMT13K300PBK	NJ1	39.50	34.00	51.50	2400	F	SCD 9
500	NMT13K500PBK	NJ2	51.50	43.40	66.00	3200	F	SCD 10
750	NMT13K750PBK	NJ3	51.50	43.40	66.00	4500	F	SCD 10

*WALL MOUNTING KIT AND/OR DRIP PLATE KIT REQUIRED. REFER TO PAGES 238 TO 239 FOR DETAILS.

Products listed on this page are available as 'CE Mark' products. Please consult our sales office.

DOE 2016 product please see the HPS Sentinel® Energy Efficient Distribution Transformer Selection Guide (DOESEL15)



ALUMINUM WOUND, SHIELDED, THREE PHASE K-FACTOR 20



480 Delta Primary Volts

208Y/120 Secondary Volts

60 Hz

kVA	Catalog Number	Case Style (Pages 226 - 234)	Approx. Dimensions (Inches)			Approx. Weight (Lbs.)	Mtg Type W - Wall F - Floor	Wiring Diagram (Pages 243 - 258)
			Width	Depth	Height			
15	NMT20K015KBS	NH6	23.90	25.00	28.75	275	F or W *	SCD 19
30	NMT20K030KBS	NH6	23.90	25.00	28.75	365	F or W *	SCD 19
45	NMT20K045KBS	NH3	26.00	25.00	38.00	565	F or W *	SCD 19
75	NMT20K075KBS	NH3	26.00	25.00	38.00	730	F or W *	SCD 19
112.5	NMT20K112KBS	NH4	32.00	29.50	41.00	950	F	SCD 19
150	NMT20K150KBS	NH4	32.00	29.50	41.00	1400	F	SCD 19
225	NMT20K225KBS	NJ1	39.50	34.00	51.50	1900	F	SCD 19
300	NMT20K300KBS	NJ2	48.50	38.40	59.00	2400	F	SCD 20
500	NMT20K500KBS	NJ3	51.50	43.40	66.00	3600	F	SCD 20
750	NMT20K750KBS		CONSULT FACTORY					

*WALL MOUNTING KIT AND/OR DRIP PLATE KIT REQUIRED. REFER TO PAGES 238 TO 239 FOR DETAILS.

600 Delta Primary Volts

208Y/120 Secondary Volts

60 Hz

kVA	Catalog Number	Case Style (Pages 226 - 234)	Approx. Dimensions (Inches)			Approx. Weight (Lbs.)	Mtg Type W - Wall F - Floor	Wiring Diagram (Pages 243 - 258)
			Width	Depth	Height			
15	NMT20K015PBS	NH6	23.90	25.00	28.75	275	F or W *	SCD 9
30	NMT20K030PBS	NH6	23.90	25.00	28.75	365	F or W *	SCD 9
45	NMT20K045PBS	NH3	26.00	25.00	38.00	565	F or W *	SCD 9
75	NMT20K075PBS	NH3	26.00	25.00	38.00	730	F or W *	SCD 9
112.5	NMT20K112PBS	NH4	32.00	29.50	41.00	950	F	SCD 9
150	NMT20K150PBS	NH4	32.00	29.50	41.00	1400	F	SCD 9
225	NMT20K225PBS	NJ1	39.50	34.00	51.50	1900	F	SCD 9
300	NMT20K300PBS	NJ2	48.50	38.40	59.00	2400	F	SCD 10
500	NMT20K500PBS	NJ3	51.50	43.40	66.00	3600	F	SCD 10
750	NMT20K750PBS		CONSULT FACTORY					

*WALL MOUNTING KIT AND/OR DRIP PLATE KIT REQUIRED. REFER TO PAGES 238 TO 239 FOR DETAILS.

COPPER WOUND, SHIELDED, THREE PHASE K-FACTOR 20

480 Delta Primary Volts

208Y/120 Secondary Volts

60 Hz

kVA	Catalog Number	Case Style (Pages 226 - 234)	Approx. Dimensions (Inches)			Approx. Weight (Lbs.)	Mtg Type W - Wall F - Floor	Wiring Diagram (Pages 243 - 258)
			Width	Depth	Height			
15	NMT20K015KBKF	NH6	23.90	25.00	28.75	275	F or W *	SCD 19
30	NMT20K030KBKN	NH6	23.90	25.00	28.75	440	F or W *	SCD 19
45	NMT20K045KBK	NH3	26.00	25.00	38.00	700	F or W *	SCD 19
75	NMT20K075KBK	NH3	26.00	25.00	38.00	860	F or W *	SCD 19
112.5	NMT20K112KBK	NH4	32.00	29.50	41.00	1150	F	SCD 19
150	NMT20K150KBK	NH4	32.00	29.50	41.00	1600	F	SCD 19
225	NMT20K225KBK	NJ1	39.50	34.00	51.50	2100	F	SCD 19
300	NMT20K300KBK	NJ2	48.50	38.40	59.00	2600	F	SCD 20
500	NMT20K500KBK	NJ3	51.50	43.40	66.00	3800	F	SCD 20
750	NMT20K750KBK		CONSULT FACTORY					

*WALL MOUNTING KIT AND/OR DRIP PLATE KIT REQUIRED. REFER TO PAGES 238 TO 239 FOR DETAILS.

600 Delta Primary Volts

208Y/120 Secondary Volts

60 Hz

kVA	Catalog Number	Case Style (Pages 226 - 234)	Approx. Dimensions (Inches)			Approx. Weight (Lbs.)	Mtg Type W - Wall F - Floor	Wiring Diagram (Pages 243 - 258)
			Width	Depth	Height			
15	NMT20K015PBKF	NH6	23.90	25.00	28.75	275	F or W *	SCD 9
30	NMT20K030PBKN	NH6	23.90	25.00	28.75	440	F or W *	SCD 9
45	NMT20K045PBK	NH3	26.00	25.00	38.00	700	F or W *	SCD 9
75	NMT20K075PBK	NH3	26.00	25.00	38.00	860	F or W *	SCD 9
112.5	NMT20K112PBK	NH4	32.00	29.50	41.00	1150	F	SCD 9
150	NMT20K150PBK	NH4	32.00	29.50	41.00	1600	F	SCD 9
225	NMT20K225PBK	NJ1	39.50	34.00	51.50	2100	F	SCD 9
300	NMT20K300PBK	NJ2	48.50	38.40	59.00	2600	F	SCD 10
500	NMT20K500PBK	NJ3	51.50	43.40	66.00	3800	F	SCD 10
750	NMT20K750PBK		CONSULT FACTORY					

*WALL MOUNTING KIT AND/OR DRIP PLATE KIT REQUIRED. REFER TO PAGES 238 TO 239 FOR DETAILS.

Products listed on this page are available as 'CE Mark' products. Please consult our sales office.

DOE 2016 product please see the HPS Sentinel® Energy Efficient Distribution Transformer Selection Guide (DOESEL15)

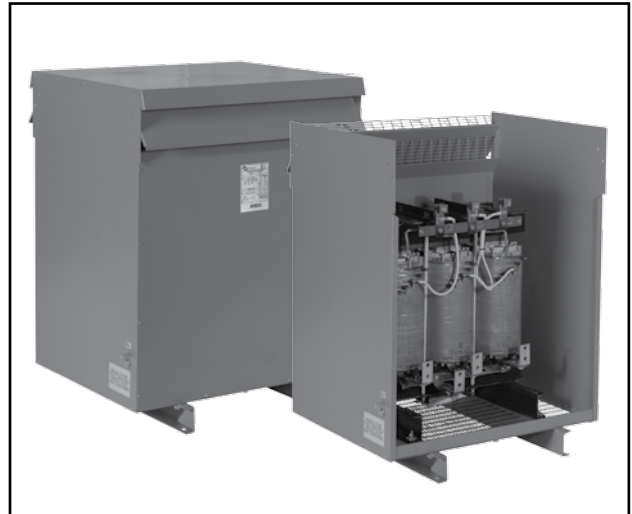


HPS CENTURION® Series

600V CLASS HARMONIC MITIGATING TRANSFORMERS

The HPS Centurion Energy Efficient, Harmonic Mitigating Transformers with zero sequence flux cancellation technology is specifically designed to treat the harmonics generated by computer equipment and other non-linear, power electronic loads.

Harmonic mitigating transformers are superior to K-Rated and conventional transformers in reducing voltage distortion (flat-topping) and power losses due to current harmonics created by single-phase, non-linear loads such as computer equipment. Secondary windings are designed to cancel zero sequence fluxes and eliminate primary winding circulating currents. They treat zero sequence harmonics (3rd, 9th and 15th) within the secondary windings and 5th and 7th harmonics upstream with an appropriate phase shift.



Dual Output Option

Dual output, phase shifting HMT provides extremely low output voltage distortion and input current distortion even under severe non-linear loading conditions (Data Centers, Internet Service Providers, Telecom Sites, Broadcasting Studios, etc). Combining zero sequence flux cancellation with phase shifting treats 3rd, 5th, 7th, 9th, 15th, 17th and 19th harmonics within its secondary windings.

HPS Centurion Series Harmonic Mitigating Transformer:

- Prevents voltage flat-topping caused by non-linear loads
- Reduces upstream harmonic currents
- Eliminates transformer overheating and high operating temperatures
- Eliminates primary winding circulating current
- Saves energy by reducing harmonic losses
- Maintains high energy efficiency even under non-linear loading conditions
- Electrostatic shielding for high frequency noise attenuation
- Lowers voltage distortion to prevent premature equipment failure
- Restores ride-through capability of computer equipment
- Treats power quality harmonic issues which K-rated transformers do not address
- Suitable for high K-factor loads
- Reduces current distortion at UPS, generator or Utility service
- Improves Upstream Total Power Factor

DOE 2016 product please see the HPS Sentinel® Energy Efficient Distribution Transformer Selection Guide (DOESEL15)



HPS Centurion®

600V CLASS ENERGY EFFICIENT HARMONIC MITIGATING TRANSFORMERS

THREE PHASE STANDARD SPECIFICATIONS

15 to 45 kVA



75 TO 750 KVA



	15 to 45 kVA	75 to 750 kVA
Application	Typical applications of severe non-linear loading conditions include data centers, internet-service providers, telecom sites, call centers, broadcast centers, etc.	
Efficiency	Meets C802.2 efficiencies at an operating range from 35% to 65% of rated linear load. Meets C802.2 efficiency standards when measured under a non-linear load profile up to K20 in an operating range from 35% to 50%.	
UL Listed	File: E112313	File: E112313
CSA Certified	File: LR3902	File: LR3902
Frequency	60 Hz	60 Hz
Insulation System	220°C (150°C rise) 200°C (130°C rise) on 15 & 30kVA copper (optional 115°C and 80°C rise available)	220°C (150°C rise) (optional 115°C and 80°C rise available)
Electrostatic Shield	60dB Common Mode - typical	60dB Common Mode - typical
Enclosure Type	Heavy duty ventilated type 3R Optional type 4, 4X (stainless steel) and 12	Heavy duty ventilated type 3R Optional type 4, 4X (stainless steel) and 12
Enclosure Finish	ANSI 61 Grey, UL50	ANSI 61 Grey, UL50
Neutral	Neutral terminal for field connection (on applicable units).	Neutral terminal for field connection (on applicable units).
Standard Primary Taps	Refer to wiring diagrams for details.	Refer to wiring diagrams for details.
Termination	Front accessible separate high and low voltage terminals; connectors suitable for aluminum and copper are provided for easy cable installation.	Front accessible separate high and low voltage terminals; connectors suitable for aluminum and copper are provided for easy cable installation.
Conduit Knock-Outs	Standard on all units (no knock-outs on Stainless Steel enclosures).	Standard on 75 kVA & 150 kVA units (no knock-outs on Stainless Steel enclosures).
Impedance	Typically 2.5% to 6.5%	Typically 2.5% to 6.5%
Mounting	Floor or wall/ceiling mounting available. Refer to selection tables for details.	Floor or wall/ceiling mounting available. Refer to selection tables for details.
Sound level	Meets NEMA ST-20 standards. (Optional low noise units available)	Meets NEMA ST-20 standards. (Optional low noise units available)

* Optional TVSS available. Dual Output option also available. Features as listed above may differ. Contact sales for more details.

DOE 2016 product please see the HPS Sentinel® Energy Efficient Distribution Transformer Selection Guide (DOESEL15)



SECTION 7



ALUMINUM WOUND, THREE PHASE, SHIELDED 0° PHASE SHIFT

208 Delta Primary Volts

208Y/120 Secondary Volts

60 Hz

kVA	Catalog Number	Case Style (Pages 226 - 234)	Approx. Dimensions (Inches)			Approx. Weight (Lbs.)	Mtg Type W - Wall F - Floor	Wiring Diagram (Pages 243 - 258)
			Width	Depth	Height			
15	H1EM015BB00S	NH5	19.40	20.20	21.50	220	F or W *	SCD 35
30	H1EM030BB00S	NH6	23.90	25.00	28.75	320	F or W *	SCD 35
45	H1EM045BB00S	NH6	23.90	25.00	28.75	430	F or W *	SCD 35
75	H1EM075BB00S	NH3	26.00	25.00	38.00	640	F or W *	SCD 35
112.5	H1EM112BB00S	NH4	32.00	29.50	41.00	920	F	SCD 35
150	H1EM150BB00S	NH4	32.00	29.50	41.00	1100	F	SCD 35
225	H1EM225BB00S	NJ1	39.50	34.00	51.50	1575	F	SCD 35
300	H1EM300BB00S	NJ2	48.50	38.40	59.00	1830	F	SCD 35
500	H1EM500BB00S	NJ3	51.50	43.40	66.00	2700	F	SCD 35
750	H1EM750BB00S	NJ3	51.50	43.40	66.00	3800	F	SCD 35

*WALL MOUNTING KIT AND/OR DRIP PLATE KIT REQUIRED.
REFER TO PAGES 238 TO 239 FOR DETAILS.

208 Delta Primary Volts

480Y/277 Secondary Volts

60 Hz

kVA	Catalog Number	Case Style (Pages 226 - 234)	Approx. Dimensions (Inches)			Approx. Weight (Lbs.)	Mtg Type W - Wall F - Floor	Wiring Diagram (Pages 243 - 258)
			Width	Depth	Height			
15	H1EM015BK00S	NH5	19.40	20.20	21.50	220	F or W *	SCD 35
30	H1EM030BK00S	NH6	23.90	25.00	28.75	320	F or W *	SCD 35
45	H1EM045BK00S	NH6	23.90	25.00	28.75	430	F or W *	SCD 35
75	H1EM075BK00S	NH3	26.00	25.00	38.00	640	F or W *	SCD 35
112.5	H1EM112BK00S	NH4	32.00	29.50	41.00	920	F	SCD 35
150	H1EM150BK00S	NH4	32.00	29.50	41.00	1100	F	SCD 35
225	H1EM225BK00S	NJ1	39.50	34.00	51.50	1575	F	SCD 35
300	H1EM300BK00S	NJ2	48.50	38.40	59.00	1830	F	SCD 35
500	H1EM500BK00S	NJ3	51.50	43.40	66.00	2700	F	SCD 35
750	H1EM750BK00S	NJ3	51.50	43.40	66.00	3800	F	SCD 35

*WALL MOUNTING KIT AND/OR DRIP PLATE KIT REQUIRED.
REFER TO PAGES 238 TO 239 FOR DETAILS.

480 Delta Primary Volts

208Y/120 Secondary Volts

60 Hz

kVA	Catalog Number	Case Style (Pages 226 - 234)	Approx. Dimensions (Inches)			Approx. Weight (Lbs.)	Mtg Type W - Wall F - Floor	Wiring Diagram (Pages 243 - 258)
			Width	Depth	Height			
15	H1EM015KB00S	NH5	19.40	20.20	21.50	220	F or W *	SCD 35
30	H1EM030KB00S	NH6	23.90	25.00	28.75	320	F or W *	SCD 35
45	H1EM045KB00S	NH6	23.90	25.00	28.75	430	F or W *	SCD 35
75	H1EM075KB00S	NH3	26.00	25.00	38.00	640	F or W *	SCD 35
112.5	H1EM112KB00S	NH4	32.00	29.50	41.00	920	F	SCD 35
150	H1EM150KB00S	NH4	32.00	29.50	41.00	1100	F	SCD 35
225	H1EM225KB00S	NJ1	39.50	34.00	51.50	1575	F	SCD 35
300	H1EM300KB00S	NJ2	48.50	38.40	59.00	1830	F	SCD 35
500	H1EM500KB00S	NJ3	51.50	43.40	66.00	2700	F	SCD 35
750	H1EM750KB00S	NJ3	51.50	43.40	66.00	3800	F	SCD 35

*WALL MOUNTING KIT AND/OR DRIP PLATE KIT REQUIRED.
REFER TO PAGES 238 TO 239 FOR DETAILS.

DOE 2016 product please see the HPS Sentinel® Energy Efficient Distribution Transformer Selection Guide (DOESEL15)



ALUMINUM WOUND, THREE PHASE, SHIELDED 0° PHASE SHIFT



480 Delta Primary Volts

480Y/277 Secondary Volts

60 Hz

kVA	Catalog Number	Case Style (Pages 226 - 234)	Approx. Dimensions (Inches)			Approx. Weight (Lbs.)	Mtg Type W - Wall F - Floor	Wiring Diagram (Pages 243 - 258)
			Width	Depth	Height			
15	H1EM015KK00S	NH5	19.40	20.20	21.50	220	F or W *	SCD 35
30	H1EM030KK00S	NH6	23.90	25.00	28.75	320	F or W *	SCD 35
45	H1EM045KK00S	NH6	23.90	25.00	28.75	430	F or W *	SCD 35
75	H1EM075KK00S	NH3	26.00	25.00	38.00	640	F or W *	SCD 35
112.5	H1EM112KK00S	NH4	32.00	29.50	41.00	920	F	SCD 35
150	H1EM150KK00S	NH4	32.00	29.50	41.00	1100	F	SCD 35
225	H1EM225KK00S	NJ1	39.50	34.00	51.50	1575	F	SCD 35
300	H1EM300KK00S	NJ2	48.50	38.40	59.00	1830	F	SCD 35
500	H1EM500KK00S	NJ3	51.50	43.40	66.00	2700	F	SCD 35
750	H1EM750KK00S	NJ3	51.50	43.40	66.00	3800	F	SCD 35

*WALL MOUNTING KIT AND/OR DRIP PLATE KIT REQUIRED.
REFER TO PAGES 238 TO 239 FOR DETAILS.

600 Delta Primary Volts

208Y/120 Secondary Volts

60 Hz

kVA	Catalog Number	Case Style (Pages 226 - 234)	Approx. Dimensions (Inches)			Approx. Weight (Lbs.)	Mtg Type W - Wall F - Floor	Wiring Diagram (Pages 243 - 258)
			Width	Depth	Height			
15	H1EM015PB00S	NH5	19.40	20.20	21.50	220	F or W *	SCD 35
30	H1EM030PB00S	NH6	23.90	25.00	28.75	320	F or W *	SCD 35
45	H1EM045PB00S	NH6	23.90	25.00	28.75	430	F or W *	SCD 35
75	H1EM075PB00S	NH3	26.00	25.00	38.00	640	F or W *	SCD 35
112.5	H1EM112PB00S	NH4	32.00	29.50	41.00	920	F	SCD 35
150	H1EM150PB00S	NH4	32.00	29.50	41.00	1100	F	SCD 35
225	H1EM225PB00S	NJ1	39.50	34.00	51.50	1575	F	SCD 35
300	H1EM300PB00S	NJ2	48.50	38.40	59.00	1830	F	SCD 35
500	H1EM500PB00S	NJ3	51.50	43.40	66.00	2700	F	SCD 35
750	H1EM750PB00S	NJ3	51.50	43.40	66.00	3800	F	SCD 35

*WALL MOUNTING KIT AND/OR DRIP PLATE KIT REQUIRED.
REFER TO PAGES 238 TO 239 FOR DETAILS.

600 Delta Primary Volts

480Y/277 Secondary Volts

60 Hz

kVA	Catalog Number	Case Style (Pages 226 - 234)	Approx. Dimensions (Inches)			Approx. Weight (Lbs.)	Mtg Type W - Wall F - Floor	Wiring Diagram (Pages 243 - 258)
			Width	Depth	Height			
15	H1EM015PK00S	NH5	19.40	20.20	21.50	220	F or W *	SCD 35
30	H1EM030PK00S	NH6	23.90	25.00	28.75	320	F or W *	SCD 35
45	H1EM045PK00S	NH6	23.90	25.00	28.75	430	F or W *	SCD 35
75	H1EM075PK00S	NH3	26.00	25.00	38.00	640	F or W *	SCD 35
112.5	H1EM112PK00S	NH4	32.00	29.50	41.00	920	F	SCD 35
150	H1EM150PK00S	NH4	32.00	29.50	41.00	1100	F	SCD 35
225	H1EM225PK00S	NJ1	39.50	34.00	51.50	1575	F	SCD 35
300	H1EM300PK00S	NJ2	48.50	38.40	59.00	1830	F	SCD 35
500	H1EM500PK00S	NJ3	51.50	43.40	66.00	2700	F	SCD 35
750	H1EM750PK00S	NJ3	51.50	43.40	66.00	3800	F	SCD 35

*WALL MOUNTING KIT AND/OR DRIP PLATE KIT REQUIRED.
REFER TO PAGES 238 TO 239 FOR DETAILS.

DOE 2016 product please see the HPS Sentinel® Energy Efficient Distribution Transformer Selection Guide (DOESEL15)



SECTION 7



ALUMINUM WOUND, THREE PHASE, SHIELDED -30° PHASE SHIFT

208 Wye Primary Volts

208Y/120 Secondary Volts

60 Hz

kVA	Catalog Number	Case Style <small>(Pages 226 - 234)</small>	Approx. Dimensions (Inches)			Approx. Weight (Lbs.)	Mtg Type W - Wall F - Floor	Wiring Diagram <small>(Pages 243 - 258)</small>
			Width	Depth	Height			
15	H1EM015BB30S	NH5	19.40	20.20	21.50	220	F or W *	SCD 35
30	H1EM030BB30S	NH6	23.90	25.00	28.75	320	F or W *	SCD 35
45	H1EM045BB30S	NH6	23.90	25.00	28.75	430	F or W *	SCD 35
75	H1EM075BB30S	NH3	26.00	25.00	38.00	640	F or W *	SCD 35
112.5	H1EM112BB30S	NH4	32.00	29.50	41.00	920	F	SCD 35
150	H1EM150BB30S	NH4	32.00	29.50	41.00	1100	F	SCD 35
225	H1EM225BB30S	NJ1	39.50	34.00	51.50	1575	F	SCD 35
300	H1EM300BB30S	NJ2	48.50	38.40	59.00	1830	F	SCD 35
500	H1EM500BB30S	NJ3	51.50	43.40	66.00	2700	F	SCD 35
750	H1EM750BB30S	NJ3	51.50	43.40	66.00	3800	F	SCD 35

*WALL MOUNTING KIT AND/OR DRIP PLATE KIT REQUIRED.
REFER TO PAGES 238 TO 239 FOR DETAILS.

208 Wye Primary Volts

480Y/277 Secondary Volts

60 Hz

kVA	Catalog Number	Case Style <small>(Pages 226 - 234)</small>	Approx. Dimensions (Inches)			Approx. Weight (Lbs.)	Mtg Type W - Wall F - Floor	Wiring Diagram <small>(Pages 243 - 258)</small>
			Width	Depth	Height			
15	H1EM015BK30S	NH5	19.40	20.20	21.50	220	F or W *	SCD 35
30	H1EM030BK30S	NH6	23.90	25.00	28.75	320	F or W *	SCD 35
45	H1EM045BK30S	NH6	23.90	25.00	28.75	430	F or W *	SCD 35
75	H1EM075BK30S	NH3	26.00	25.00	38.00	640	F or W *	SCD 35
112.5	H1EM112BK30S	NH4	32.00	29.50	41.00	920	F	SCD 35
150	H1EM150BK30S	NH4	32.00	29.50	41.00	1100	F	SCD 35
225	H1EM225BK30S	NJ1	39.50	34.00	51.50	1575	F	SCD 35
300	H1EM300BK30S	NJ2	48.50	38.40	59.00	1830	F	SCD 35
500	H1EM500BK30S	NJ3	51.50	43.40	66.00	3200	F	SCD 35
750	H1EM750BK30S	NJ3	51.50	43.40	66.00	3800	F	SCD 35

*WALL MOUNTING KIT AND/OR DRIP PLATE KIT REQUIRED.
REFER TO PAGES 238 TO 239 FOR DETAILS.

480 Wye Primary Volts

208Y/120 Secondary Volts

60 Hz

kVA	Catalog Number	Case Style <small>(Pages 226 - 234)</small>	Approx. Dimensions (Inches)			Approx. Weight (Lbs.)	Mtg Type W - Wall F - Floor	Wiring Diagram <small>(Pages 243 - 258)</small>
			Width	Depth	Height			
15	H1EM015KB30S	NH5	19.40	20.20	21.50	220	F or W *	SCD 35
30	H1EM030KB30S	NH6	23.90	25.00	28.75	320	F or W *	SCD 35
45	H1EM045KB30S	NH6	23.90	25.00	28.75	430	F or W *	SCD 35
75	H1EM075KB30S	NH3	26.00	25.00	38.00	640	F or W *	SCD 35
112.5	H1EM112KB30S	NH4	32.00	29.50	41.00	920	F	SCD 35
150	H1EM150KB30S	NH4	32.00	29.50	41.00	1100	F	SCD 35
225	H1EM225KB30S	NJ1	39.50	34.00	51.50	1575	F	SCD 35
300	H1EM300KB30S	NJ2	48.50	38.40	59.00	1830	F	SCD 35
500	H1EM500KB30S	NJ3	51.50	43.40	66.00	2700	F	SCD 35
750	H1EM750KB30S	NJ3	51.50	43.40	66.00	3800	F	SCD 35

*WALL MOUNTING KIT AND/OR DRIP PLATE KIT REQUIRED.
REFER TO PAGES 238 TO 239 FOR DETAILS.

DOE 2016 product please see the HPS Sentinel® Energy Efficient Distribution Transformer Selection Guide (DOESEL15)



ALUMINUM WOUND, THREE PHASE, SHIELDED -30° PHASE SHIFT



480 Wye Primary Volts

480Y/277 Secondary Volts

60 Hz

kVA	Catalog Number	Case Style (Pages 226 - 234)	Approx. Dimensions (Inches)			Approx. Weight (Lbs.)	Mtg Type W - Wall F - Floor	Wiring Diagram (Pages 243 - 258)
			Width	Depth	Height			
15	H1EM015KK30S	NH5	19.40	20.20	21.50	220	F or W *	SCD 35
30	H1EM030KK30S	NH6	23.90	25.00	28.75	320	F or W *	SCD 35
45	H1EM045KK30S	NH6	23.90	25.00	28.75	430	F or W *	SCD 35
75	H1EM075KK30S	NH3	26.00	25.00	38.00	640	F or W *	SCD 35
112.5	H1EM112KK30S	NH4	32.00	29.50	41.00	920	F	SCD 35
150	H1EM150KK30S	NH4	32.00	29.50	41.00	1100	F	SCD 35
225	H1EM225KK30S	NJ1	39.50	34.00	51.50	1575	F	SCD 35
300	H1EM300KK30S	NJ2	48.50	38.40	59.00	1830	F	SCD 35
500	H1EM500KK30S	NJ3	51.50	43.40	66.00	2700	F	SCD 35
750	H1EM750KK30S	NJ3	51.50	43.40	66.00	3800	F	SCD 35

*WALL MOUNTING KIT AND/OR DRIP PLATE KIT REQUIRED.
REFER TO PAGES 238 TO 239 FOR DETAILS.

600 Wye Primary Volts

208Y/120 Secondary Volts

60 Hz

kVA	Catalog Number	Case Style (Pages 226 - 234)	Approx. Dimensions (Inches)			Approx. Weight (Lbs.)	Mtg Type W - Wall F - Floor	Wiring Diagram (Pages 243 - 258)
			Width	Depth	Height			
15	H1EM015PB30S	NH5	19.40	20.20	21.50	220	F or W *	SCD 35
30	H1EM030PB30S	NH6	23.90	25.00	28.75	320	F or W *	SCD 35
45	H1EM045PB30S	NH6	23.90	25.00	28.75	430	F or W *	SCD 35
75	H1EM075PB30S	NH3	26.00	25.00	38.00	640	F or W *	SCD 35
112.5	H1EM112PB30S	NH4	32.00	29.50	41.00	920	F	SCD 35
150	H1EM150PB30S	NH4	32.00	29.50	41.00	1100	F	SCD 35
225	H1EM225PB30S	NJ1	39.50	34.00	51.50	1575	F	SCD 35
300	H1EM300PB30S	NJ2	48.50	38.40	59.00	1830	F	SCD 35
500	H1EM500PB30S	NJ3	51.50	43.40	66.00	2700	F	SCD 35
750	H1EM750PB30S	NJ3	51.50	43.40	66.00	3800	F	SCD 35

*WALL MOUNTING KIT AND/OR DRIP PLATE KIT REQUIRED.
REFER TO PAGES 238 TO 239 FOR DETAILS.

600 Wye Primary Volts

480Y/277 Secondary Volts

60 Hz

kVA	Catalog Number	Case Style (Pages 226 - 234)	Approx. Dimensions (Inches)			Approx. Weight (Lbs.)	Mtg Type W - Wall F - Floor	Wiring Diagram (Pages 243 - 258)
			Width	Depth	Height			
15	H1EM015PK30S	NH5	19.40	20.20	21.50	220	F or W *	SCD 35
30	H1EM030PK30S	NH6	23.90	25.00	28.75	320	F or W *	SCD 35
45	H1EM045PK30S	NH6	23.90	25.00	28.75	430	F or W *	SCD 35
75	H1EM075PK30S	NH3	26.00	25.00	38.00	640	F or W *	SCD 35
112.5	H1EM112PK30S	NH4	32.00	29.50	41.00	920	F	SCD 35
150	H1EM150PK30S	NH4	32.00	29.50	41.00	1100	F	SCD 35
225	H1EM225PK30S	NJ1	39.50	34.00	51.50	1575	F	SCD 35
300	H1EM300PK30S	NJ2	48.50	38.40	59.00	1830	F	SCD 35
500	H1EM500PK30S	NJ3	51.50	43.40	66.00	2700	F	SCD 35
750	H1EM750PK30S	NJ3	51.50	43.40	66.00	3800	F	SCD 35

*WALL MOUNTING KIT AND/OR DRIP PLATE KIT REQUIRED.
REFER TO PAGES 238 TO 239 FOR DETAILS.

DOE 2016 product please see the HPS Sentinel® Energy Efficient Distribution Transformer Selection Guide (DOESEL15)



COPPER WOUND, THREE PHASE, SHIELDED 0° PHASE SHIFT



208 Delta Primary Volts

208Y/120 Secondary Volts

60 Hz

kVA	Catalog Number	Case Style (Pages 226 - 234)	Approx. Dimensions (Inches)			Approx. Weight (Lbs.)	Mtg Type W - Wall F - Floor	Wiring Diagram (Pages 243 - 258)
			Width	Depth	Height			
15	H1EM015BB00	NH5	19.40	20.20	21.50	240	F or W *	SCD 35
30	H1EM030BB00	NH6	23.90	25.00	28.75	360	F or W *	SCD 35
45	H1EM045BB00	NH6	23.90	25.00	28.75	465	F or W *	SCD 35
75	H1EM075BB00	NH3	26.00	25.00	38.00	740	F or W *	SCD 35
112.5	H1EM112BB00	NH4	32.00	29.50	41.00	1100	F	SCD 35
150	H1EM150BB00	NH4	32.00	29.50	41.00	1350	F	SCD 35
225	H1EM225BB00	NJ1	39.50	34.00	51.50	1800	F	SCD 35
300	H1EM300BB00	NJ2	48.50	38.40	59.00	2250	F	SCD 35
500	H1EM500BB00	NJ3	51.50	43.40	66.00	3000	F	SCD 35
750	H1EM750BB00	NJ3	51.50	43.40	66.00	4200	F	SCD 35

*WALL MOUNTING KIT AND/OR DRIP PLATE KIT REQUIRED.
REFER TO PAGES 238 TO 239 FOR DETAILS.

208 Delta Primary Volts

480Y/277 Secondary Volts

60 Hz

kVA	Catalog Number	Case Style (Pages 226 - 234)	Approx. Dimensions (Inches)			Approx. Weight (Lbs.)	Mtg Type W - Wall F - Floor	Wiring Diagram (Pages 243 - 258)
			Width	Depth	Height			
15	H1EM015BK00	NH5	19.40	20.20	21.50	240	F or W *	SCD 35
30	H1EM030BK00	NH6	23.90	25.00	28.75	360	F or W *	SCD 35
45	H1EM045BK00	NH6	23.90	25.00	28.75	465	F or W *	SCD 35
75	H1EM075BK00	NH3	26.00	25.00	38.00	740	F or W *	SCD 35
112.5	H1EM112BK00	NH4	32.00	29.50	41.00	1100	F	SCD 35
150	H1EM150BK00	NH4	32.00	29.50	41.00	1350	F	SCD 35
225	H1EM225BK00	NJ1	39.50	34.00	51.50	1800	F	SCD 35
300	H1EM300BK00	NJ2	48.50	38.40	59.00	2250	F	SCD 35
500	H1EM500BK00	NJ3	51.50	43.40	66.00	3000	F	SCD 35
750	H1EM750BK00	NJ3	51.50	43.40	66.00	4200	F	SCD 35

*WALL MOUNTING KIT AND/OR DRIP PLATE KIT REQUIRED.
REFER TO PAGES 238 TO 239 FOR DETAILS.

480 Delta Primary Volts

208Y/120 Secondary Volts

60 Hz

kVA	Catalog Number	Case Style (Pages 226 - 234)	Approx. Dimensions (Inches)			Approx. Weight (Lbs.)	Mtg Type W - Wall F - Floor	Wiring Diagram (Pages 243 - 258)
			Width	Depth	Height			
15	H1EM015KB00	NH5	19.40	20.20	21.50	240	F or W *	SCD 35
30	H1EM030KB00	NH6	23.90	25.00	28.75	360	F or W *	SCD 35
45	H1EM045KB00	NH6	23.90	25.00	28.75	465	F or W *	SCD 35
75	H1EM075KB00	NH3	26.00	25.00	38.00	740	F or W *	SCD 35
112.5	H1EM112KB00	NH4	32.00	29.50	41.00	1100	F	SCD 35
150	H1EM150KB00	NH4	32.00	29.50	41.00	1350	F	SCD 35
225	H1EM225KB00	NJ1	39.50	34.00	51.50	1800	F	SCD 35
300	H1EM300KB00	NJ2	48.50	38.40	59.00	2250	F	SCD 35
500	H1EM500KB00	NJ3	51.50	43.40	66.00	3000	F	SCD 35
750	H1EM750KB00	NJ3	51.50	43.40	66.00	4200	F	SCD 35

*WALL MOUNTING KIT AND/OR DRIP PLATE KIT REQUIRED.
REFER TO PAGES 238 TO 239 FOR DETAILS.

DOE 2016 product please see the HPS Sentinel® Energy Efficient Distribution Transformer Selection Guide (DOESEL15)



COPPER WOUND, THREE PHASE, SHIELDED 0° PHASE SHIFT



480 Delta Primary Volts

480Y/277 Secondary Volts

60 Hz

kVA	Catalog Number	Case Style (Pages 226 - 234)	Approx. Dimensions (Inches)			Approx. Weight (Lbs.)	Mtg Type W - Wall F - Floor	Wiring Diagram (Pages 243 - 258)
			Width	Depth	Height			
15	H1EM015KK00	NH5	19.40	20.20	21.50	240	F or W *	SCD 35
30	H1EM030KK00	NH6	23.90	25.00	28.75	360	F or W *	SCD 35
45	H1EM045KK00	NH6	23.90	25.00	28.75	465	F or W *	SCD 35
75	H1EM075KK00	NH3	26.00	25.00	38.00	740	F or W *	SCD 35
112.5	H1EM112KK00	NH4	32.00	29.50	41.00	1100	F	SCD 35
150	H1EM150KK00	NH4	32.00	29.50	41.00	1350	F	SCD 35
225	H1EM225KK00	NJ1	39.50	34.00	51.50	1800	F	SCD 35
300	H1EM300KK00	NJ2	48.50	38.40	59.00	2250	F	SCD 35
500	H1EM500KK00	NJ3	51.50	43.40	66.00	3000	F	SCD 35
750	H1EM750KK00	NJ3	51.50	43.40	66.00	4200	F	SCD 35

*WALL MOUNTING KIT AND/OR DRIP PLATE KIT REQUIRED.
REFER TO PAGES 238 TO 239 FOR DETAILS.

600 Delta Primary Volts

208Y/120 Secondary Volts

60 Hz

kVA	Catalog Number	Case Style (Pages 226 - 234)	Approx. Dimensions (Inches)			Approx. Weight (Lbs.)	Mtg Type W - Wall F - Floor	Wiring Diagram (Pages 243 - 258)
			Width	Depth	Height			
15	H1EM015PB00	NH5	19.40	20.20	21.50	240	F or W *	SCD 35
30	H1EM030PB00	NH6	23.90	25.00	28.75	360	F or W *	SCD 35
45	H1EM045PB00	NH6	23.90	25.00	28.75	465	F or W *	SCD 35
75	H1EM075PB00	NH3	26.00	25.00	38.00	740	F or W *	SCD 35
112.5	H1EM112PB00	NH4	32.00	29.50	41.00	1100	F	SCD 35
150	H1EM150PB00	NH4	32.00	29.50	41.00	1350	F	SCD 35
225	H1EM225PB00	NJ1	39.50	34.00	51.50	1800	F	SCD 35
300	H1EM300PB00	NJ2	48.50	38.40	59.00	2250	F	SCD 35
500	H1EM500PB00	NJ3	51.50	43.40	66.00	3000	F	SCD 35
750	H1EM750PB00	NJ3	51.50	43.40	66.00	4200	F	SCD 35

*WALL MOUNTING KIT AND/OR DRIP PLATE KIT REQUIRED.
REFER TO PAGES 238 TO 239 FOR DETAILS.

600 Delta Primary Volts

480Y/277 Secondary Volts

60 Hz

kVA	Catalog Number	Case Style (Pages 226 - 234)	Approx. Dimensions (Inches)			Approx. Weight (Lbs.)	Mtg Type W - Wall F - Floor	Wiring Diagram (Pages 243 - 258)
			Width	Depth	Height			
15	H1EM015PK00	NH5	19.40	20.20	21.50	240	F or W *	SCD 35
30	H1EM030PK00	NH6	23.90	25.00	28.75	360	F or W *	SCD 35
45	H1EM045PK00	NH6	23.90	25.00	28.75	465	F or W *	SCD 35
75	H1EM075PK00	NH3	26.00	25.00	38.00	740	F or W *	SCD 35
112.5	H1EM112PK00	NH4	32.00	29.50	41.00	1100	F	SCD 35
150	H1EM150PK00	NH4	32.00	29.50	41.00	1350	F	SCD 35
225	H1EM225PK00	NJ1	39.50	34.00	51.50	1800	F	SCD 35
300	H1EM300PK00	NJ2	48.50	38.40	59.00	2250	F	SCD 35
500	H1EM500PK00	NJ3	51.50	43.40	66.00	3000	F	SCD 35
750	H1EM750PK00	NJ3	51.50	43.40	66.00	4200	F	SCD 35

*WALL MOUNTING KIT AND/OR DRIP PLATE KIT REQUIRED.
REFER TO PAGES 238 TO 239 FOR DETAILS.

DOE 2016 product please see the HPS Sentinel® Energy Efficient Distribution Transformer Selection Guide (DOESEL15)





COPPER WOUND, THREE PHASE, SHIELDED -30° PHASE SHIFT

208 Wye Primary Volts

208Y/120 Secondary Volts

60 Hz

kVA	Catalog Number	Case Style (Pages 226 - 234)	Approx. Dimensions (Inches)			Approx. Weight (Lbs.)	Mtg Type W - Wall F - Floor	Wiring Diagram (Pages 243 - 258)
			Width	Depth	Height			
15	H1EM015BB30	NH5	19.40	20.20	21.50	240	F or W *	SCD 35
30	H1EM030BB30	NH6	23.90	25.00	28.75	360	F or W *	SCD 35
45	H1EM045BB30	NH6	23.90	25.00	28.75	465	F or W *	SCD 35
75	H1EM075BB30	NH3	26.00	25.00	38.00	740	F or W *	SCD 35
112.5	H1EM112BB30	NH4	32.00	29.50	41.00	1100	F	SCD 35
150	H1EM150BB30	NH4	32.00	29.50	41.00	1350	F	SCD 35
225	H1EM225BB30	NJ1	39.50	34.00	51.50	1800	F	SCD 35
300	H1EM300BB30	NJ2	48.50	38.40	59.00	2250	F	SCD 35
500	H1EM500BB30	NJ3	51.50	43.40	66.00	3000	F	SCD 35
750	H1EM750BB30	NJ3	51.50	43.40	66.00	4200	F	SCD 35

*WALL MOUNTING KIT AND/OR DRIP PLATE KIT REQUIRED.
REFER TO PAGES 238 TO 239 FOR DETAILS.

208 Wye Primary Volts

480Y/277 Secondary Volts

60 Hz

kVA	Catalog Number	Case Style (Pages 226 - 234)	Approx. Dimensions (Inches)			Approx. Weight (Lbs.)	Mtg Type W - Wall F - Floor	Wiring Diagram (Pages 243 - 258)
			Width	Depth	Height			
15	H1EM015BK30	NH5	19.40	20.20	21.50	240	F or W *	SCD 35
30	H1EM030BK30	NH6	23.90	25.00	28.75	360	F or W *	SCD 35
45	H1EM045BK30	NH6	23.90	25.00	28.75	465	F or W *	SCD 35
75	H1EM075BK30	NH3	26.00	25.00	38.00	740	F or W *	SCD 35
112.5	H1EM112BK30	NH4	32.00	29.50	41.00	1100	F	SCD 35
150	H1EM150BK30	NH4	32.00	29.50	41.00	1350	F	SCD 35
225	H1EM225BK30	NJ1	39.50	34.00	51.50	1800	F	SCD 35
300	H1EM300BK30	NJ2	48.50	38.40	59.00	2250	F	SCD 35
500	H1EM500BK30	NJ3	51.50	43.40	66.00	3000	F	SCD 35
750	H1EM750BK30	NJ3	51.50	43.40	66.00	4200	F	SCD 35

*WALL MOUNTING KIT AND/OR DRIP PLATE KIT REQUIRED.
REFER TO PAGES 238 TO 239 FOR DETAILS.

480 Wye Primary Volts

208Y/120 Secondary Volts

60 Hz

kVA	Catalog Number	Case Style (Pages 226 - 234)	Approx. Dimensions (Inches)			Approx. Weight (Lbs.)	Mtg Type W - Wall F - Floor	Wiring Diagram (Pages 243 - 258)
			Width	Depth	Height			
15	H1EM015KB30	NH5	19.40	20.20	21.50	240	F or W *	SCD 35
30	H1EM030KB30	NH6	23.90	25.00	28.75	360	F or W *	SCD 35
45	H1EM045KB30	NH6	23.90	25.00	28.75	465	F or W *	SCD 35
75	H1EM075KB30	NH3	26.00	25.00	38.00	740	F or W *	SCD 35
112.5	H1EM112KB30	NH4	32.00	29.50	41.00	1100	F	SCD 35
150	H1EM150KB30	NH4	32.00	29.50	41.00	1350	F	SCD 35
225	H1EM225KB30	NJ1	39.50	34.00	51.50	1800	F	SCD 35
300	H1EM300KB30	NJ2	48.50	38.40	59.00	2250	F	SCD 35
500	H1EM500KB30	NJ3	51.50	43.40	66.00	3000	F	SCD 35
750	H1EM750KB30	NJ3	51.50	43.40	66.00	4200	F	SCD 35

*WALL MOUNTING KIT AND/OR DRIP PLATE KIT REQUIRED.
REFER TO PAGES 238 TO 239 FOR DETAILS.

DOE 2016 product please see the HPS Sentinel® Energy Efficient Distribution Transformer Selection Guide (DOESEL15)





COPPER WOUND, THREE PHASE, SHIELDED -30° PHASE SHIFT

480 Wye Primary Volts

480Y/277 Secondary Volts

60 Hz

kVA	Catalog Number	Case Style (Pages 226 - 234)	Approx. Dimensions (Inches)			Approx. Weight (Lbs.)	Mtg Type W - Wall F - Floor	Wiring Diagram (Pages 243 - 258)
			Width	Depth	Height			
15	H1EM015KK30	NH5	19.40	20.20	21.50	240	F or W *	SCD 35
30	H1EM030KK30	NH6	23.90	25.00	28.75	360	F or W *	SCD 35
45	H1EM045KK30	NH6	23.90	25.00	28.75	465	F or W *	SCD 35
75	H1EM075KK30	NH3	26.00	25.00	38.00	740	F or W *	SCD 35
112.5	H1EM112KK30	NH4	32.00	29.50	41.00	1100	F	SCD 35
150	H1EM150KK30	NH4	32.00	29.50	41.00	1350	F	SCD 35
225	H1EM225KK30	NJ1	39.50	34.00	51.50	1800	F	SCD 35
300	H1EM300KK30	NJ2	48.50	38.40	59.00	2250	F	SCD 35
500	H1EM500KK30	NJ3	51.50	43.40	66.00	3000	F	SCD 35
750	H1EM750KK30	NJ3	51.50	43.40	66.00	4200	F	SCD 35

*WALL MOUNTING KIT AND/OR DRIP PLATE KIT REQUIRED. REFER TO PAGES 238 TO 239 FOR DETAILS.

600 Wye Primary Volts

208Y/120 Secondary Volts

60 Hz

kVA	Catalog Number	Case Style (Pages 226 - 234)	Approx. Dimensions (Inches)			Approx. Weight (Lbs.)	Mtg Type W - Wall F - Floor	Wiring Diagram (Pages 243 - 258)
			Width	Depth	Height			
15	H1EM015PB30	NH5	19.40	20.20	21.50	240	F or W *	SCD 35
30	H1EM030PB30	NH6	23.90	25.00	28.75	360	F or W *	SCD 35
45	H1EM045PB30	NH6	23.90	25.00	28.75	465	F or W *	SCD 35
75	H1EM075PB30	NH3	26.00	25.00	38.00	740	F or W *	SCD 35
112.5	H1EM112PB30	NH4	32.00	29.50	41.00	1100	F	SCD 35
150	H1EM150PB30	NH4	32.00	29.50	41.00	1350	F	SCD 35
225	H1EM225PB30	NJ1	39.50	34.00	51.50	1800	F	SCD 35
300	H1EM300PB30	NJ2	48.50	38.40	59.00	2250	F	SCD 35
500	H1EM500PB30	NJ3	51.50	43.40	66.00	3000	F	SCD 35
750	H1EM750PB30	NJ3	51.50	43.40	66.00	4200	F	SCD 35

*WALL MOUNTING KIT AND/OR DRIP PLATE KIT REQUIRED. REFER TO PAGES 238 TO 239 FOR DETAILS.

600 Wye Primary Volts

480Y/277 Secondary Volts

60 Hz

kVA	Catalog Number	Case Style (Pages 226 - 234)	Approx. Dimensions (Inches)			Approx. Weight (Lbs.)	Mtg Type W - Wall F - Floor	Wiring Diagram (Pages 243 - 258)
			Width	Depth	Height			
15	H1EM015PK30	NH5	19.40	20.20	21.50	240	F or W *	SCD 35
30	H1EM030PK30	NH6	23.90	25.00	28.75	360	F or W *	SCD 35
45	H1EM045PK30	NH6	23.90	25.00	28.75	465	F or W *	SCD 35
75	H1EM075PK30	NH3	26.00	25.00	38.00	740	F or W *	SCD 35
112.5	H1EM112PK30	NH4	32.00	29.50	41.00	1100	F	SCD 35
150	H1EM150PK30	NH4	32.00	29.50	41.00	1350	F	SCD 35
225	H1EM225PK30	NJ1	39.50	34.00	51.50	1800	F	SCD 35
300	H1EM300PK30	NJ2	48.50	38.40	59.00	2250	F	SCD 35
500	H1EM500PK30	NJ3	51.50	43.40	66.00	3000	F	SCD 35
750	H1EM750PK30	NJ3	51.50	43.40	66.00	4200	F	SCD 35

*WALL MOUNTING KIT AND/OR DRIP PLATE KIT REQUIRED. REFER TO PAGES 238 TO 239 FOR DETAILS.

DOE 2016 product please see the HPS Sentinel® Energy Efficient Distribution Transformer Selection Guide (DOESEL15)



SECTION 7



SECTION 8

ENCAPSULATED DISTRIBUTION TRANSFORMERS

Commercial & Industrial Single Phase and Three Phase

HPS Fortress™ Commercial Encapsulated Transformers

Applications & Features	190
Single Phase Standard Specification	192
Single Phase Selection Tables	193
Three Phase Standard Specifications	196
Three Phase Selection Tables	197

HPS TITAN® Industrial Encapsulated Transformers

Applications	199
Features & Benefits	199
Single Phase Standard Specifications	200
Single Phase Selection Tables	201
Three Phase Standard Specifications	203
Three Phase Selection Tables	204
Enclosure Dimensional Drawings	228
Accessories - Enclosure Mounting Kits, Anti-Vibration Pads & Isolators	238
Wiring Schematic Drawings	243

HPS Fortress Features

HPS Fortress is an innovative design that provides the ideal solution for commercial applications where **quality, ease of installation, and low cost** are key.

All units are encapsulated with electrical grade silica sand and resin compounds, which completely enclose the core and coil to seal out moisture, airborne contaminants and eliminates corrosion and deterioration.

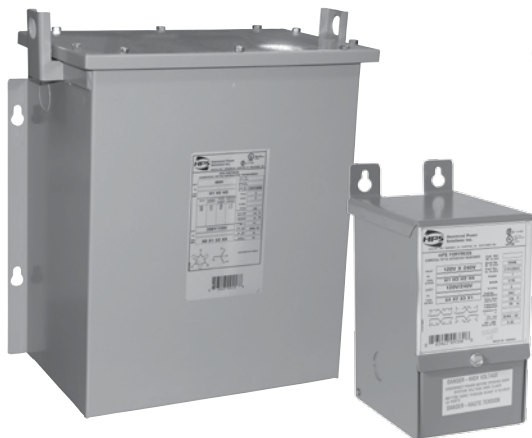
Standard Features

Features	Single Phase	Three Phase
Voltage Groups	9 standard voltage groups	8 standard voltage groups
Ratings	From 50VA to 37.5kVA	From 2kVA to 75kVA
Shield	Standard shield from 750VA and up	Standard shield on all units
Frequency	60 Hz (50Hz standard on four voltage groups)	60Hz standard on all voltage groups
Connection	Standard via copper leads	
Enclosure	Type 3R	Type 3R (type 4/12 with optional gasket kit installed)
Quality Design	All units are encapsulated with electrical grade silica sand and resin compounds, which completely enclose the core and coil to seal out moisture, airborne contaminants and eliminates corrosion and deterioration.	
Conduit Knockouts	For rear and side entry into an easily accessible and roomy wiring compartment (no knock-outs on Stainless Steel enclosures).	
Installation	Wall mounting up to 25kVA, optional wall mounting bracket available on 37.5kVA. Wall mounting template supplied.	Wall mounting up to 9kVA, optional wall mounting bracket available on 15kVA, 30kVA and 45kVA. Wall mounting template supplied.
Warranty	All HPS standard catalog encapsulated transformers come with a 10 year limited* warranty	

*(Please refer to the HPS Warranty on page 26 for full details.)

SECTION 8

Inexpensive
& easy

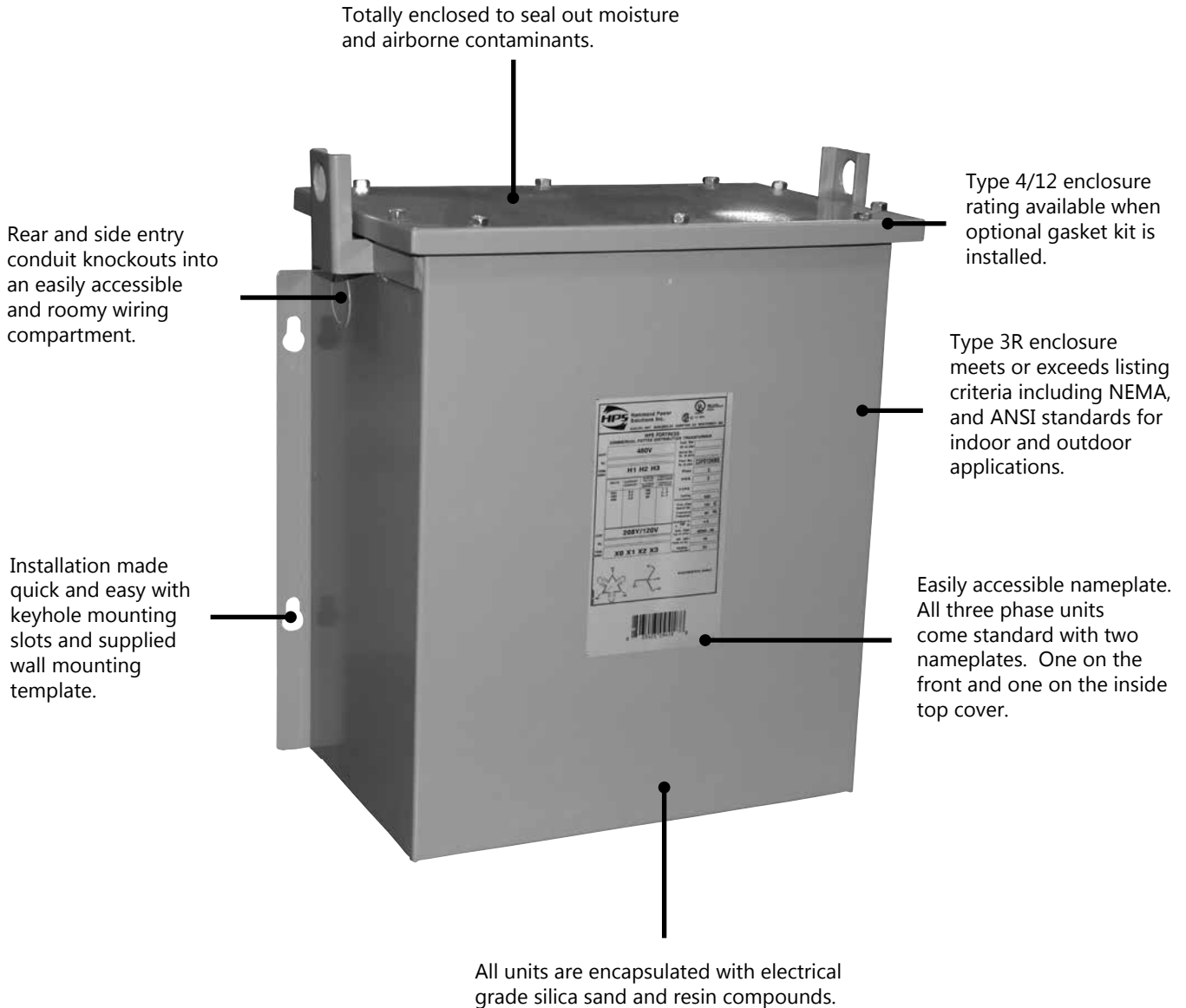


Applications

- Shopping Centers
- Schools
- Sports Complexes
- Office Buildings
- Lighting



HPS Fortress Features continued...

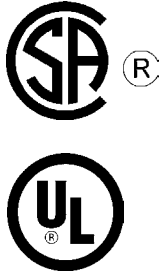


Note: Picture displayed above is a standard three phase HPS Fortress units.

HPS FORTRESS™

COMMERCIAL ENCAPSULATED DISTRIBUTION TRANSFORMERS

SINGLE PHASE STANDARD SPECIFICATIONS



0.50 TO 1 KVA



1.5 TO 37.5 KVA



	.05 kVA to 1 kVA	1.5 kVA to 37.5 kVA
UL Listed	File: E50394	File: E50394
CSA Certified	File: LR3902	File: LR3902
Frequency	60 Hz (50/60 Hz)	60 Hz (50/60 Hz)
Insulation System	130°C (80°C rise) standard on all units	180°C (115°C rise) standard on all units.
Electrostatic Shield	Standard on 0.75 kVA and up.	Standard on all units.
Encapsulation	All units are encapsulated with electrical grade silica sand and resin compounds.	All units are encapsulated with electrical grade silica sand and resin compounds.
Enclosure Type	Type 3R	Type 3R
Enclosure Finish	ANSI 61 Grey, UL50	ANSI 61 Grey, UL50
Termination	Front accessible separate high and low voltage lead wires or copper tabs.	Front accessible separate high and low voltage lead wires or copper tabs.
Conduit Knock-Outs	Standard side and rear knock-outs on all units (no knock-outs on Stainless Steel enclosures).	Standard side and rear knock-outs on all units (no knock-outs on Stainless Steel enclosures).
Impedance	Typically 5 to 10%.	Typically 1 to 5%.
Mounting	Standard Wall Mounting.	Standard Wall Mounting up to 25kVA. Optional wall mounting kit for 37.5kVA units. Lifting provisions standard on units 5 kVA and up.
Sound Level	Meets NEMA ST-20 standards.	Meets NEMA ST-20 standards

Other voltages and kVA ratings not listed in this section are available upon request. Please contact customer service for details, price and availability.

SECTION 8

COMMERCIAL ENCAPSULATED

SINGLE PHASE, NEMA 3R STYLE ENCLOSURE



120 X 240 Primary Volts

120/240 Secondary Volts

60 Hz

kVA	Catalog Number	Case Style (Pages 228 - 230)	Approx. Dimensions (Inches)			Approx. Weight (Lbs.)	Mtg Type W - Wall F - Floor	Wiring Diagram (Pages 243 - 258)
			Width	Depth	Height			
0.05	C1FC05EE	NQ0	3.69	5.06	7.19	7	W	SCD1
0.10	C1FC10EE	NQ0	3.69	5.06	7.19	7	W	SCD1
0.15	C1FC15EE	NQ0	3.69	5.06	7.19	8	W	SCD1
0.25	C1FC25EE	NQ0	3.69	5.06	7.19	9	W	SCD1
0.35	C1FC35EE	NQ1	4.31	5.56	7.19	15	W	SCD1
0.50	C1FC50EE	NQ1	4.31	5.56	7.19	16	W	SCD1
0.75	C1FC75EES	NQ2	5.06	4.56	9.30	23	W	SCD1
1	C1F1C0EES	NQ3	5.88	5.19	10.56	24	W	SCD1
1.5	C1F1C5EES	NQ3	5.88	5.19	10.56	33	W	SCD1
2	C1F002EES	NQ4	7.06	6.25	11.75	42	W	SCD1
3	C1F003EES	NQ4	7.06	6.25	11.75	55	W	SCD1
5	C1F005EES	NQ5	10.00	7.75	17.25	96	W	SCD1
7.5	C1F007EES	NQ6A	12.25	9.25	17.63	148	W	SCD2
10	C1F010EES	NQ6	12.25	9.25	20.88	178	W	SCD2

208 X 416 Primary Volts

120/240 Secondary Volts

60 Hz

kVA	Catalog Number	Case Style (Pages 228 - 230)	Approx. Dimensions (Inches)			Approx. Weight (Lbs.)	Mtg Type W - Wall F - Floor	Wiring Diagram (Pages 243 - 258)
			Width	Depth	Height			
0.05	C1FC05GE	NQ0	3.69	5.06	7.19	7	W	SCD1
0.10	C1FC10GE	NQ0	3.69	5.06	7.19	7	W	SCD1
0.15	C1FC15GE	NQ0	3.69	5.06	7.19	8	W	SCD1
0.25	C1FC25GE	NQ0	3.69	5.06	7.19	9	W	SCD1
0.35	C1FC35GE	NQ1	4.31	5.56	7.19	15	W	SCD1
0.50	C1FC50GE	NQ1	4.31	5.56	7.19	16	W	SCD1
0.75	C1FC75GES	NQ2	5.06	4.56	9.30	23	W	SCD1
1	C1F1C0GES	NQ3	5.88	5.19	10.56	24	W	SCD1
1.5	C1F1C5GES	NQ3	5.88	5.19	10.56	33	W	SCD1
2	C1F002GES	NQ4	7.06	6.25	11.75	42	W	SCD1
3	C1F003GES	NQ4	7.06	6.25	11.75	55	W	SCD1
5	C1F005GES	NQ5	10.00	7.75	17.25	96	W	SCD1
7.5	C1F007GES	NQ6A	12.25	9.25	17.63	148	W	SCD2
10	C1F010GES	NQ6	12.25	9.25	20.88	178	W	SCD2

120/208/240/277 Primary Volts

120/240 Secondary Volts

60 Hz

kVA	Catalog Number	Case Style (Pages 228 - 230)	Approx. Dimensions (Inches)			Approx. Weight (Lbs.)	Mtg Type W - Wall F - Floor	Wiring Diagram (Pages 243 - 258)
			Width	Depth	Height			
0.05	C1FC05WE	NQ0	3.69	5.06	7.19	7	W	SCD41
0.10	C1FC10WE	NQ0	3.69	5.06	7.19	7	W	SCD41
0.15	C1FC15WE	NQ0	3.69	5.06	7.19	8	W	SCD41
0.25	C1FC25WE	NQ1	4.31	5.56	7.19	10	W	SCD41
0.35	C1FC35WE	NQ2	5.06	4.56	9.30	17	W	SCD41
0.50	C1FC50WE	NQ2	5.06	4.56	9.30	25	W	SCD41
0.75	C1FC75WES	NQ2	5.06	4.56	9.30	23	W	SCD41
1	C1F1C0WES	NQ3	5.88	5.19	10.56	24	W	SCD41
1.5	C1F1C5WES	NQ3	5.88	5.19	10.56	37	W	SCD41
2	C1F002WES	NQ4	7.06	6.25	11.75	52	W	SCD41
3	C1F003WES	NQ5	10.00	7.75	17.25	65	W	SCD2
5	C1F005WES	NQ5	10.00	7.75	17.25	108	W	SCD2
7.5	C1F007WES	NQ6	12.25	9.25	20.88	171	W	SCD2
10	C1F010WES	NQ6	12.25	9.25	20.88	183	W	SCD2

SECTION 8



SINGLE PHASE, NEMA 3R STYLE ENCLOSURE



240 X 480 Primary Volts

120/240 Secondary Volts

60 Hz

kVA	Catalog Number	Case Style (Pages 228 - 230)	Approx. Dimensions (Inches)			Approx. Weight (Lbs.)	Mtg Type W - Wall F - Floor	Wiring Diagram (Pages 243 - 258)
			Width	Depth	Height			
0.05	C1FC05LE	NQ0	3.69	5.06	7.19	7	W	SCD1
0.10	C1FC10LE	NQ0	3.69	5.06	7.19	7	W	SCD1
0.15	C1FC15LE	NQ0	3.69	5.06	7.19	8	W	SCD1
0.25	C1FC25LE	NQ1	4.31	5.56	7.19	9	W	SCD1
0.35	C1FC35LE	NQ1	4.31	5.56	7.19	15	W	SCD1
0.50	C1FC50LE	NQ1	4.31	5.56	7.19	16	W	SCD1
0.75	C1FC75LES	NQ2	5.06	4.56	9.30	23	W	SCD1
1	C1F1C0LES	NQ3	5.88	5.19	10.56	24	W	SCD1
1.5	C1F1C5LES	NQ3	5.88	5.19	10.56	33	W	SCD1
2	C1F002LES	NQ4	7.06	6.25	11.75	42	W	SCD1
3	C1F003LES	NQ4	7.06	6.25	11.75	55	W	SCD1
5	C1F005LES	NQ5	10.00	7.75	17.25	115	W	SCD1
7.5	C1F007LES	NQ6A	12.25	9.25	17.63	148	W	SCD2
10	C1F010LES	NQ6	12.25	9.25	20.88	179	W	SCD2
15	C1F015LES	NQ7	14.50	10.75	21.38	265	W	SCD2
25	C1F025LES	NQ8	14.50	10.75	27.38	385	W	SCD2
37.5	C1F037LES	NQS10	21.88	18.50	31.00	598	F or W*	SCD2

*OPTIONAL WALL MOUNTING KIT REQUIRED.
REFER TO PAGE 240 FOR DETAILS.

277 Primary Volts

120/240 Secondary Volts

50/60 Hz

kVA	Catalog Number	Case Style (Pages 228 - 230)	Approx. Dimensions (Inches)			Approx. Weight (Lbs.)	Mtg Type W - Wall F - Floor	Wiring Diagram (Pages 243 - 258)
			Width	Depth	Height			
0.05	C1FC05CE	NQ0	3.69	5.06	7.19	7	W	SCD4
0.10	C1FC10CE	NQ0	3.69	5.06	7.19	7	W	SCD4
0.15	C1FC15CE	NQ0	3.69	5.06	7.19	8	W	SCD4
0.25	C1FC25CE	NQ0	3.69	5.06	7.19	9	W	SCD4
0.35	C1FC35CE	NQ2	5.06	4.56	9.30	15	W	SCD4
0.50	C1FC50CE	NQ2	5.06	4.56	9.30	15	W	SCD4
0.75	C1FC75CES	NQ2	5.06	4.56	9.30	23	W	SCD4
1	C1F1C0CES	NQ3	5.88	5.19	10.56	24	W	SCD4
1.5	C1F1C5CES	NQ3	5.88	5.19	10.56	33	W	SCD4
2	C1F002CES	NQ4	7.06	6.25	11.75	42	W	SCD4
3	C1F003CES	NQ4	7.06	6.25	11.75	55	W	SCD4
5	C1F005CES	NQ5	10.00	7.75	17.25	115	W	SCD4
7.5	C1F007CES	NQ6A	12.25	9.25	17.63	148	W	SCD2
10	C1F010CES	NQ6	12.25	9.25	20.88	178	W	SCD2

277/480 Primary Volts

208/277 Secondary Volts

50/60 Hz

kVA	Catalog Number	Case Style (Pages 228 - 230)	Approx. Dimensions (Inches)			Approx. Weight (Lbs.)	Mtg Type W - Wall F - Floor	Wiring Diagram (Pages 243 - 258)
			Width	Depth	Height			
0.05	C1FC05HR	NQ0	3.69	5.06	7.19	7	W	SCD42
0.10	C1FC10HR	NQ0	3.69	5.06	7.19	8	W	SCD42
0.15	C1FC15HR	NQ0	3.69	5.06	7.19	11	W	SCD42
0.25	C1FC25HR	NQ1	4.31	5.56	7.19	12	W	SCD42
0.35	C1FC35HR	NQ2	5.06	4.56	9.30	15	W	SCD42
0.50	C1FC50HR	NQ2	5.06	4.56	9.30	18	W	SCD42
0.75	C1FC75HRS	NQ3	5.88	5.19	10.56	25	W	SCD42
1	C1F1C0HRS	NQ3	5.88	5.19	10.56	31	W	SCD42
1.5	C1F1C5HRS	NQ4	7.06	6.25	11.75	39	W	SCD42
2	C1F002HRS	NQ4	7.06	6.25	11.75	54	W	SCD42
3	C1F003HRS	NQ5	10.00	7.75	17.25	80	W	SCD43
5	C1F005HRS	NQ5	10.00	7.75	17.25	156	W	SCD43
7.5	C1F007HRS	NQ6	12.25	9.25	20.88	188	W	SCD43
10	C1F010HRS	NQ6	12.25	9.25	20.88	179	W	SCD43



SECTION 8

SECTION 8

COMMERCIAL ENCAPSULATED

SINGLE PHASE, NEMA 3R STYLE ENCLOSURE



347/380 Primary Volts 120/240 Secondary Volts

50/60 Hz

kVA	Catalog Number	Case Style (Pages 228 - 230)	Approx. Dimensions (Inches)			Approx. Weight (Lbs.)	Mtg Type W - Wall F - Floor	Wiring Diagram (Pages 243 - 258)
			Width	Depth	Height			
0.05	C1FC05JE	NQ0	3.69	5.06	7.19	7	W	SCD33
0.10	C1FC10JE	NQ0	3.69	5.06	7.19	7	W	SCD33
0.15	C1FC15JE	NQ0	3.69	5.06	7.19	8	W	SCD33
0.25	C1FC25JE	NQ0	3.69	5.06	7.19	9	W	SCD33
0.35	C1FC35JE	NQ1	4.31	5.56	7.19	14	W	SCD33
0.50	C1FC50JE	NQ1	4.31	5.56	7.19	14	W	SCD33
0.75	C1FC75JES	NQ2	5.06	4.56	9.30	23	W	SCD33
1	C1F1C0JES	NQ3	5.88	5.19	10.56	32	W	SCD33
1.5	C1F1C5JES	NQ3	5.88	5.19	10.56	35	W	SCD33
2	C1F002JES	NQ4	7.06	6.25	11.75	51	W	SCD33
3	C1F003JES	NQ5	10.00	7.75	17.25	98	W	SCD44
5	C1F005JES	NQ5	10.00	7.75	17.25	120	W	SCD44
7.5	C1F007JES	NQ6A	12.25	9.25	17.63	162	W	SCD44
10	C1F010JES	NQ6	12.25	9.25	20.88	194	W	SCD44

600 Primary Volts 120/240 Secondary Volts

60 Hz

kVA	Catalog Number	Case Style (Pages 228 - 230)	Approx. Dimensions (Inches)			Approx. Weight (Lbs.)	Mtg Type W - Wall F - Floor	Wiring Diagram (Pages 243 - 258)
			Width	Depth	Height			
0.05	C1FC05PE	NQ0	3.69	5.06	7.19	7	W	SCD4
0.10	C1FC10PE	NQ0	3.69	5.06	7.19	7	W	SCD4
0.15	C1FC15PE	NQ0	3.69	5.06	7.19	8	W	SCD4
0.25	C1FC25PE	NQ0	3.69	5.06	7.19	9	W	SCD4
0.35	C1FC35PE	NQ1	4.31	5.56	7.19	15	W	SCD4
0.50	C1FC50PE	NQ1	4.31	5.56	7.19	16	W	SCD4
0.75	C1FC75PES	NQ2	5.06	4.56	9.30	23	W	SCD4
1	C1F1C0PES	NQ3	5.88	5.19	10.56	24	W	SCD4
1.5	C1F1C5PES	NQ3	5.88	5.19	10.56	33	W	SCD4
2	C1F002PES	NQ4	7.06	6.25	11.75	42	W	SCD4
3	C1F003PES	NQ4	7.06	6.25	11.75	55	W	SCD4
5	C1F005PES	NQ5	10.00	7.75	17.25	120	W	SCD4
7.5	C1F007PES	NQ6A	12.25	9.25	17.63	148	W	SCD5
10	C1F010PES	NQ6	12.25	9.25	20.88	179	W	SCD5
15	C1F015PES	NQ7	14.50	10.75	21.38	265	W	SCD5
25	C1F025PES	NQ8	14.50	10.75	27.38	385	W	SCD5
37.5	C1F037PES	NQS10	21.88	18.50	31.00	598	F or W*	SCD5

*OPTIONAL WALL MOUNTING KIT REQUIRED.
REFER TO PAGE 240 FOR DETAILS.

Export Model



190/200/208/220/240¹ X 380/400/416/440/480¹ Primary Volts 120/240 Secondary Volts 50/60 Hz

kVA	Catalog Number	Case Style (Pages 228 - 230)	Approx. Dimensions (Inches)			Approx. Weight (Lbs.)	Mtg Type W - Wall F - Floor	Wiring Diagram (Pages 243 - 258)
			Width	Depth	Height			
0.05	C1FC05XE	NQ0	3.69	5.06	7.19	7	W	SCD28
0.10	C1FC10XE	NQ0	3.69	5.06	7.19	7	W	SCD28
0.15	C1FC15XE	NQ0	3.69	5.06	7.19	9	W	SCD28
0.25	C1FC25XE	NQ0	3.69	5.06	7.19	10	W	SCD28
0.35	C1FC35XE	NQ1	4.31	5.56	7.19	15	W	SCD28
0.50	C1FC50XE	NQ1	4.31	5.56	7.19	16	W	SCD28
0.75	C1FC75XES	NQ2	5.06	4.56	9.30	24	W	SCD28
1	C1F1C0XES	NQ3	5.88	5.19	10.56	32	W	SCD28
1.5	C1F1C5XES	NQ4	7.06	6.25	11.75	37	W	SCD28
2	C1F002XES	NQ4	7.06	6.25	11.75	52	W	SCD28
3	C1F003XES	NQ5	10.00	7.75	17.25	97	W	SCD2
5	C1F005XES	NQ5	10.00	7.75	17.25	120	W	SCD2
7.5	C1F007XES	NQ6A	12.25	9.25	17.63	148	W	SCD2
10	C1F010XES	NQ6	12.25	9.25	20.88	179	W	SCD2

Note ¹: The primary voltage ratio of 240 or 480 is available at 60Hz only with a secondary voltage of approximately 130/262V.



HPS FORTRESS™

COMMERCIAL ENCAPSULATED DISTRIBUTION TRANSFORMERS THREE PHASE STANDARD SPECIFICATIONS

2 TO 3 KVA



6 TO 75 KVA



	2 kVA to 3 kVA	6 kVA to 75 kVA
UL Listed	File: E50394	File: E50394
CSA Certified	File: LR3902	File: LR3902
Frequency	60 Hz (50/60 Hz)	60 Hz (50/60 Hz)
Insulation System	130°C (80°C rise) standard on all units.	180°C (115°C rise) standard on all units.
Electrostatic Shield	Standard on all units.	Standard on all units.
Encapsulation	All units are encapsulated with electrical grade silica sand and resin compounds.	All units are encapsulated with electrical grade silica sand and resin compounds.
Enclosure Type	Type 3R	Type 3R
Enclosure Finish	ANSI 61 Grey, UL50	ANSI 61 Grey, UL50
Termination	Top accessible separate high and low voltage lead wires or copper tabs.	Top accessible separate high and low voltage lead wires or copper tabs.
Conduit Knock-Outs	Standard side and rear knock-outs on all units (no knock-outs on Stainless Steel enclosures).	Standard side and rear knock-outs on all units (no knock-outs on Stainless Steel enclosures).
Impedance	Typically 4 to 8%	Typically 1 to 5%.
Mounting	Standard Wall Mounting Lifting provisions standard on all units.	Standard Wall Mounting up to (but not including) 15 kVA (optional wall mounting kit available for 15 kVA, 30 kVA and 45 kVA). Floor mount only over 45 kVA. Lifting provisions standard 6 kVA to 75 kVA.
Sound Level	Meets NEMA ST-20 standards.	Meets NEMA ST-20 standards.

Other voltages and kVA ratings not listed in this section are available upon request. Please contact customer service for details, price and availability.

SECTION 8

COMMERCIAL ENCAPSULATED

THREE PHASE, NEMA 3R STYLE ENCLOSURE



208 Primary Volts

208Y/120 Secondary Volts

60 Hz

kVA	Catalog Number	Case Style (Pages 228 - 230)	Approx. Dimensions (Inches)			Approx. Weight (Lbs.)	Mtg Type W - Wall F - Floor	Wiring Diagram (Pages 243 - 258)
			Width	Depth	Height			
2	C3F002BBS	NQT3	12.38	5.44	11.13	50	W	SCD8
3	C3F003BBS	NQT3	12.38	5.44	11.13	70	W	SCD8
6	C3F006BBS	NQT5	16.63	10.25	16.63	140	W	SCD8
9	C3F009BBS	NQT6	19.25	10.44	16.63	210	W	SCD8
15	C3F015BBS	NQT7	20.25	13.00	23.38	350	F or W*	SCD8
30	C3F030BBS	NQT8	22.25	13.00	28.38	525	F or W*	SCD9
45	C3F045BBS	NQT9	31.50	16.00	29.88	700	F or W*	SCD9
75	C3F075BBS	NQT9A	34.63	18.50	36.75	1420	F	SCD9

*OPTIONAL WALL MOUNTING KIT REQUIRED.
REFER TO PAGE 240 FOR DETAILS.

208 Primary Volts

480Y/277 Secondary Volts

60 Hz

kVA	Catalog Number	Case Style (Pages 228 - 230)	Approx. Dimensions (Inches)			Approx. Weight (Lbs.)	Mtg Type W - Wall F - Floor	Wiring Diagram (Pages 243 - 258)
			Width	Depth	Height			
2	C3F002BKS	NQT3	12.38	5.44	11.13	50	W	SCD23
3	C3F003BKS	NQT3	12.38	5.44	11.13	70	W	SCD23
6	C3F006BKS	NQT5	16.63	10.25	16.63	140	W	SCD23
9	C3F009BKS	NQT6	19.25	10.44	16.63	210	W	SCD23
15	C3F015BKS	NQT7	20.25	13.00	23.38	350	F or W*	SCD23
30	C3F030BKS	NQT8	22.25	13.00	28.38	525	F or W*	SCD26
45	C3F045BKS	NQT9	31.50	16.00	29.88	700	F or W*	SCD26
75	C3F075BKS	NQT9A	34.63	18.50	36.75	1420	F	SCD26

*OPTIONAL WALL MOUNTING KIT REQUIRED.
REFER TO PAGE 240 FOR DETAILS.

240 Primary Volts

208Y/120 Secondary Volts

60 Hz

kVA	Catalog Number	Case Style (Pages 228 - 230)	Approx. Dimensions (Inches)			Approx. Weight (Lbs.)	Mtg Type W - Wall F - Floor	Wiring Diagram (Pages 243 - 258)
			Width	Depth	Height			
2	C3F002DBS	NQT3	12.38	5.44	11.13	50	W	SCD8
3	C3F003DBS	NQT3	12.38	5.44	11.13	70	W	SCD8
6	C3F006DBS	NQT5	16.63	10.25	16.63	140	W	SCD8
9	C3F009DBS	NQT6	19.25	10.44	16.63	210	W	SCD8
15	C3F015DBS	NQT7	20.25	13.00	23.38	350	F or W*	SCD8
30	C3F030DBS	NQT8	22.25	13.00	28.38	525	F or W*	SCD9
45	C3F045DBS	NQT9	31.50	16.00	29.88	700	F or W*	SCD9
75	C3F075DBS	NQT9A	34.63	18.50	36.75	1420	F	SCD9

*OPTIONAL WALL MOUNTING KIT REQUIRED.
REFER TO PAGE 240 FOR DETAILS.

240 Primary Volts

480Y/277 Secondary Volts

60 Hz

kVA	Catalog Number	Case Style (Pages 228 - 230)	Approx. Dimensions (Inches)			Approx. Weight (Lbs.)	Mtg Type W - Wall F - Floor	Wiring Diagram (Pages 243 - 258)
			Width	Depth	Height			
2	C3F002DKS	NQT3	12.38	5.44	11.13	50	W	SCD23
3	C3F003DKS	NQT3	12.38	5.44	11.13	70	W	SCD23
6	C3F006DKS	NQT5	16.63	10.25	16.63	140	W	SCD23
9	C3F009DKS	NQT6	19.25	10.44	16.63	210	W	SCD23
15	C3F015DKS	NQT7	20.25	13.00	23.38	350	F or W*	SCD23
30	C3F030DKS	NQT8	22.25	13.00	28.38	525	F or W*	SCD26
45	C3F045DKS	NQT9	31.50	16.00	29.88	700	F or W*	SCD26
75	C3F075DKS	NQT9A	34.63	18.50	36.75	1420	F	SCD26

*OPTIONAL WALL MOUNTING KIT REQUIRED.
REFER TO PAGE 240 FOR DETAILS.



THREE PHASE, NEMA 3R STYLE ENCLOSURE



480 Primary Volts

208Y/120 Secondary Volts

60 Hz

kVA	Catalog Number	Case Style (Pages 228 - 230)	Approx. Dimensions (Inches)			Approx. Weight (Lbs.)	Mtg Type W - Wall F - Floor	Wiring Diagram (Pages 243 - 258)
			Width	Depth	Height			
2	C3F002KBS	NQT3	12.38	5.44	11.13	50	W	SCD8
3	C3F003KBS	NQT3	12.38	5.44	11.13	70	W	SCD8
6	C3F006KBS	NQT5	16.63	10.25	16.63	140	W	SCD8
9	C3F009KBS	NQT6	19.25	10.44	16.63	210	W	SCD8
15	C3F015KBS	NQT7	20.25	13.00	23.38	350	F or W*	SCD8
30	C3F030KBS	NQT8	22.25	13.00	28.38	525	F or W*	SCD9
45	C3F045KBS	NQT9	31.50	16.00	29.88	700	F or W*	SCD9
75	C3F075KBS	NQT9A	34.63	18.50	36.75	1420	F	SCD9

*OPTIONAL WALL MOUNTING KIT REQUIRED.
REFER TO PAGE 240 FOR DETAILS.

480 Primary Volts

240D Secondary Volts

60 Hz

kVA	Catalog Number	Case Style (Pages 228 - 230)	Approx. Dimensions (Inches)			Approx. Weight (Lbs.)	Mtg Type W - Wall F - Floor	Wiring Diagram (Pages 243 - 258)
			Width	Depth	Height			
2	C3F002KDS	NQT3	12.38	5.44	11.13	50	W	SCD12
3	C3F003KDS	NQT3	12.38	5.44	11.13	70	W	SCD12
6	C3F006KDS	NQT5	16.63	10.25	16.63	140	W	SCD12
9	C3F009KDS	NQT6	19.25	10.44	16.63	210	W	SCD12
15	C3F015KDS	NQT7	20.25	13.00	23.38	350	F or W*	SCD12
30	C3F030KDS	NQT8	22.25	13.00	28.38	525	F or W*	SCD38
45	C3F045KDS	NQT9	31.50	16.00	29.88	700	F or W*	SCD38
75	C3F075KDS	NQT9A	34.63	18.50	36.75	1420	F	SCD38

*OPTIONAL WALL MOUNTING KIT REQUIRED.
REFER TO PAGE 240 FOR DETAILS.

600 Primary Volts

208Y/120 Secondary Volts

60 Hz

kVA	Catalog Number	Case Style (Pages 228 - 230)	Approx. Dimensions (Inches)			Approx. Weight (Lbs.)	Mtg Type W - Wall F - Floor	Wiring Diagram (Pages 243 - 258)
			Width	Depth	Height			
2	C3F002PBS	NQT3	12.38	5.44	11.13	50	W	SCD8
3	C3F003PBS	NQT3	12.38	5.44	11.13	70	W	SCD8
6	C3F006PBS	NQT5	16.63	10.25	16.63	140	W	SCD8
9	C3F009PBS	NQT6	19.25	10.44	16.63	210	W	SCD8
15	C3F015PBS	NQT7	20.25	13.00	23.38	350	F or W*	SCD8
30	C3F030PBS	NQT8	22.25	13.00	28.38	525	F or W*	SCD9
45	C3F045PBS	NQT9	31.50	16.00	29.88	700	F or W*	SCD9
75	C3F075PBS	NQT9A	34.63	18.50	36.75	1420	F	SCD9

*OPTIONAL WALL MOUNTING KIT REQUIRED.
REFER TO PAGE 240 FOR DETAILS.

600 Primary Volts

240D Secondary Volts

60 Hz

kVA	Catalog Number	Case Style (Pages 228 - 230)	Approx. Dimensions (Inches)			Approx. Weight (Lbs.)	Mtg Type W - Wall F - Floor	Wiring Diagram (Pages 243 - 258)
			Width	Depth	Height			
2	C3F002PDS	NQT3	12.38	5.44	11.13	50	W	SCD12
3	C3F003PDS	NQT3	12.38	5.44	11.13	70	W	SCD12
6	C3F006PDS	NQT5	16.63	10.25	16.63	140	W	SCD12
9	C3F009PDS	NQT6	19.25	10.44	16.63	210	W	SCD12
15	C3F015PDS	NQT7	20.25	13.00	23.38	350	F or W*	SCD12
30	C3F030PDS	NQT8	22.25	13.00	28.38	525	F or W*	SCD45
45	C3F045PDS	NQT9	31.50	16.00	29.88	700	F or W*	SCD45
75	C3F075PDS	NQT9A	34.63	18.50	36.75	1420	F	SCD45

*OPTIONAL WALL MOUNTING KIT REQUIRED.
REFER TO PAGE 240 FOR DETAILS.



SECTION 8

HPS Titan® Applications

The HPS Titan® line of transformers have been designed for installation in harsh environments where efficiency and performance are key. Typical applications include institutional, commercial, industrial, petrochemical, marine, mining, etc. HPS Titan® designs provide:

- **Superior Performance**
- **Compact Efficient Design**
- **Easy Installation and Hook-up**

HHPS Titan® Series transformers are UL Listed for “Class 1, Division 2, Groups A, B, C, D and Class I, Zone 2 Group IIC, T3C Hazardous Locations” and also meet ABS Type Approval for “Marine Duty Service and Offshore Applications - Electrical Distribution and Propulsion”. With a North American Temperature Classification of T3C/T3A, the HPS Titan Series will remain cool under load.



HPS Titan® Features and Benefits

Features	Single Phase	Three Phase
Voltage Groups	5 standard voltage groups	5 standard voltage groups
Ratings	0.5 kVA to 37.5 kVA	2 kVA to 150 kVA
Frequency	60 Hz (50/60 Hz on units with 380V primary)	60 Hz (50/60 Hz on units with 380V primary)
Electrostatic Shield	Optional on 0.50 kVA Standard on 0.75 kVA to 37.5 kVA	Standard on all units
Encapsulated	All units are encapsulated with electrical grade silica sand and resin compounds	
Enclosure	Heavy duty type 3R Optional type 4, 4X (stainless steel) and 12	Heavy duty type 3R Optional type 4, 4X (stainless steel) and 12 Optional gasket kit
Terminations	Front accessible separated high and low voltage lead wires or copper tabs	Top accessible separate high and low voltage lead wires or copper tabs
Insulation System	130°C (80°C rise) up to 1 kVA - standard 180°C (115°C rise) 1.5 kVA to 37.5 kVA - standard 180°C (80°C rise) 1.5 kVA to 37.5 kVA - optional	130°C (80°C rise) up to 5 kVA - standard 180°C (115°C rise) 6 kVA to 150 kVA - standard 180°C (80°C rise) 6 kVA to 150 kVA - optional
Mounting	Standard wall mounting with keyhole mounting slots. Lifting provisions standard from 5 kVA to 37.5 kVA.	Standard wall mounting with keyhole mounting slots 2 kVA to 15 kVA (Optional wall mounting kit available for 30 kVA and 45 kVA). Floor Mounted 25 kVA to 150 kVA. Lifting provisions standard on 6 kVA to 150 kVA.
Conduit Knockouts	For rear and side entry into an easily accessible and spacious wiring compartment (no knock-outs on Stainless Steel enclosures).	
Approvals	ANSI/ISA 12.12.10 - File No. E258346 (Class 1, Division 2, Groups A, B, C, D and Class I, Zone 2, Group IIC, T3 Hazardous Locations) T3C Temperature Classification for 80°C rise units T3A Temperature Classification for 115°C rise units UL 508 Listed - File No. E258346 UL Certificate No. 14-HS1174640-PDA (Marine Duty Service and Offshore Applications) ABS Type Approval	
Warranty	All HPS standard catalog encapsulated transformers come with a 10 year limited warranty (please refer to the HPS standard Catalog Transformer Products Warranty for full details)	



HPS TITAN® TRANSFORMERS FOR HARSH ENVIRONMENTS AND HAZARDOUS LOCATIONS

SINGLE PHASE STANDARD SPECIFICATIONS

0.50 TO 1 KVA



1.5 TO 37.5 KVA



SECTION 8

	0.50 kVA to 1 kVA	1.5 kVA to 37.5 kVA
ANSI/ISA 12.12.10	File No. E258346 (Class 1, Division 2, Groups A, B, C, D and Class I, Zone 2, Group IIC, T3 Hazardous Locations) - T3C Temperature Classification	File No. E258346 (Class 1, Division 2, Groups A, B, C, D and Class I, Zone 2, Group IIC, T3 Hazardous Locations) - T3C/T3A Temperature Classification
ABS Type Approval (RQS)	Certificate No.: 14-HS1174640-PDA	Certificate No.: 14-HS1174640-PDA
North American Temperature Classification	T3C Approval	T3C Approval for 80°C rise units T3A Approval for 115°C rise units
Frequency	60 Hz (50/60 Hz on units with 380V primary)	60 Hz (50/60 Hz on units with 380V primary)
Insulation System	130°C (80°C rise) standard on all units.	180°C (115°C rise) standard on all units. Optional 180°C (80°C rise) available.
Electrostatic Shield	Optional on 0.50 kVA. Standard on 0.75 kVA and 1 kVA.	Standard on all units.
Encapsulation	All units are encapsulated with electrical grade silica sand and resin compounds.	All units are encapsulated with electrical grade silica sand and resin compounds.
Enclosure Type	Heavy duty type 3R Optional type 4, 4X (stainless steel) and 12	Heavy duty type 3R Optional type 4, 4X (stainless steel) and 12
Enclosure Finish	ANSI 61 Grey, UL50	ANSI 61 Grey, UL50
Termination	Front accessible separate high and low voltage lead wires or copper tabs.	Front accessible separate high and low voltage lead wires or copper tabs.
Conduit Knock-Outs	Standard side and rear knock-outs on all units (no knock-outs on Stainless Steel enclosures).	Standard side and rear knock-outs on all units (no knock-outs on Stainless Steel enclosures).
Impedance	Typically 5 to 10% on 0.50 kVA. Typically 1 to 5% on 0.75 kVA and 1 kVA	Typically 1 to 5%.
Mounting	Standard Wall Mounting Lifting provisions standard on all units.	Standard Wall Mounting Lifting provisions standard on units.
Seismic	Seismically certified in accordance with IBC 2009; Section 1613 Earthquake Loads, for $S_{DS} \leq 2.00g$, $z/h = 1.0$, and $I_p = 1.5$	Seismically certified in accordance with IBC 2009; Section 1613 Earthquake Loads, for $S_{DS} \leq 2.00g$, $z/h = 1.0$, and $I_p = 1.5$
Sound Level	Meets NEMA ST-20 standards. (Optional low noise units available on request)	Meets NEMA ST-20 standards. (Optional low noise units available on request)

Other voltages and kVA ratings not listed in this section are available upon request. Please contact customer service for details, price and availability.

All HPS TITAN single phase transformers are UL Listed for "Class 1, Division 2, Groups A, B, C, D and Class I, Zone 2, Group IIC, T3 Hazardous Locations" and are ABS Type Approved for "Marine Duty Service and Offshore Applications - Electrical Distribution and Propulsion".



SINGLE PHASE, NEMA 3R STYLE ENCLOSURE



208/240/277 Primary Volts

120/240 Secondary Volts

60 Hz

kVA	Catalog Number	Case Style (Pages 228 - 230)	Approx. Dimensions (Inches)			Approx. Weight (Lbs.)	Mtg Type W - Wall F - Floor	Wiring Diagram (Pages 243 - 258)
			Width	Depth	Height			
0.50	QC50YECB	NQ2	5.06	4.56	9.30	19	W	SCD 18
0.75	QC75YEKB	NQ2	5.06	4.56	9.30	21	W	SCD 18
1	Q1C0YEKB	NQ3	5.88	5.19	10.56	28	W	SCD 18
1.5	Q1C5YEKF	NQ3	5.88	5.19	10.56	36	W	SCD 18
2	Q002YEKF	NQ4	7.06	6.25	11.75	44	W	SCD 18
3	Q003YEKF	NQ4	7.06	6.25	11.75	56	W	SCD 18
5	Q005YEKF	NQ5	10.00	7.75	17.25	134	W	SCD 6
7.5	Q007YEKF	NQ5	10.00	7.75	17.25	160	W	SCD 6
10	Q010YEKF	NQ6	12.25	9.25	20.88	204	W	SCD 6
15	Q015YEKF	NQ6	12.25	9.25	20.88	248	W	SCD 6
25	Q025YEKF	NQ7	14.50	10.75	21.38	345	W	SCD 6
37.5	Q037YEKF	NQ8	14.50	10.75	27.38	476	W	SCD 6

For shielded 0.50 kVA units, replace the suffix "CB" with a "KB".

Note: 80°C rise units are T3C; 115°C rise units are T3A

Units ending with letter "B" are 80°C rise

Units ending with letter "F" are 115°C rise; 80°C rise optional replace suffix "F" with "B"

347/380 Primary Volts



120/240 Secondary Volts

50/60 Hz

kVA	Catalog Number	Case Style (Pages 228 - 230)	Approx. Dimensions (Inches)			Approx. Weight (Lbs.)	Mtg Type W - Wall F - Floor	Wiring Diagram (Pages 243 - 258)
			Width	Depth	Height			
0.50	QC50FECB	NQ2	5.06	4.56	9.30	18	W	SCD 33
0.75	QC75FEKB	NQ2	5.06	4.56	9.30	20	W	SCD 33
1	Q1C0FEKB	NQ3	5.88	5.19	10.56	26	W	SCD 33
1.5	Q1C5FEKF	NQ3	5.88	5.19	10.56	36	W	SCD 33
2	Q002FEKF	NQ4	7.06	6.25	11.75	55	W	SCD 33
3	Q003FEKF	NQ5	10.00	7.75	17.25	98	W	SCD 44
5	Q005FEKF	NQ5	10.00	7.75	17.25	130	W	SCD 44
7.5	Q007FEKF	NQ6	12.25	9.25	20.88	185	W	SCD 44
10	Q010FEKF	NQ6	12.25	9.25	20.88	155	W	SCD 44
15	Q015FEKF	NQ6	12.25	9.25	20.88	248	W	SCD 44
25	Q025FEKF	NQ7	14.50	10.75	21.38	345	W	SCD 44
37.5	Q037FEKF	NQ8	14.50	10.75	27.38	476	W	SCD 48

For shielded 0.50 kVA units, replace the suffix "CB" with a "KB".

Note: 80°C rise units are T3C; 115°C rise units are T3A

Units ending with letter "B" are 80°C rise

Units ending with letter "F" are 115°C rise; 80°C rise optional replace suffix "F" with "B"

240 X 480 Primary Volts

120/240 Secondary Volts

60 Hz

kVA	Catalog Number	Case Style (Pages 228 - 230)	Approx. Dimensions (Inches)			Approx. Weight (Lbs.)	Mtg Type W - Wall F - Floor	Wiring Diagram (Pages 243 - 258)
			Width	Depth	Height			
0.50	QC50LECB	NQ2	5.06	4.56	9.30	23	W	SCD 1
0.75	QC75LEKB	NQ2	5.06	4.56	9.30	24	W	SCD 1
1	Q1C0LEKB	NQ3	5.88	5.19	10.56	28	W	SCD 1
1.5	Q1C5LEKF	NQ3	5.88	5.19	10.56	35	W	SCD 1
2	Q002LEKF	NQ4	7.06	6.25	11.75	47	W	SCD 1
3	Q003LEKF	NQ4	10.00	7.75	17.25	62	W	SCD 1
5	Q005LEKF	NQ5	10.00	7.75	17.25	131	W	SCD 1
7.5	Q007LEKF	NQ5	10.00	7.75	17.25	155	W	SCD 2
10	Q010LEKF	NQ6	12.25	9.25	20.88	220	W	SCD 2
15	Q015LEKF	NQ6	12.25	9.25	20.88	248	W	SCD 2
25	Q025LEKF	NQ7	14.50	10.75	21.38	345	W	SCD 2
37.5	Q037LEKF	NQ8	14.50	10.75	27.38	476	W	SCD 2

For shielded 0.50 kVA units, replace the suffix "CB" with a "KB".

Note: 80°C rise units are T3C; 115°C rise units are T3A

Units ending with letter "B" are 80°C rise

Units ending with letter "F" are 115°C rise; 80°C rise optional replace suffix "F" with "B"





600 Primary Volts

120/240 Secondary Volts

60 Hz

kVA	Catalog Number	Case Style (Pages 228 - 230)	Approx. Dimensions (Inches)			Approx. Weight (Lbs.)	Mtg Type W - Wall F - Floor	Wiring Diagram (Pages 243 - 258)
			Width	Depth	Height			
0.50	QC50PECB	NQ2	5.06	4.56	9.30	15	W	SCD 4
0.75	QC75PEKB	NQ2	5.06	4.56	9.30	18	W	SCD 4
1	Q1C0PEKB	NQ3	5.88	5.19	10.56	27	W	SCD 4
1.5	Q1C5PEKF	NQ3	5.88	5.19	10.56	31	W	SCD 4
2	Q002PEKF	NQ4	7.06	6.25	11.75	40	W	SCD 4
3	Q003PEKF	NQ4	7.06	6.25	11.75	52	W	SCD 4
5	Q005PEKF	NQ5	10.00	7.75	17.25	114	W	SCD 4
7.5	Q007PEKF	NQ5	10.00	7.75	17.25	129	W	SCD 5
10	Q010PEKF	NQ6	12.25	9.25	20.88	197	W	SCD 5
15	Q015PEKF	NQ6	12.25	9.25	20.88	234	W	SCD 5
25	Q025PEKF	NQ7	14.50	10.75	21.38	285	W	SCD 6
37.5	Q037PEKF	NQ8	14.50	10.75	27.38	454	W	SCD 6

For shielded 0.50 kVA units, replace the suffix "CB" with a "KB".

Note: 80°C rise units are T3C; 115°C rise units are T3A

Units ending with letter "B" are 80°C rise

Units ending with letter "F" are 115°C rise; 80°C rise optional replace suffix "F" with "B"

Export Model

190/200/208/220/240¹ X 380/400/415/440/480¹ Primary Volts 120/240 Secondary Volts 50/60 Hz

kVA	Catalog Number	Case Style (Pages 228 - 230)	Approx. Dimensions (Inches)			Approx. Weight (Lbs.)	Mtg Type W - Wall F - Floor	Wiring Diagram (Pages 243 - 258)
			Width	Depth	Height			
0.50	QC50XEKB	NQ2	5.06	4.56	9.30	15	W	SCD 28
0.75	QC75XEKB	NQ2	5.06	4.56	9.30	20	W	SCD 28
1	Q1C0XEKB	NQ3	5.88	5.19	10.56	32	W	SCD 28
1.5	Q1C5XEKF	NQ3	5.88	5.19	10.56	35	W	SCD 28
2	Q002XEKF	NQ4	7.06	6.25	11.75	54	W	SCD 28
3	Q003XEKF	NQ5	10.00	7.75	17.25	105	W	SCD 2
5	Q005XEKF	NQ5	10.00	7.75	17.25	138	W	SCD 2
7.5	Q007XEKF	NQ6	12.25	9.25	20.88	189	W	SCD 2
10	Q010XEKF	NQ6	12.25	9.25	20.88	222	W	SCD 2
15	Q015XEKF	NQ7	14.5	10.75	21.38	300	W	SCD 2
25	Q025XEKF							
37.5	Q037XEKF							

For shielded 0.50 kVA units, replace the suffix "CB" with a "KB".

The above export model units carry the CE Mark.

Units ending with letter "B" are 80°C rise

Note: 80°C rise units are T3C; 115°C rise units are T3A

Units ending with letter "F" are 115°C rise; 80°C rise optional replace suffix "F" with "B"

Note ¹: The primary voltage ratio of 240 or 480 is available at 60Hz only with a secondary voltage of approximately 130/262V.

SECTION 8



HPS TITAN TRANSFORMERS FOR HARSH ENVIRONMENTS AND HAZARDOUS LOCATIONS

THREE PHASE STANDARD SPECIFICATIONS

2 TO 15 KVA



30 TO 150 KVA



	2 kVA to 5 kVA	6 kVA to 150 kVA
ANSI/ISA 12.12.10	File No. E258346 (Class 1, Division 2, Groups A, B, C, D and Class I, Zone 2, Group IIC, T3 Hazardous Locations) - T3C Temperature Classification	File No. E258346 (Class 1, Division 2, Groups A, B, C, D and Class I, Zone 2, Group IIC, T3 Hazardous Locations) - T3C/T3A Temperature Classification
ABS Type Approval (RQS)	Certificate No.: 14-HS1174640-PDA	Certificate No.: 14-HS1174640-PDA
North American Temperature Classification	T3C Approval	T3C Approval for 80°C rise units T3A Approval for 115°C rise units
Frequency	60 Hz (50/60 Hz on units with 380V primary)	60 Hz (50/60 Hz on units with 380V primary)
Insulation System	130°C (80°C rise) standard on all units.	180°C (115°C rise) standard on all units. Optional 180°C (80°C rise) available.
Electrostatic Shield	Standard on all units.	Standard on all units.
Encapsulation	All units are encapsulated with electrical grade silica sand and resin compounds.	All units are encapsulated with electrical grade silica sand and resin compounds.
Enclosure Type	Heavy duty type 3R Optional type 4, 4X (stainless steel) and 12	Heavy duty type 3R Optional type 4, 4X (stainless steel) and 12
Enclosure Finish	ANSI 61 Grey, UL50	ANSI 61 Grey, UL50
Termination	Top accessible separate high and low voltage lead wires or copper tabs.	Top accessible separate high and low voltage lead wires or copper tabs.
Conduit Knock-Outs	Standard side and rear knock-outs on all units (no knock-outs on Stainless Steel enclosures).	Standard side and rear knock-outs on all units (no knock-outs on Stainless Steel enclosures).
Impedance	Typically 1 to 5%.	Typically 1 to 5%.
Mounting	Standard Wall Mounting.	Standard Wall Mounting up to 15 kVA (Optional wall mounting kit available for 30 kVA and 45 kVA). Floor Mount only over 45 kVA. Lifting provisions standard 6 kVA to 150 kVA.
Seismic	Seismically certified in accordance with IBC 2009; Section 1613 Earthquake Loads, for $S_{DS} \leq 2.00g$, $z/h = 1.0$, and $I_p = 1.5$	Seismically certified in accordance with IBC 2009; Section 1613 Earthquake Loads, for $S_{DS} \leq 2.00g$, $z/h = 1.0$, and $I_p = 1.5$
Sound Level	Meets NEMA ST-20 standards. (Optional low noise units available on request)	Meets NEMA ST-20 standards. (Optional low noise units available on request)

Other voltages and kVA ratings not listed in this section are available upon request. Please contact customer service for details, price and availability.

All HPS TITAN three phase transformers are UL Listed for "Class 1, Division 2, Groups A, B, C, D and Class I, Zone 2, Group IIC, T3 Hazardous Locations" and are ABS Type Approved for "Marine Duty Service and Offshore Applications - Electrical Distribution and Propulsion".



THREE PHASE, NEMA 3R STYLE ENCLOSURE



480 Delta Primary Volts

208Y/120 Secondary Volts

60 Hz

kVA	Catalog Number	Case Style (Pages 228 - 230)	Approx. Dimensions (Inches)			Approx. Weight (Lbs.)	Mtg Type W - Wall F - Floor	Wiring Diagram (Pages 243 - 258)
			Width	Depth	Height			
2	P002KBKB	NQT3	12.38	5.44	12.39	49	W	SCD 8
3	P003KBKB	NQT3	12.38	5.44	12.39	86	W	SCD 8
6	P006KBKF	NQT4	15.19	6.94	16.39	160	W	SCD 8
9	P009KBKF	NQT5	16.63	10.25	17.89	262	W	SCD 8
15	P015KBKF	NQT6	19.25	10.44	17.89	304	W	SCD 7
30	P030KBKF	NQT7	20.25	13.00	23.38	478	F or W*	SCD 19
45	P045KBKF	NQT8	22.25	13.00	28.38	642	F or W*	SCD 19
75	P075KBKF	NQT9	31.25	16.00	29.88	1450	F	SCD 19
112.5	P112KBKF	NQT10	38.44	26.00	39.13	2100	F	SCD 19
150	P150KBKF	NQT11	37.38	30.00	45.63	2650	F	SCD 19

Units ending with letter "B" are 80°C rise
Units ending with letter "F" are 115°C rise; 80°C rise optional replace suffix "F" with "B"

Note: 80°C rise units are T3C; 115°C rise units are T3A

*OPTIONAL WALL MOUNTING KIT REQUIRED.
REFER TO PAGE 240 FOR DETAILS.

480 Delta Primary Volts

240 Delta Secondary Volts

60 Hz

kVA	Catalog Number	Case Style (Pages 228 - 230)	Approx. Dimensions (Inches)			Approx. Weight (Lbs.)	Mtg Type W - Wall F - Floor	Wiring Diagram (Pages 243 - 258)
			Width	Depth	Height			
2	P002KDKB	NQT3	12.38	5.44	12.39	52	W	SCD 12
3	P003KDKB	NQT3	12.38	5.44	12.39	68	W	SCD 12
6	P006KDKF	NQT4	15.19	6.94	16.39	182	W	SCD 12
9	P009KDKF	NQT5	16.63	10.25	17.89	250	W	SCD 37
15	P015KDKF	NQT6	19.25	10.44	17.89	312	W	SCD 37
30	P030KDKF	NQT7	20.25	13.00	23.38	540	F or W*	SCD 38
45	P045KDKF	NQT8	22.25	13.00	28.38	650	F or W*	SCD 38
75	P075KDKF	NQT9	31.25	16.00	29.88	1230	F	SCD 38
112.5	P112KDKF	NQT10	38.44	26.00	39.13	2100	F	SCD 38
150	P150KDKF	NQT11	37.38	30.00	45.63	2650	F	SCD 38

Units ending with letter "B" are 80°C rise
Units ending with letter "F" are 115°C rise; 80°C rise optional replace suffix "F" with "B"

Note: 80°C rise units are T3C; 115°C rise units are T3A

*OPTIONAL WALL MOUNTING KIT REQUIRED.
REFER TO PAGE 240 FOR DETAILS.

600 Delta Primary Volts

208Y/120 Secondary Volts

60 Hz

kVA	Catalog Number	Case Style (Pages 228 - 230)	Approx. Dimensions (Inches)			Approx. Weight (Lbs.)	Mtg Type W - Wall F - Floor	Wiring Diagram (Pages 243 - 258)
			Width	Depth	Height			
2	P002PBKB	NQT3	12.38	5.44	12.39	85	W	SCD 8
3	P003PBKB	NQT3	12.38	5.44	12.39	94	W	SCD 8
6	P006PBKF	NQT4	15.19	6.94	16.39	146	W	SCD 8
9	P009PBKF	NQT5	16.63	10.25	17.89	211	W	SCD 9
15	P015PBKF	NQT6	19.25	10.44	17.89	340	W	SCD 9
30	P030PBKF	NQT7	20.25	13.00	23.38	605	F or W*	SCD 9
45	P045PBKF	NQT8	22.25	13.00	28.38	770	F or W*	SCD 9
75	P075PBKF	NQT9	31.25	16.00	29.88	1350	F	SCD 9
112.5	P112PBKF	NQT10	38.44	26.00	39.13	3150	F	SCD 9
150	P150PBKF	NQT11	37.38	30.00	45.63	3200	F	SCD 9

Units ending with letter "B" are 80°C rise
Units ending with letter "F" are 115°C rise; 80°C rise optional replace suffix "F" with "B"

Note: 80°C rise units are T3C; 115°C rise units are T3A

*OPTIONAL WALL MOUNTING KIT REQUIRED.
REFER TO PAGE 240 FOR DETAILS.



THREE PHASE, NEMA 3R STYLE ENCLOSURE



600 Wye Primary Volts

240 Delta Secondary Volts

60 Hz

kVA	Catalog Number	Case Style (Pages 228 - 230)	Approx. Dimensions (Inches)			Approx. Weight (Lbs.)	Mtg Type W - Wall F - Floor	Wiring Diagram (Pages 243 - 258)
			Width	Depth	Height			
2	P002PDKB	NQT3	12.38	5.44	12.39	51	W	SCD 27
3	P003PDKB	NQT3	12.38	5.44	12.39	68	W	SCD 27
6	P006PDKF	NQT4	15.19	6.94	16.39	146	W	SCD 27
9	P009PDKF	NQT5	16.63	10.25	17.89	211	W	SCD 29
15	P015PDKF	NQT6	19.25	10.44	17.89	270	W	SCD 29
30	P030PDKF	NQT7	20.25	13.00	23.38	515	F or W*	SCD 16
45	P045PDKF	NQT8	22.25	13.00	28.38	740	F or W*	SCD 16
75	P075PDKF	NQT9	31.25	16.00	29.88	CF	F	SCD 16
112.5	P112PDKF	NQT10	38.44	26.00	39.13	CF	F	SCD 16
150	P150PDKF	NQT11	37.38	30.00	45.63	CF	F	SCD 16

Units ending with letter "B" are 80°C rise
Units ending with letter "F" are 115°C rise; 80°C rise optional replace suffix "F" with "B"

Note: 80°C rise units are T3C; 115°C rise units are T3A

*OPTIONAL WALL MOUNTING KIT REQUIRED.
REFER TO PAGE 240 FOR DETAILS.

600, 480 Delta Primary Volts

480Y/277 Secondary Volts

60 Hz

kVA	Catalog Number	Case Style (Pages 228 - 230)	Approx. Dimensions (Inches)			Approx. Weight (Lbs.)	Mtg Type W - Wall F - Floor	Wiring Diagram (Pages 243 - 258)
			Width	Depth	Height			
2	P002QKKB	NQT3	12.38	5.44	12.39	65	W	SCD 20
3	P003QKKB	NQT3	12.38	5.44	12.39	69	W	SCD 20
6	P006QKKF	NQT4	15.19	6.94	16.39	190	W	SCD 20
9	P009QKKF	NQT5	16.63	10.25	17.89	270	W	SCD 47
15	P015QKKF	NQT7	20.25	13.00	23.38	380	F or W*	SCD 47
30	P030QKKF	NQT7	20.25	13.00	23.38	472	F or W*	SCD 11
45	P045QKKF	NQT8	22.25	13.00	28.38	680	F or W*	SCD 11
75	P075QKKF	NQT9	31.25	16.00	29.88	1650	F	SCD 11
112.5	P112QKKF	NQT10	38.44	26.00	39.13	CF	F	Consult Factory
150	P150QKKF	NQT11	37.38	30.00	45.63	CF	F	Consult Factory

Units ending with letter "B" are 80°C rise
Units ending with letter "F" are 115°C rise; 80°C rise optional replace suffix "F" with "B"

Note: 80°C rise units are T3C; 115°C rise units are T3A

*OPTIONAL WALL MOUNTING KIT REQUIRED.
REFER TO PAGE 240 FOR DETAILS.







SECTION 9

HPS POWERPLUS™ MINI POWER CENTERS

Aluminum, Single Phase Mini Power Centers

Applications & Features	208
Features and Benefits	209
Single Phase Selection Tables	210
Enclosure Dimensional Drawings	235
Wiring Schematic Drawings	256

HPS PowerPlus™ Mini Power Center



The Compact Economical Solution

The HPS PowerPlus™ is a convenient pre-wired power center that saves you time, money, and space. HPS PowerPlus combines a pre-wired primary and secondary main breaker, secondary power panel, and dry-type shielded transformer in a Type 3R enclosure.

It is ideal for applications such as in industrial locations, temporary power at construction sites, commercial buildings, test equipment, and plant assembly lines.

SECTION 9



Features and Benefits

- Type 3R indoor/outdoor enclosure (optional 316 Stainless Steel enclosure available)
- 480 Primary, 120/240 Secondary
- Single Phase
- 60 Hz Frequency
- 5, 7.5, 10, 15, 25 kVA available
- Shielded transformer
- 180° insulation class
- 115° temperature rise
- Primary taps: 2 - 5% FCBN
- Meet NEMA, ANSI, & OSHA standards
- 15 year limited warranty on transformer
- 1 year limited warranty on Mini Power Center


Transformer: HPS shielded transformers are encapsulated for general purpose indoor or outdoor use within a variety of environments. An electrostatic shield is placed between the primary and secondary winding and grounded to reduce electrical interference and to provide additional protection.

Panel Assembly: The HPS PowerPlus assembly comes fully equipped with a primary & secondary main circuit breaker. It will hold up to 20 1-pole or 10 2-pole, one inch, common trip, duplex secondary branch circuit breakers (snap-in) and ground fault circuit breakers. Once you have established your branch circuit requirements, contact your local distributor to obtain your branch circuit breakers.

Connections: HPS PowerPlus accepts Aluminum or Copper conductors.

Protection: The transformer is protected by the primary main breaker, which handles high interrupting fault conditions. The N.E.C. requires a secondary breaker to be between the transformer and the panel.

Approvals:

HPS PowerPlus™:  US LISTED



ALUMINUM WOUND, SINGLE PHASE NEMA 3R STYLE ENCLOSURE



480 Primary Volts

120/240 Secondary Volts

60 Hz

kVA	Catalog Number	Case Style (Pages 235 - 237)	Max. Secondary Circuits*		Approx. Dimensions (Inches)			Approx. Weight (Lbs.)	Mtg Type W - Wall F - Floor	Wiring Diagram (Pages 256 - 257)
			120 V (1 Pole)	240 V (2 Pole)	Width	Depth	Height			
5	M1PC005LESF	PPE1	8	4	11.250	7.750	31.938	127	W	SCD 49
7.5	M1PC007LESF	PPE2	8	4	13.875	11.125	31.938	201	W	SCD 49
10	M1PC010LESF	PPE3	8	4	13.875	11.125	34.188	210	W	SCD 49
15	M1PC015LESF	PPE4	12	6	15.125	12.500	34.188	291	W	SCD 50
25	M1PC025LESF	PPE5	20	10	16.250	13.625	41.563	423	W	SCD 51

*Please contact factory for exact number of secondary circuits available

**Contact factory for copper information

ALUMINUM WOUND, SINGLE PHASE 316 STAINLESS STEEL ENCLOSURE

480 Primary Volts

120/240 Secondary Volts

60 Hz

kVA	Catalog Number	Case Style (Pages 235 - 237)	Max. Secondary Circuits*		Approx. Dimensions (Inches)			Approx. Weight (Lbs.)	Mtg Type W - Wall F - Floor	Wiring Diagram (Pages 256 - 257)
			120 V (1 Pole)	240 V (2 Pole)	Width	Depth	Height			
5	M1PC005LESF7	PPE1	8	4	11.250	7.750	31.938	127	W	SCD 49
7.5	M1PC007LESF7	PPE2	8	4	13.875	11.125	31.938	201	W	SCD 49
10	M1PC010LESF7	PPE3	8	4	13.875	11.125	34.188	210	W	SCD 49
15	M1PC015LESF7	PPE4	12	6	15.125	12.500	34.188	291	W	SCD 50
25	M1PC025LESF7	PPE5	20	10	16.250	13.625	41.563	423	W	SCD 51

*Please contact factory for exact number of secondary circuits available

**Contact factory for copper information

SECTION 9





SECTION 10

AUTOTRANSFORMERS

600 Volt Class, Three Phase

Description and Applications	212
Three Phase Standard Specifications	212
Three Phase Selection Tables	213
Enclosure Dimensional Drawings	226
Accessories - Enclosure Mounting Kits, Anti-Vibration Pads & Isolators	238

GENERAL PURPOSE AUTOTRANSFORMERS

HPS three phase autotransformers are available for applications where small voltage corrections are necessary in a distribution system. They are frequently used as an economical alternative to general purpose distribution isolation transformers to adjust the supply voltage to match specific load requirements when load isolation from the supply line is not required. Autotransformers can be used as either a step-up or step-down transformer.

THREE PHASE STANDARD SPECIFICATIONS

3 TO (15)(30)(45) KVA

(30)(45)(75) TO 500 KVA



	3 kVA to (15)(30)(45) kVA	(30)(45)(75) to 500 kVA
UL Listed	File: E258346 (UL1604, Class I, Division 2)	File: E112313
CSA Certified	File: LR3902	File: LR3902
ABS Type Approval	Certificate No.: 04-HS435190/1-PDA	Optional
Frequency	60 Hz	60 Hz
Insulation System	130°C (80°C rise) standard on all units 180°C (115°C rise) standard on all encapsulated units	200°C (130°C rise) or 220°C (150°C rise) available.
Encapsulation	Select units are encapsulated with electrical grade silica sand and resin compounds.	Not Applicable (ventilated core and coil)
Enclosure Type	Heavy duty type 3R Optional type 4, 4X (Stainless steel) and 12.	Heavy duty type 3R Optional type 4, 4X (Stainless steel) and 12.
Termination	Top accessible separate high and low voltage lead wires or copper tabs.	Front accessible compartment with high and low voltage terminals; connectors suitable for copper cables provided where indicated.
Conduit Knock-Outs	Standard side and rear knock-outs on all units (no knock-outs on Stainless Steel enclosures).	Standard side knock-outs on all units (no knock-outs on Stainless Steel enclosures).
Impedance	Less than 3%.	Less than 3%.
Mounting	Refer to tables on the next page.	Refer to tables on next page.
Sound Level	Meets NEMA ST-20 standards. (Optional low noise available on request)	Meets NEMA ST-20 standards. (Optional low noise available on request)

Other voltages not listed in this section are available upon request. Please contact customer service for details, price and availability.

Note: Autotransformers incorporate a single winding design without isolation in a Wye configuration.

THREE PHASE, NEMA 3R STYLE ENCLOSURE



600Y - 480Y Volts
480Y - 380Y Volts** (Alternate Rating)

60 Hz
50/60 Hz**

kVA		Catalog Number	Case Style (Pages 226 - 234)	Approx. Dimensions (Inches)			Approx. Weight (Lbs.)	Mtg Type W - Wall F - Floor	Wiring Diagram (Pages 243 - 258)
60 Hz	50/60 Hz			Width	Depth	Height			
3	2.4	Y003PKCB3LOU	NQT2	9.38	4.94	8.63	19	W	SCD 24
6	4.8	Y006PKCB3LOU	NQT2	9.38	4.94	8.63	26	W	SCD 24
9	7.2	Y009PKCB3LOU	NQT3	12.38	5.44	11.13	50	W	SCD 24
15	12	Y015PKCB3LOU	NQT3	12.38	5.44	11.13	60	W	SCD 24
30	24	Y030PKCF3LOU	NQT4	15.19	6.94	16.39	135	W	SCD 24
45	36	Y045PKCN3LOU	NH5	19.40	20.20	21.50	130	F or W*	SCD 24
75	60	Y075PKCN3LOU	NH5	19.40	20.20	21.50	170	F or W*	SCD 24
112.5	90	Y112PKCH3LOU	NH6	23.90	25.00	28.75	245	F or W*	SCD 24
150	120	Y150PKCH3LOU	NH6	23.90	25.00	28.75	285	F or W*	SCD 24
225	180	Y225PKCH3LOU	NH6	23.90	25.00	28.75	360	F or W*	SCD 24
300	240	Y300PKCH3LOU	NH3	26.00	21.00	38.00	500	F or W*	SCD 24
500	400	Y500PKCH3LOU	NH3	26.00	21.00	38.00	650	F or W*	SCD 24

**Note: The kVA rating must be reduced for operation at the Alternative Rating 480Y, 380Y (50/60 Hz). Please refer to the 50/60 Hz column under kVA in the above table. 50/60 Hz only available at 480-380Y rating. Above units from 3 kVA to 30 kVA are encapsulated.

*WALL MOUNTING KIT AND/OR DRIP PLATE KIT REQUIRED. REFER TO PAGES 238 TO 239 FOR DETAILS.

600Y, 480Y - 400Y, 240Y 208Y Volts

60 Hz

kVA		Catalog Number	Case Style (Pages 226 - 234)	Approx. Dimensions (Inches)			Approx. Weight (Lbs.)	Mtg Type W - Wall F - Floor	Wiring Diagram (Pages 243 - 258)
60 Hz	50/60 Hz			Width	Depth	Height			
3		Y003QTCB3LOU	NQT3	12.38	5.44	11.13	49	W	SCD 14
6		Y006QTCB3LOU	NQT3	12.38	5.44	11.13	69	W	SCD 14
9		Y009QTCF3LOU	NQT4	15.19	6.94	16.39	138	W	SCD 14
15		Y015QTCF3LOU	NQT4	15.19	6.94	16.39	170	W	SCD 14
30		Y030QTCN3LOU	NH5	19.40	20.20	21.50	210	F or W*	SCD 14
45		Y045QTCH3LOU	NH6	23.90	25.00	28.75	305	F or W*	SCD 14
75		Y075QTCH3LOU	NH6	23.90	25.00	28.75	400	F or W*	SCD 14
112.5		Y112QTCH3LOU	NH3	26.00	21.00	38.00	585	F or W*	SCD 14
150		Y150QTCH3LOU	NH3	26.00	21.00	38.00	685	F or W*	SCD 14
225		Y225QTCH3LOU	NH4	32.00	29.50	41.00	980	F	SCD 14

Above units from 3 kVA to 15 kVA are encapsulated.

*WALL MOUNTING KIT AND/OR DRIP PLATE KIT REQUIRED. REFER TO PAGES 238 TO 239 FOR DETAILS.

240Y, 216Y - 208Y

60 Hz

kVA		Catalog Number	Case Style (Pages 226 - 234)	Approx. Dimensions (Inches)			Approx. Weight (Lbs.)	Mtg Type W - Wall F - Floor	Wiring Diagram (Pages 243 - 258)
60 Hz	50/60 Hz			Width	Depth	Height			
3		Y003CECB3LOU	NQT2	9.38	4.94	8.63	19	W	SCD 15
6		Y006CECB3LOU	NQT2	9.38	4.94	8.63	28	W	SCD 15
9		Y009CECB3LOU	NQT3	12.38	5.44	11.13	49	W	SCD 15
15		Y015CECB3LOU	NQT3	12.38	5.44	11.13	58	W	SCD 15
30		Y030CECF3LOU	NQT4	15.19	6.94	16.39	115	W	SCD 15
45		Y045CECF3LOU	NQT4	15.19	6.94	16.39	130	W	SCD 15
75		Y075CECN3LOU	NH5	19.40	20.20	21.50	170	F or W*	SCD 15

Above units from 3 kVA to 45 kVA are encapsulated.

*WALL MOUNTING KIT AND/OR DRIP PLATE KIT REQUIRED. REFER TO PAGES 238 TO 239 FOR DETAILS.

Units provided with neutral terminals. Autotransformers without Neutrals are available. Please contact your HPS Sales Representative.

Products listed on this page are available with optional 'CE Mark'. Please consult our sales office.



The part numbers listed in this section are provided with neutral terminals. Autotransformers without neutral terminals are available as a special order. Please consult your HPS Sales Representative.

Autotransformers with neutrals provide the customer with a common (H0/X0) neutral connection point that is connected by the factory to the middle point of the 'Y' winding configuration. When selecting this option, both the Line and Load side neutral cables must be connected to the neutral terminals in order to ensure the proper operation of the autotransformer.

When installing the autotransformer special attention should be given to the neutral and grounding connections to comply with the above and also avoid possible multiple grounding situations. Please follow all applicable codes and standards and refer to the local electrical code requirements for grounding and short circuit protection of a three phase autotransformer. When necessary please review your specific application with the local inspection agency.

For more information, please visit our FAQ section of our website.





SECTION 11

HPS MILLENNIUM™ GENERAL PURPOSE MEDIUM VOLTAGE DISTRIBUTION TRANSFORMERS

2.5 KV to 5KV Class Dry Type Single Phase and Three Phase

Medium Voltage Energy Efficient Guidelines	216
Energy Efficient Guidelines for U.S.	216
Energy Efficient Guidelines for Canada	217
Aluminum and Copper Standard Specifications.....	218
Single Phase Aluminum Selection Tables	219
Single Phase Copper Selection Tables	220
Three Phase Aluminum Selection Tables	221
Three Phase Copper Selection Tables	223
Enclosure Dimensional Drawings	226
Accessories - Enclosure Mounting Kits, Anti-Vibration Pads & Isolators	238
Termination Details	242

MEDIUM VOLTAGE DISTRIBUTION TRANSFORMERS ENERGY EFFICIENCY REQUIREMENTS

In the past decades, greenhouse gas emissions and their effects on our planet have become the focus of many governments, agencies, companies and individuals. Energy generation is a major contributor to greenhouse gas emissions. In addition to widespread efforts to make energy generation more environmentally friendly, lowering energy consumption within most industrial and commercial facilities also is a goal. HPS proudly supports these initiatives by offering an Energy Efficient product basket that meets the current energy efficiency requirements both in US and Canada.

Improving the energy efficiency of new transformers is a primary objective for regulatory bodies in both the U.S. and Canada. As a result the legislation issued by the U.S. Department of Energy - DOE 10 CFR p.431 and the Canadian Energy Efficiency Act – Energy Efficiency Regulations (SOR/94-651) have strict energy efficiency requirements for low-voltage dry-type and medium-voltage dry-type distribution transformers.

HPS has a new line of energy efficient distribution transformers to meet the new DOE 10 CFR p.431 that comes in effect on January 1, 2016 also known as DOE 2016. More details about this product offer can be found in the HPS Millennium™ Medium Voltage Transformer Selection Guide (MILGMED15).

The Canadian product offering described in the current catalogue continues to comply with the CSA C802.2 energy efficiency requirements. This product line also meets the DOE energy efficiency levels that were in effect from January 1, 2010 to December 31, 2015.



DOE 2016 product please see the HPS Millennium™ Medium Voltage Transformer Selection Guide (MILGMED15)

FOR TERMINATION DETAILS SEE PAGE 242

FOR ACCESSORIES SEE PAGES 238 TO 241

Data subject to change without notice.



MEDIUM VOLTAGE DISTRIBUTION TRANSFORMER ENERGY EFFICIENCY GUIDELINES

Canada - Energy Efficiency Regulations

In Canada, all medium voltage dry-type distribution transformers (as defined below) manufactured after January 1st, 2005, must meet the minimum energy efficiency guidelines as per CSA C802.2.

The range of product covered by these standards are:

Primary Voltage BIL Rating		> 1.2 kV class (\geq 20 kV BIL)
Secondary (low) Voltage Line Current		Less than 4000 Amps
Dry-Type Rating	Single Phase	15-833 kVA
	Three Phase	15-7500 kVA
Frequency		60 Hz only

For transformers exempt from the Canadian Efficiency Regulations please refer to the following NRCan link:
<http://laws.justice.gc.ca/eng/sor-94-651/page-1.html>

Canadian Energy Efficiency Act - Energy Efficiency Regulations							
Efficiency Levels*							
Dry-Type Distribution Transformers - Medium Voltage							
Single Phase				Three Phase			
kVA	20 - 45 kV BIL Efficiency (%)	46 - 95 kV BIL Efficiency (%)	\geq 96 kV BIL Efficiency (%)	kVA	20 - 45 kV BIL Efficiency (%)	46 - 95 kV BIL Efficiency (%)	\geq 96 kV BIL Efficiency (%)
15	98.10	97.86	97.80	15	97.50	97.18	97.11
25	98.33	98.12	98.07	30	97.90	97.63	97.57
37.5	98.49	98.30	98.25	45	98.10	97.86	97.80
50	98.60	98.42	98.37	75	98.33	98.12	98.07
75	98.73	98.57	98.53	112.5	98.49	98.30	98.25
100	98.82	98.67	98.63	150	98.60	98.42	98.37
167	98.96	98.83	98.80	225	98.73	98.57	98.53
250	99.07	98.95	98.91	300	98.82	98.67	98.63
333	99.14	99.03	98.99	500	98.96	98.83	98.80
500	99.22	99.12	99.09	750	99.07	98.95	98.91
667	99.27	99.18	99.15	1000	99.14	99.03	98.99
833	99.31	99.23	99.20	1500	99.22	99.12	99.09
				2000	99.27	99.18	99.15
				2500	99.31	99.23	99.20
				3000	99.34	99.26	99.24
				3750	99.38	99.30	99.28
				5000	99.42	99.35	99.33
				7500	99.48	99.41	99.39

All efficiency values are at 50% of nameplate-rated load at 75°C reference temperature.

DOE 2016 product please see the HPS Millennium™ Medium Voltage Transformer Selection Guide (MILGMED15)

FOR TERMINATION DETAILS SEE PAGE 242

FOR ACCESSORIES SEE PAGES 238 TO 241

Data subject to change without notice.



2.5KV to 5KV CLASS DISTRIBUTION TRANSFORMERS

HPS Millennium™ energy efficient medium voltage distribution transformers are designed for stepping down incoming higher voltage power to utilize voltages for commercial, institutional or industrial applications. The standard NEMA 3R ventilated construction is suitable for indoor or outdoor applications.

ALUMINUM & COPPER WOUND STANDARD SPECIFICATIONS



SINGLE PHASE



THREE PHASE

	15 to 333 kVA	15 to 1500 kVA
Efficiency (where applicable)	Meets U.S. DOE CFR Part 431 (2010) and the Canadian Efficiency Regulations (C802.2) efficiency levels at 50% of rated load. Efficiencies are calculated under a linear load profile.	
UL Listed	File: E147879	File: E147879
CSA Certified	File: LR3902	File: LR3902
Frequency	60 Hz	60 Hz
Insulation System	220°C (150°C rise) 180°C (115°C rise) on some units (Optional 115°C and 80°C rise available)	220°C (150°C rise) 180°C (115°C rise) on some units (Optional 115°C and 80°C rise available)
Enclosure Type	Heavy duty ventilated type 3R (Optional type 4, 4X and 12 available)	Heavy duty ventilated type 3R (Optional type 4, 4X and 12 available)
Enclosure Finish	ANSI 61 Grey, UL50	ANSI 61 Grey, UL50
Standard Primary Taps	Refer to wiring diagrams for details.	Refer to wiring diagrams for details.
Termination	Front accessible separate high and low voltage terminals; connectors suitable for aluminum and copper are provided for easy cable installation.	Front accessible separate high and low voltage terminals; connectors suitable for aluminum and copper are provided for easy cable installation.
Conduit Knock-Outs	Standard on most units up to 100 kVA (no knock-outs on Stainless Steel enclosures).	Standard on units up to 150 kVA (no knock-outs on Stainless Steel enclosures).
Impedance	Typically 2 to 5%	Typically 3 to 6%
Mounting	Floor or wall/ceiling mounting available. Refer to selection tables for details.	Floor or wall/ceiling mounting available. Refer to selection tables for details.
Seismic	Seismically certified in accordance with IBC 2009; Section 1613 Earthquake Loads, for $S_{DS} \leq 2.00g$, $z/h = 1.0$, and $I_p = 1.5$	Seismically certified in accordance with IBC 2009; Section 1613 Earthquake Loads, for $S_{DS} \leq 2.00g$, $z/h = 1.0$, and $I_p = 1.5$

Other voltages not listed in this section are available upon request for both aluminum and copper wound units. Please contact customer service for details, price and availability.

DOE 2016 product please see the HPS Millennium™ Medium Voltage Transformer Selection Guide (MILGMED15)

FOR TERMINATION DETAILS SEE PAGE 242

FOR ACCESSORIES SEE PAGES 238 TO 241

Data subject to change without notice.



SECTION 11

ALUMINUM WOUND, SINGLE PHASE, TYPE 3R STYLE ENCLOSURE



2400 Primary Volts

120/240 Secondary Volts

60 Hz

kVA	Catalog Number	Case Style (Pages 226 - 234)	Approx. Dimensions (Inches)			Approx. Weight (Lbs.)	Mtg Type W - Wall F - Floor	Wiring Diagram (Pages 243 - 258)
			Width	Depth	Height			
15	MV1S015REAF	NH6	23.90	25.00	28.75	290	F or W *	SCD 6
25	MV1S025RE	NH6	23.90	25.00	28.75	350	F or W *	SCD 6
37.5	MV1S037RE	NH6	23.90	25.00	28.75	420	F or W *	SCD 6
50	MV1S050RE	NH3	26.00	25.00	38.00	570	F or W *	SCD 6
75	MV1S075RE	NH3	26.00	25.00	38.00	660	F or W *	SCD 6
100	MV1S100RE	NH4	32.00	29.50	41.00	810	F	SCD 6
150	MV1S150RE	NJ4	32.00	32.50	50.00	1280	F	SCD 6
167	MV1S167RE	NJ4	32.00	32.50	50.00	1320	F	SCD 6
250	MV1S250RE	NJ4	32.00	32.50	50.00	1560	F	SCD 6
333	MV1S333RE	NJ2	48.50	38.40	59.00	1980	F	SCD 6

For shielded units, please add the suffix "S" to the above part numbers.

*WALL MOUNTING KIT AND/OR DRIP PLATE KIT REQUIRED.
REFER TO PAGES 238 TO 239 FOR DETAILS.

4160 Primary Volts

120/240 Secondary Volts

60 Hz

kVA	Catalog Number	Case Style (Pages 226 - 234)	Approx. Dimensions (Inches)			Approx. Weight (Lbs.)	Mtg Type W - Wall F - Floor	Wiring Diagram (Pages 243 - 258)
			Width	Depth	Height			
15	MV1S015SEAF	NH6	23.90	25.00	28.75	290	F or W *	SCD 6
25	MV1S025SEAF	NH6	23.90	25.00	28.75	350	F or W *	SCD 6
37.5	MV1S037SE	NH6	23.90	25.00	28.75	420	F or W *	SCD 6
50	MV1S050SE	NH3	26.00	25.00	38.00	570	F or W *	SCD 6
75	MV1S075SE	NH3	26.00	25.00	38.00	660	F or W *	SCD 6
100	MV1S100SE	NH4	32.00	29.50	41.00	810	F	SCD 6
150	MV1S150SE	NJ4	32.00	32.50	50.00	1280	F	SCD 6
167	MV1S167SE	NJ4	32.00	32.50	50.00	1320	F	SCD 6
250	MV1S250SE	NJ4	32.00	32.50	50.00	1560	F	SCD 6
333	MV1S333SE	NJ2	48.50	38.40	59.00	1980	F	SCD 6

For shielded units, please add the suffix "S" to the above part numbers.

*WALL MOUNTING KIT AND/OR DRIP PLATE KIT REQUIRED.
REFER TO PAGES 238 TO 239 FOR DETAILS.

SECTION 11

DOE 2016 product please see the HPS Millennium™ Medium Voltage Transformer Selection Guide (MILGMED15)

FOR TERMINATION DETAILS SEE PAGE 242

FOR ACCESSORIES SEE PAGES 238 TO 241

Data subject to change without notice.



COPPER WOUND, SINGLE PHASE, TYPE 3R STYLE ENCLOSURE



2400 Primary Volts

120/240 Secondary Volts

60 Hz

kVA	Catalog Number	Case Style (Pages 226 - 234)	Approx. Dimensions (Inches)			Approx. Weight (Lbs)	Mtg Type W - Wall F - Floor	Wiring Diagram (Pages 243 - 258)
			Width	Depth	Height			
15	MV1S015RECF	NH6	23.90	25.00	28.75	320	F or W *	SCD 6
25	MV1S025RECF	NH6	23.90	25.00	28.75	390	F or W *	SCD 6
37.5	MV1S037RECF	NH6	23.90	25.00	28.75	480	F or W *	SCD 6
50	MV1S050RECF	NH3	26.00	25.00	38.00	660	F or W *	SCD 6
75	MV1S075REC	NH3	26.00	25.00	38.00	770	F	SCD 6
100	MV1S100REC	NH4	32.00	29.50	41.00	970	F	SCD 6
150	MV1S150REC	NJ4	32.00	32.50	50.00	1300	F	SCD 6
167	MV1S167REC	NJ4	32.00	32.50	50.00	1440	F	SCD 6
250	MV1S250REC	NJ4	32.00	32.50	50.00	1800	F	SCD 6
333	MV1S333REC	NJ2	48.50	38.40	59.00	2280	F	SCD 6

For shielded units, please replace the letter "C" with a "K" in the above part numbers.

*WALL MOUNTING KIT AND/OR DRIP PLATE KIT REQUIRED.
REFER TO PAGES 238 TO 239 FOR DETAILS.

4160 Primary Volts

120/240 Secondary Volts

60 Hz

kVA	Catalog Number	Case Style (Pages 226 - 234)	Approx. Dimensions (Inches)			Approx. Weight (Lbs)	Mtg Type W - Wall F - Floor	Wiring Diagram (Pages 243 - 258)
			Width	Depth	Height			
15	MV1S015SECF	NH6	23.90	25.00	28.75	320	F or W *	SCD 6
25	MV1S025SECF	NH6	23.90	25.00	28.75	390	F or W *	SCD 6
37.5	MV1S037SECF	NH6	23.90	25.00	28.75	480	F or W *	SCD 6
50	MV1S050SECF	NH3	26.00	25.00	38.00	660	F or W *	SCD 6
75	MV1S075SEC	NH3	26.00	25.00	38.00	770	F	SCD 6
100	MV1S100SEC	NH4	32.00	29.50	41.00	970	F	SCD 6
150	MV1S150SEC	NJ4	32.00	32.50	50.00	1300	F	SCD 6
167	MV1S167SEC	NJ4	32.00	32.50	50.00	1440	F	SCD 6
250	MV1S250SEC	NJ4	32.00	32.50	50.00	1800	F	SCD 6
333	MV1S333SEC	NJ2	48.50	38.40	59.00	2280	F	SCD 6

For shielded units, please replace the letter "C" with a "K" in the above part numbers.

*WALL MOUNTING KIT AND/OR DRIP PLATE KIT REQUIRED.
REFER TO PAGES 238 TO 239 FOR DETAILS.

SECTION 11

DOE 2016 product please see the HPS Millennium™ Medium Voltage Transformer Selection Guide (MILGMED15)

FOR TERMINATION DETAILS SEE PAGE 242

FOR ACCESSORIES SEE PAGES 238 TO 241

Data subject to change without notice.



ALUMINUM WOUND, THREE PHASE, TYPE 3R STYLE ENCLOSURE



2400 Delta Primary Volts

208Y/120 Secondary Volts

60 Hz

kVA	Catalog Number	Case Style (Pages 226 - 234)	Approx. Dimensions (Inches)			Approx. Weight (Lbs)	Mtg Type W - Wall F - Floor	Wiring Diagram (Pages 243 - 258)
			Width	Depth	Height			
*15	MV3S015RBAF	NH6	23.90	25.00	28.75	350	F or W *	SCD 8
*30	MV3S030RBAF	NH6	23.90	25.00	28.75	425	F or W *	SCD 10
45	MV3S045RBAF	NH3	26.00	25.00	38.00	600	F or W *	SCD 10
75	MV3S075RB	NH4	32.00	29.50	41.00	800	F	SCD 10
112.5	MV3S112RB	NH4	32.00	29.50	41.00	1200	F	SCD 10
150	MV3S150RB	NJ1	39.50	34.00	51.50	1400	F	SCD 10
225	MV3S225RB	NJ1	39.50	34.00	51.50	1600	F	SCD 10
300	MV3S300RB	NJ1	39.50	34.00	51.50	1800	F	SCD 10
500	MV3S500RB	NJ2	48.50	38.40	59.00	2600	F	SCD 10
750	MV3S750RB	NJ6	64.00	44.40	71.00	4200	F	SCD 10
1000	MV3S1000RB	NJ6	64.00	44.40	71.00	4500	F	SCD 10
1250	MV3S1250RB	NJ6	64.00	44.40	71.00	5300	F	SCD 10
1500	MV3S1500RB	NJ7	64.00	51.40	75.00	6300	F	SCD 10

* Aluminum/Copper units have 115°C temperature rise.
For shielded units, please add the suffix "S" to the above part numbers.

*WALL MOUNTING KIT AND/OR DRIP PLATE KIT REQUIRED.
REFER TO PAGES 238 TO 239 FOR DETAILS.

2400 Delta Primary Volts

480Y/277 Secondary Volts

60 Hz

kVA	Catalog Number	Case Style (Pages 226 - 234)	Approx. Dimensions (Inches)			Approx. Weight (Lbs)	Mtg Type W - Wall F - Floor	Wiring Diagram (Pages 243 - 258)
			Width	Depth	Height			
*15	MV3S015RKAF	NH6	23.90	25.00	28.75	350	F or W *	SCD 8
*30	MV3S030RKAF	NH6	23.90	25.00	28.75	425	F or W *	SCD 10
45	MV3S045RKAF	NH3	26.00	25.00	38.00	600	F or W *	SCD 10
75	MV3S075RK	NH4	32.00	29.50	41.00	800	F	SCD 10
112.5	MV3S112RK	NH4	32.00	29.50	41.00	1200	F	SCD 10
150	MV3S150RK	NJ1	39.50	34.00	51.50	1400	F	SCD 10
225	MV3S225RK	NJ1	39.50	34.00	51.50	1600	F	SCD 10
300	MV3S300RK	NJ1	39.50	34.00	51.50	1800	F	SCD 10
500	MV3S500RK	NJ2	48.50	38.40	59.00	2600	F	SCD 10
750	MV3S750RK	NJ6	64.00	44.40	71.00	4200	F	SCD 10
1000	MV3S1000RK	NJ6	64.00	44.40	71.00	4500	F	SCD 10
1250	MV3S1250RK	NJ6	64.00	44.40	71.00	5300	F	SCD 10
1500	MV3S1500RK	NJ7	64.00	51.40	75.00	6300	F	SCD 10

* Aluminum/Copper units have 115°C temperature rise.
For shielded units, please add the suffix "S" to the above part numbers.

*WALL MOUNTING KIT AND/OR DRIP PLATE KIT REQUIRED.
REFER TO PAGES 238 TO 239 FOR DETAILS.

2400 Delta Primary Volts

600Y/347 Secondary Volts

60 Hz

kVA	Catalog Number	Case Style (Pages 226 - 234)	Approx. Dimensions (Inches)			Approx. Weight (Lbs)	Mtg Type W - Wall F - Floor	Wiring Diagram (Pages 243 - 258)
			Width	Depth	Height			
*15	MV3S015RPAF	NH6	23.90	25.00	28.75	350	F or W *	SCD 8
*30	MV3S030RPAF	NH6	23.90	25.00	28.75	425	F or W *	SCD 10
45	MV3S045RPAF	NH3	26.00	25.00	38.00	600	F or W *	SCD 10
75	MV3S075RP	NH4	32.00	29.50	41.00	800	F	SCD 10
112.5	MV3S112RP	NH4	32.00	29.50	41.00	1200	F	SCD 10
150	MV3S150RP	NJ1	39.50	34.00	51.50	1400	F	SCD 10
225	MV3S225RP	NJ1	39.50	34.00	51.50	1600	F	SCD 10
300	MV3S300RP	NJ1	39.50	34.00	51.50	1800	F	SCD 10
500	MV3S500RP	NJ2	48.50	38.40	59.00	2600	F	SCD 10
750	MV3S750RP	NJ6	64.00	44.40	71.00	4200	F	SCD 10
1000	MV3S1000RP	NJ6	64.00	44.40	71.00	4600	F	SCD 10
1250	MV3S1250RP	NJ6	64.00	44.40	71.00	5200	F	SCD 10
1500	MV3S1500RP	NJ7	64.00	51.40	75.00	6300	F	SCD 10

* Aluminum/Copper units have 115°C temperature rise.
For shielded units, please add the suffix "S" to the above part numbers.

*WALL MOUNTING KIT AND/OR DRIP PLATE KIT REQUIRED.
REFER TO PAGES 239 TO 239 FOR DETAILS.

DOE 2016 product please see the HPS Millennium™ Medium Voltage Transformer Selection Guide (MILGMED15)

FOR TERMINATION DETAILS SEE PAGE 242

FOR ACCESSORIES SEE PAGES 238 TO 241



ALUMINUM WOUND, THREE PHASE, TYPE 3R STYLE ENCLOSURE



4160 Delta Primary Volts

208Y/120 Secondary Volts

60 Hz

kVA	Catalog Number	Case Style (Pages 226 - 234)	Approx. Dimensions (Inches)			Approx. Weight (Lbs)	Mtg Type W - Wall F - Floor	Wiring Diagram (Pages 243 - 258)
			Width	Depth	Height			
*15	MV3S015SBAF	NH6	23.90	25.00	28.75	350	F or W *	SCD 8
*30	MV3S030SBAF	NH6	23.90	25.00	28.75	425	F or W *	SCD 10
45	MV3S045SBAF	NH3	26.00	25.00	38.00	600	F or W *	SCD 10
75	MV3S075SBAF	NH4	32.00	29.50	41.00	800	F	SCD 10
112.5	MV3S112SBAF	NH4	32.00	29.50	41.00	1200	F	SCD 10
150	MV3S150SB	NJ1	39.50	34.00	51.50	1400	F	SCD 10
225	MV3S225SB	NJ1	39.50	34.00	51.50	1600	F	SCD 10
300	MV3S300SB	NJ1	39.50	34.00	51.50	1800	F	SCD 10
500	MV3S500SB	NJ2	48.50	38.40	59.00	2600	F	SCD 10
750	MV3S750SB	NJ6	64.00	44.40	71.00	4200	F	SCD 10
1000	MV3S1000SB	NJ6	64.00	44.40	71.00	4600	F	SCD 10
1250	MV3S1250SB	NJ6	64.00	44.40	71.00	5300	F	SCD 10
1500	MV3S1500SB	NJ7	64.00	51.40	75.00	6300	F	SCD 10

* Aluminum/Copper units have 115°C temperature rise.
For shielded units, please add the suffix "S" to the above part numbers.

*WALL MOUNTING KIT AND/OR DRIP PLATE KIT REQUIRED.
REFER TO PAGES 238 TO 239 FOR DETAILS.

4160 Delta Primary Volts

480Y/277 Secondary Volts

60 Hz

kVA	Catalog Number	Case Style (Pages 226 - 234)	Approx. Dimensions (Inches)			Approx. Weight (Lbs)	Mtg Type W - Wall F - Floor	Wiring Diagram (Pages 243 - 258)
			Width	Depth	Height			
*15	MV3S015SKAF	NH6	23.90	25.00	28.75	350	F or W *	SCD 8
*30	MV3S030SKAF	NH6	23.90	25.00	28.75	425	F or W *	SCD 10
45	MV3S045SKAF	NH3	26.00	25.00	38.00	600	F or W *	SCD 10
75	MV3S075SKAF	NH4	32.00	29.50	41.00	800	F	SCD 10
112.5	MV3S112SKAF	NH4	32.00	29.50	41.00	1200	F	SCD 10
150	MV3S150SK	NJ1	39.50	34.00	51.50	1400	F	SCD 10
225	MV3S225SK	NJ1	39.50	34.00	51.50	1600	F	SCD 10
300	MV3S300SK	NJ1	39.50	34.00	51.50	1800	F	SCD 10
500	MV3S500SK	NJ2	48.50	38.40	59.00	2600	F	SCD 10
750	MV3S750SK	NJ6	64.00	44.40	71.00	4200	F	SCD 10
1000	MV3S1000SK	NJ6	64.00	44.40	71.00	4500	F	SCD 10
1250	MV3S1250SK	NJ6	64.00	44.40	71.00	5300	F	SCD 10
1500	MV3S1500SK	NJ7	64.00	51.40	75.00	6300	F	SCD 10

* Aluminum/Copper units have 115°C temperature rise.
For shielded units, please add the suffix "S" to the above part numbers.

*WALL MOUNTING KIT AND/OR DRIP PLATE KIT REQUIRED.
REFER TO PAGES 238 TO 239 FOR DETAILS.

4160 Delta Primary Volts

600Y/347 Secondary Volts

60 Hz

kVA	Catalog Number	Case Style (Pages 226 - 234)	Approx. Dimensions (Inches)			Approx. Weight (Lbs)	Mtg Type W - Wall F - Floor	Wiring Diagram (Pages 243 - 258)
			Width	Depth	Height			
*15	MV3S015SPAF	NH6	23.90	25.00	28.75	350	F or W *	SCD 8
*30	MV3S030SPAF	NH6	23.90	25.00	28.75	425	F or W *	SCD 10
45	MV3S045SPAF	NH3	26.00	25.00	38.00	600	F or W *	SCD 10
75	MV3S075SPAF	NH4	32.00	29.50	41.00	800	F	SCD 10
112.5	MV3S112SPAF	NH4	32.00	29.50	41.00	1200	F	SCD 10
150	MV3S150SP	NJ1	39.50	34.00	51.50	1400	F	SCD 10
225	MV3S225SP	NJ1	39.50	34.00	51.50	1600	F	SCD 10
300	MV3S300SP	NJ1	39.50	34.00	51.50	1800	F	SCD 10
500	MV3S500SP	NJ2	48.50	38.40	59.00	2600	F	SCD 10
750	MV3S750SP	NJ6	64.00	44.40	71.00	4200	F	SCD 10
1000	MV3S1000SP	NJ6	64.00	44.40	71.00	4600	F	SCD 10
1250	MV3S1250SP	NJ6	64.00	44.40	71.00	5200	F	SCD 10
1500	MV3S1500SP	NJ7	64.00	51.40	75.00	6300	F	SCD 10

* Aluminum/Copper units have 115°C temperature rise.
For shielded units, please add the suffix "S" to the above part numbers.

*WALL MOUNTING KIT AND/OR DRIP PLATE KIT REQUIRED.
REFER TO PAGES 238 TO 239 FOR DETAILS.

DOE 2016 product please see the HPS Millennium™ Medium Voltage Transformer Selection Guide (MILGMED15)

FOR TERMINATION DETAILS SEE PAGE 242

FOR ACCESSORIES SEE PAGES 238 TO 241



SECTION 11

COPPER WOUND, THREE PHASE, TYPE 3R STYLE ENCLOSURE



2400 Delta Primary Volts

208Y/120 Secondary Volts

60 Hz

kVA	Catalog Number	Case Style (Pages 226 - 234)	Approx. Dimensions (Inches)			Approx. Weight (Lbs)	Mtg Type W - Wall F - Floor	Wiring Diagram (Pages 243 - 258)
			Width	Depth	Height			
15	MV3S015RBCF	NH6	23.90	25.00	28.75	400	F or W *	SCD 8
30	MV3S030RBCF	NH6	23.90	25.00	28.75	500	F or W *	SCD 10
45	MV3S045RBCF	NH3	26.00	25.00	38.00	600	F or W *	SCD 10
75	MV3S075RBCF	NH4	32.00	29.50	41.00	900	F	SCD 10
112.5	MV3S112RBCF	NH4	32.00	29.50	41.00	1100	F	SCD 10
150	MV3S150RBC	NJ1	39.50	34.00	51.50	1500	F	SCD 10
225	MV3S225RBC	NJ1	39.50	34.00	51.50	1700	F	SCD 10
300	MV3S300RBC	NJ1	39.50	34.00	51.50	1900	F	SCD 10
500	MV3S500RBC	NJ2	48.50	38.40	59.00	3000	F	SCD 10
750	MV3S750RBC	NJ6	64.00	44.40	71.00	4200	F	SCD 10
1000	MV3S1000RBC	NJ6	64.00	44.40	71.00	4800	F	SCD 10
1250	MV3S1250RBC	NJ6	64.00	44.40	71.00	6200	F	SCD 10
1500	MV3S1500RBC	NJ7	64.00	51.40	75.00	6600	F	SCD 10

For shielded units, please replace the letter "C" with a "K" in the above part numbers.

*WALL MOUNTING KIT AND/OR DRIP PLATE KIT REQUIRED.
REFER TO PAGES 238 TO 239 FOR DETAILS.

2400 Delta Primary Volts

480Y/277 Secondary Volts

60 Hz

kVA	Catalog Number	Case Style (Pages 226 - 234)	Approx. Dimensions (Inches)			Approx. Weight (Lbs)	Mtg Type W - Wall F - Floor	Wiring Diagram (Pages 243 - 258)
			Width	Depth	Height			
15	MV3S015RKCF	NH6	23.90	25.00	28.75	400	F or W *	SCD 8
30	MV3S030RKCF	NH6	23.90	25.00	28.75	500	F or W *	SCD 10
45	MV3S045RKCF	NH3	26.00	25.00	38.00	600	F or W *	SCD 10
75	MV3S075RKCF	NH4	32.00	29.50	41.00	900	F	SCD 10
112.5	MV3S112RKCF	NH4	32.00	29.50	41.00	1100	F	SCD 10
150	MV3S150RKCF	NJ1	39.50	34.00	51.50	1500	F	SCD 10
225	MV3S225RKCF	NJ1	39.50	34.00	51.50	1600	F	SCD 10
300	MV3S300RKCF	NJ1	39.50	34.00	51.50	1900	F	SCD 10
500	MV3S500RKCF	NJ2	48.50	38.40	59.00	3000	F	SCD 10
750	MV3S750RKCF	NJ6	64.00	44.40	71.00	4200	F	SCD 10
1000	MV3S1000RKCF	NJ6	64.00	44.40	71.00	4800	F	SCD 10
1250	MV3S1250RKCF	NJ6	64.00	44.40	71.00	6200	F	SCD 10
1500	MV3S1500RKCF	NJ7	64.00	51.40	75.00	6600	F	SCD 10

For shielded units, please replace the letter "C" with a "K" in the above part numbers.

*WALL MOUNTING KIT AND/OR DRIP PLATE KIT REQUIRED.
REFER TO PAGES 238 TO 239 FOR DETAILS.

2400 Delta Primary Volts

600Y/347 Secondary Volts

60 Hz

kVA	Catalog Number	Case Style (Pages 226 - 234)	Approx. Dimensions (Inches)			Approx. Weight (Lbs)	Mtg Type W - Wall F - Floor	Wiring Diagram (Pages 243 - 258)
			Width	Depth	Height			
15	MV3S015RPCF	NH6	23.90	25.00	28.75	400	F or W *	SCD 8
30	MV3S030RPCF	NH6	23.90	25.00	28.75	500	F or W *	SCD 10
45	MV3S045RPCF	NH3	26.00	25.00	38.00	600	F or W *	SCD 10
75	MV3S075RPCF	NH4	32.00	29.50	41.00	900	F	SCD 10
112.5	MV3S112RPCF	NH4	32.00	29.50	41.00	1100	F	SCD 10
150	MV3S150RPC	NJ1	39.50	34.00	51.50	1500	F	SCD 10
225	MV3S225RPC	NJ1	39.50	34.00	51.50	1600	F	SCD 10
300	MV3S300RPC	NJ1	39.50	34.00	51.50	1900	F	SCD 10
500	MV3S500RPC	NJ2	48.50	38.40	59.00	2900	F	SCD 10
750	MV3S750RPC	NJ6	64.00	44.40	71.00	4200	F	SCD 10
1000	MV3S1000RPC	NJ6	64.00	44.40	71.00	4800	F	SCD 10
1250	MV3S1250RPC	NJ6	64.00	44.40	71.00	6200	F	SCD 10
1500	MV3S1500RPC	NJ7	64.00	51.40	75.00	6600	F	SCD 10

For shielded units, please replace the letter "C" with a "K" in the above part numbers.

*WALL MOUNTING KIT AND/OR DRIP PLATE KIT REQUIRED.
REFER TO PAGES 238 TO 239 FOR DETAILS.

DOE 2016 product please see the HPS Millennium™ Medium Voltage Transformer Selection Guide (MILGMED15)

FOR TERMINATION DETAILS SEE PAGE 242

FOR ACCESSORIES SEE PAGES 238 TO 241



COPPER WOUND, THREE PHASE, TYPE 3R STYLE ENCLOSURE



4160 Delta Primary Volts

208Y/120 Secondary Volts

60 Hz

kVA	Catalog Number	Case Style (Pages 226 - 234)	Approx. Dimensions (Inches)			Approx. Weight (Lbs)	Mtg Type W - Wall F - Floor	Wiring Diagram (Pages 243 - 258)
			Width	Depth	Height			
15	MV3S015SBCF	NH6	23.90	25.00	28.75	400	F or W *	SCD 8
30	MV3S030SBCF	NH6	23.90	25.00	28.75	500	F or W *	SCD 10
45	MV3S045SBCF	NH3	26.00	25.00	38.00	600	F or W *	SCD 10
75	MV3S075SBCF	NH4	32.00	29.50	41.00	900	F	SCD 10
112.5	MV3S112SBCF	NH4	32.00	29.50	41.00	1100	F	SCD 10
150	MV3S150SBCF	NJ1	39.50	34.00	51.50	1500	F	SCD 10
225	MV3S225SBC	NJ1	39.50	34.00	51.50	1700	F	SCD 10
300	MV3S300SBC	NJ1	39.50	34.00	51.50	1900	F	SCD 10
500	MV3S500SBC	NJ2	48.50	38.40	59.00	3000	F	SCD 10
750	MV3S750SBC	NJ6	64.00	44.40	71.00	4200	F	SCD 10
1000	MV3S1000SBC	NJ6	64.00	44.40	71.00	4800	F	SCD 10
1250	MV3S1250SBC	NJ6	64.00	44.40	71.00	6200	F	SCD 10
1500	MV3S1500SBC	NJ7	64.00	51.40	75.00	6600	F	SCD 10

For shielded units, please replace the letter "C" with a "K" in the above part numbers.

*WALL MOUNTING KIT AND/OR DRIP PLATE KIT REQUIRED. REFER TO PAGES 238 TO 239 FOR DETAILS.

4160 Delta Primary Volts

480Y/277 Secondary Volts

60 Hz

kVA	Catalog Number	Case Style (Pages 226 - 234)	Approx. Dimensions (Inches)			Approx. Weight (Lbs)	Mtg Type W - Wall F - Floor	Wiring Diagram (Pages 243 - 258)
			Width	Depth	Height			
15	MV3S015SKCF	NH6	23.90	25.00	28.75	400	F or W *	SCD 8
30	MV3S030SKCF	NH6	23.90	25.00	28.75	500	F or W *	SCD 10
45	MV3S045SKCF	NH3	26.00	25.00	38.00	600	F or W *	SCD 10
75	MV3S075SKCF	NH4	32.00	29.50	41.00	900	F	SCD 10
112.5	MV3S112SKCF	NH4	32.00	29.50	41.00	1100	F	SCD 10
150	MV3S150SKCF	NJ1	39.50	34.00	51.50	1500	F	SCD 10
225	MV3S225SKCF	NJ1	39.50	34.00	51.50	1600	F	SCD 10
300	MV3S300SKC	NJ1	39.50	34.00	51.50	1900	F	SCD 10
500	MV3S500SKC	NJ2	48.50	38.40	59.00	3000	F	SCD 10
750	MV3S750SKC	NJ6	64.00	44.40	71.00	4200	F	SCD 10
1000	MV3S1000SKC	NJ6	64.00	44.40	71.00	4800	F	SCD 10
1250	MV3S1250SKC	NJ6	64.00	44.40	71.00	6200	F	SCD 10
1500	MV3S1500SKC	NJ7	64.00	51.40	75.00	6600	F	SCD 10

For shielded units, please replace the letter "C" with a "K" in the above part numbers.

*WALL MOUNTING KIT AND/OR DRIP PLATE KIT REQUIRED. REFER TO PAGES 238 TO 239 FOR DETAILS.

4160 Delta Primary Volts

600Y/347 Secondary Volts

60 Hz

kVA	Catalog Number	Case Style (Pages 226 - 234)	Approx. Dimensions (Inches)			Approx. Weight (Lbs)	Mtg Type W - Wall F - Floor	Wiring Diagram (Pages 243 - 258)
			Width	Depth	Height			
15	MV3S015SPCF	NH6	23.90	25.00	28.75	400	F or W *	SCD 8
30	MV3S030SPCF	NH6	23.90	25.00	28.75	500	F or W *	SCD 10
45	MV3S045SPCF	NH3	26.00	25.00	38.00	600	F or W *	SCD 10
75	MV3S075SPCF	NH4	32.00	29.50	41.00	900	F	SCD 10
112.5	MV3S112SPCF	NH4	32.00	29.50	41.00	1100	F	SCD 10
150	MV3S150SPCF	NJ1	39.50	34.00	51.50	1500	F	SCD 10
225	MV3S225SPCF	NJ1	39.50	34.00	51.50	1600	F	SCD 10
300	MV3S300SPC	NJ1	39.50	34.00	51.50	1900	F	SCD 10
500	MV3S500SPC	NJ2	48.50	38.40	59.00	2900	F	SCD 10
750	MV3S750SPC	NJ6	64.00	44.40	71.00	4200	F	SCD 10
1000	MV3S1000SPC	NJ6	64.00	44.40	71.00	4800	F	SCD 10
1250	MV3S1250SPC	NJ6	64.00	44.40	71.00	6200	F	SCD 10
1500	MV3S1500SPC	NJ7	64.00	51.40	75.00	6600	F	SCD 10

For shielded units, please replace the letter "C" with a "K" in the above part numbers.

*WALL MOUNTING KIT AND/OR DRIP PLATE KIT REQUIRED. REFER TO PAGES 238 TO 239 FOR DETAILS.

DOE 2016 product please see the HPS Millennium™ Medium Voltage Transformer Selection Guide (MILGMED15)

FOR TERMINATION DETAILS SEE PAGE 242

FOR ACCESSORIES SEE PAGES 238 TO 241





GENERAL INFORMATION

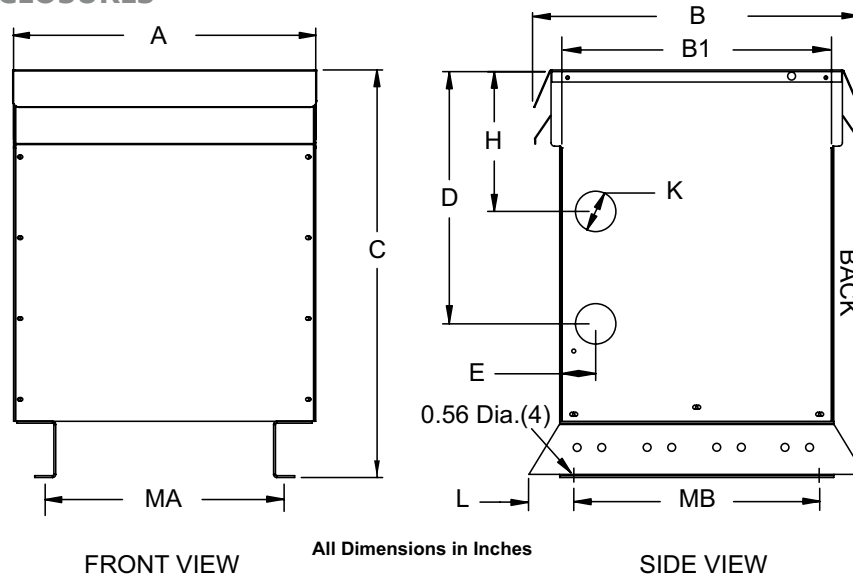
Enclosure Drawings, Connection Diagrams, Termination Details, Alpha-Numeric Part Number Index

Enclosure Dimensional Drawings	226
Conduit Size vs. Knockout Size Reference Table	230
Accessories - for General Purpose Transformers	238
Termination Details	242
Electrical Connection Diagrams	243
Alpha-Numeric Part Number Index	259
HPS Transformer Literature Request Form	276

GENERAL INFORMATION

TYPE 3R ENCLOSURE DIMENSIONAL DRAWINGS

'NH' SERIES ENCLOSURES

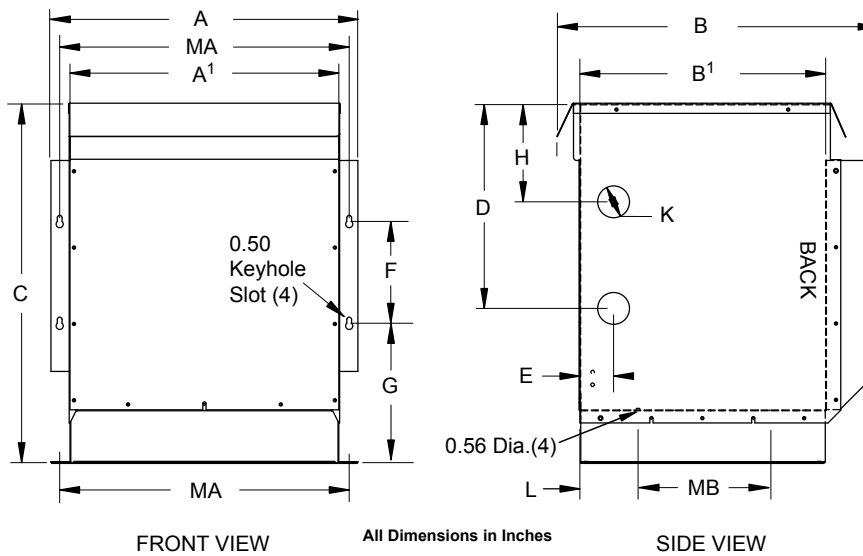


Case Style	Dimensions in Inches										
	A	B	B ¹	C	D	E	H	K ¹	L	MA	MB
NH3	26.00	25.00	24.00	38.00	24.00	2.50	14.00	2.00 X 3.00	2.50	21.50	19.00
NH4	32.00	29.50	28.50	41.00	24.00	2.50	12.00	2.00 X 3.00	2.50	23.50	23.50

Note: Mounting hole dimension is 0.56" diameter.

OPTIONAL TYPE 4, 12 AND STAINLESS STEEL ENCLOSURES ARE AVAILABLE. SEE PAGE 233 FOR DETAILS.

¹ Knockout (K) sizes are actual diameters of knockout, not conduit sizes. Refer to table on page 230 for conduit sizes.



Case Style	Dimensions in Inches													
	A	A ¹	B	B ¹	C	D	E	F	G	H	K ¹	L	MA	MB
NH5	19.40	16.75	20.20	15.00	21.50	12.00	2.00	7.00	7.81	6.00	1.38 X 1.75	2.80	18.00	9.00
NH6	23.90	21.50	25.00	19.50	28.75	17.00	2.00	8.00	10.29	8.50	1.38 X 2.50	5.20	22.75	9.00

Note: Mounting hole dimension is 0.56" diameter.

OPTIONAL TYPE 4, 12 AND STAINLESS STEEL ENCLOSURES ARE AVAILABLE. SEE PAGE 233 FOR DETAILS.

¹ Knockout (K) sizes are actual diameters of knockout, not conduit sizes. Refer to table on page 230 for conduit sizes.

GENERAL INFORMATION

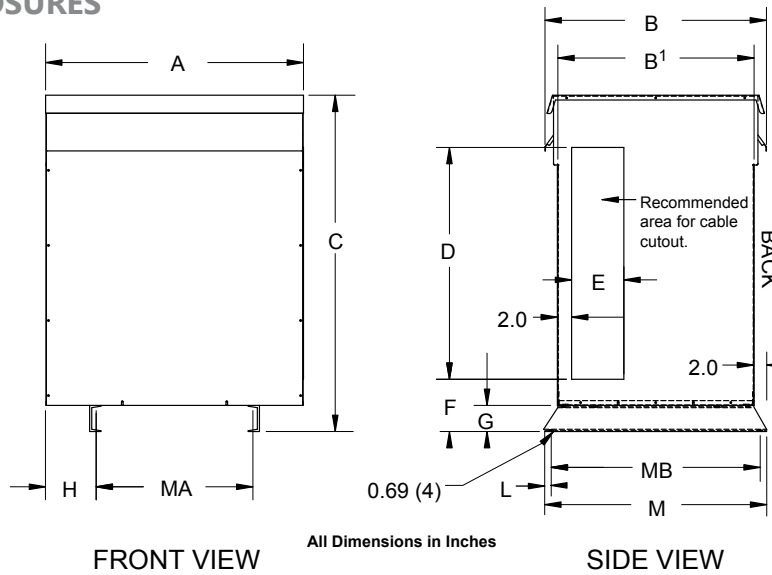
Note: For DOE 2016 product information please see the HPS Sentinel® Energy Efficient Distribution Transformer Selection Guide (DOESEL15) or the HPS Millennium™ G Medium Voltage Transformer Selection Guide (MILGMED15)



GENERAL INFORMATION

TYPE 3R ENCLOSURE DIMENSIONAL DRAWINGS

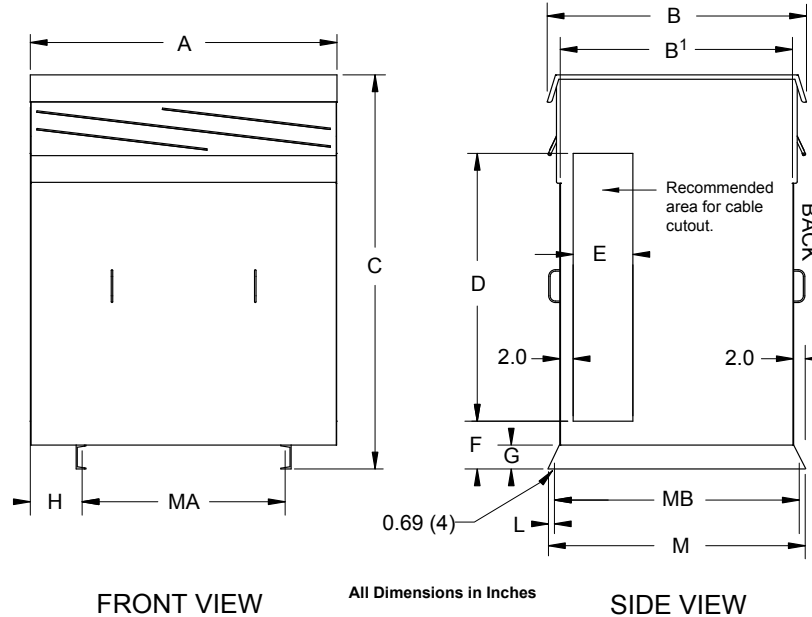
'NJ' SERIES ENCLOSURES



Case Style	Dimensions in Inches												
	A	B	B ¹	C	D	E	F	G	H	L	M	MA	MB
NJ1*	39.50	34.00	30.00	51.50	35.50	6.00	8.00	4.00	7.75	1.00	34.00	24.00	32.00
NJ2	48.50	38.40	34.00	59.00	40.00	8.00	8.00	4.00	10.50	1.00	38.00	27.50	36.00
NJ4	32.00	32.50	28.50	50.00	34.00	8.00	8.00	4.00	5.00	1.00	32.50	22.00	30.50

Note: Mounting hole dimension is 0.69" diameter.

*OPTIONAL TYPE 4, 12 AND STAINLESS STEEL ENCLOSURE AVAILABLE. SEE PAGE 234 FOR DETAILS.



Case Style	Dimensions in Inches												
	A	B	B ¹	C	D	E	F	G	H	L	M	MA	MB
NJ3	51.50	43.40	39.00	66.00	47.00	10.00	8.00	4.00	8.75	1.00	43.00	34.00	41.00
NJ6	64.00	44.40	40.00	71.00	50.00	11.50	9.00	5.00	12.00	1.00	44.00	40.00	42.00
NJ7	64.00	51.40	47.00	75.00	54.00	11.50	9.00	5.00	12.00	1.00	51.00	40.00	49.00

Note: Mounting hole dimension is 0.69" diameter.

GENERAL INFORMATION

Note: For DOE 2016 product information please see the HPS Sentinel® Energy Efficient Distribution Transformer Selection Guide (DOESEL15) or the HPS Millennium™ G Medium Voltage Transformer Selection Guide (MILGMED15)

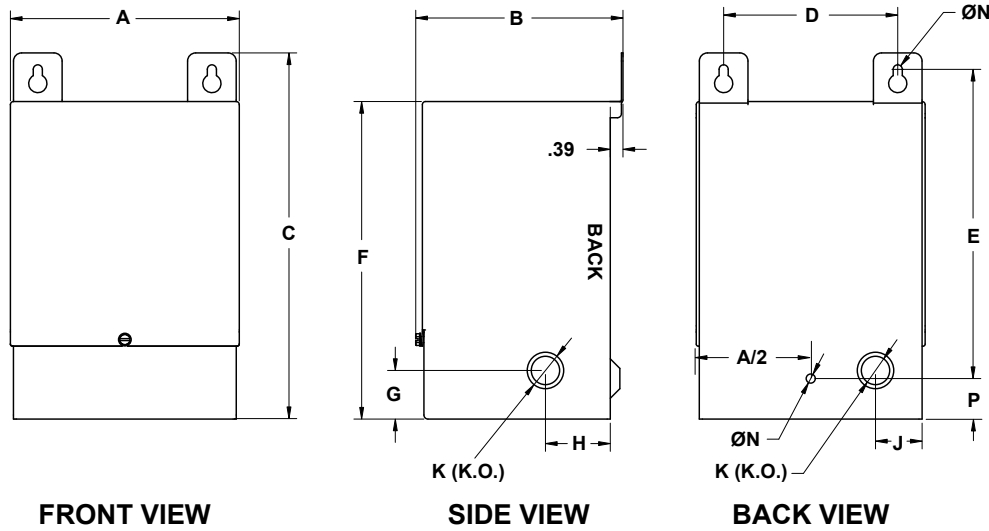


GENERAL INFORMATION

TYPE 3R ENCLOSURE DIMENSIONAL DRAWINGS

'NQ' SERIES ENCLOSURES

Figure 1

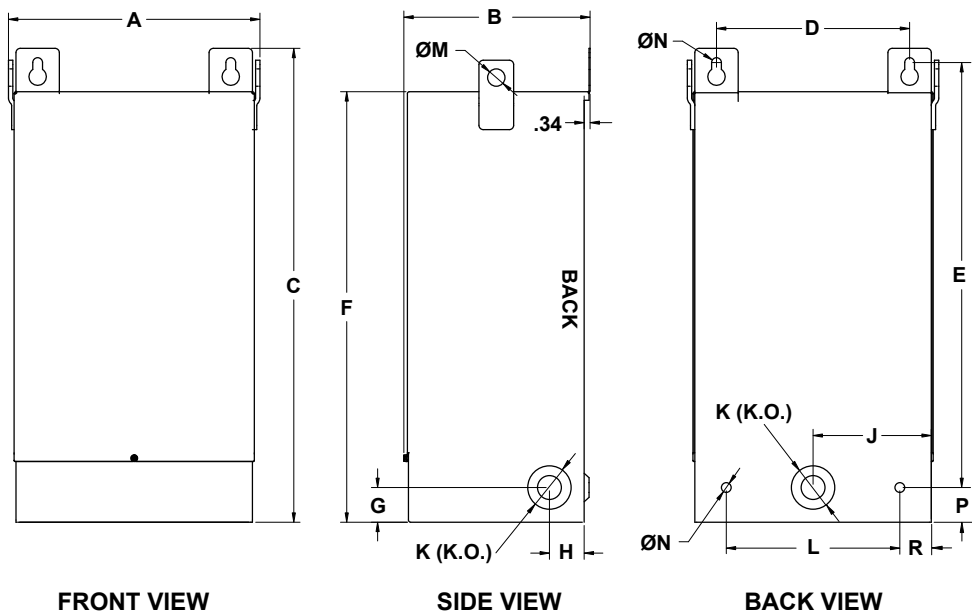


Case Style	Fig #	Dimensions in Inches														
		A	B	C	D	E	F	G	H	J	K ¹	L	M	N	P	R
NQ0	1	3.69	5.06	7.19	2.50	5.63	6.19	1.50	2.00	--	0.88	--	--	0.22	1.25	--
NQ1	1	4.31	5.56	7.19	3.13	5.63	6.13	1.50	2.00	0.81	0.88	--	--	0.22	1.25	--
NQ2	1	5.06	4.56	9.30	3.88	7.75	8.30	1.50	2.00	1.00	0.88 X 1.13 X 1.38	--	--	0.22	1.25	--
NQ3	1	5.88	5.19	10.56	4.13	8.31	9.06	1.50	2.00	1.25	0.88 X 1.13 X 1.38	--	--	0.28	1.25	--
NQ4	1	7.06	6.25	11.75	5.38	10.00	10.30	1.75	2.00	1.50	0.88 X 1.13 X 1.38	--	--	0.28	1.25	--
NQ5	2	10.00	7.75	17.25	7.38	15.38	15.25	2.375	2.00	4.00	1.13 X 1.38	6.00	0.75	0.44	1.25	1.68
NQ6A	2	12.25	9.25	17.63	9.38	14.88	15.56	2.00	2.00	5.00	1.38 X 2.50	8.00	0.75	0.44	2.00	1.68
NQ6	2	12.25	9.25	20.88	9.38	18.13	18.88	2.00	2.00	5.00	1.38 X 2.50	8.00	0.75	0.44	2.00	1.68
NQ7	2	14.50	10.75	21.38	11.63	18.63	19.38	2.00	2.00	6.00	1.38 X 2.50	10.00	0.75	0.44	2.00	1.81
NQ8	2	14.50	10.75	27.38	11.13	24.50	24.88	2.00	2.00	6.00	1.38 X 2.50	10.00	0.75	0.56	2.00	1.81

¹ Knockout (K) sizes are actual diameters of knockout, not conduit sizes. Refer to table on page 230 for conduit sizes.

OPTIONAL STAINLESS STEEL ENCLOSURES ARE AVAILABLE.

Figure 2



GENERAL INFORMATION

Note: For DOE 2016 product information please see the HPS Sentinel® Energy Efficient Distribution Transformer Selection Guide (DOESEL15) or the HPS Millennium™ G Medium Voltage Transformer Selection Guide (MILGMED15)

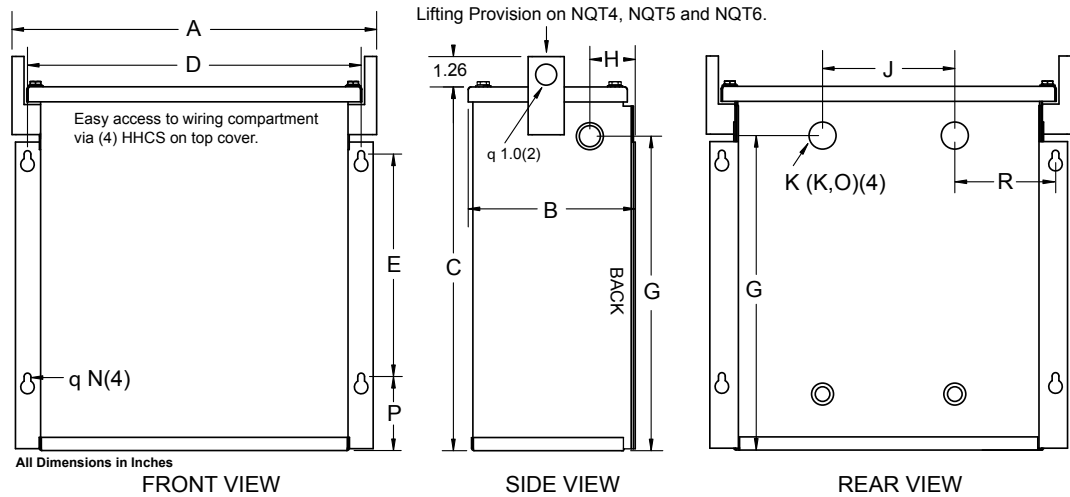


GENERAL INFORMATION

TYPE 3R ENCLOSURE DIMENSIONAL DRAWINGS

'NQT & NQS' SERIES ENCLOSURES

Figure 1

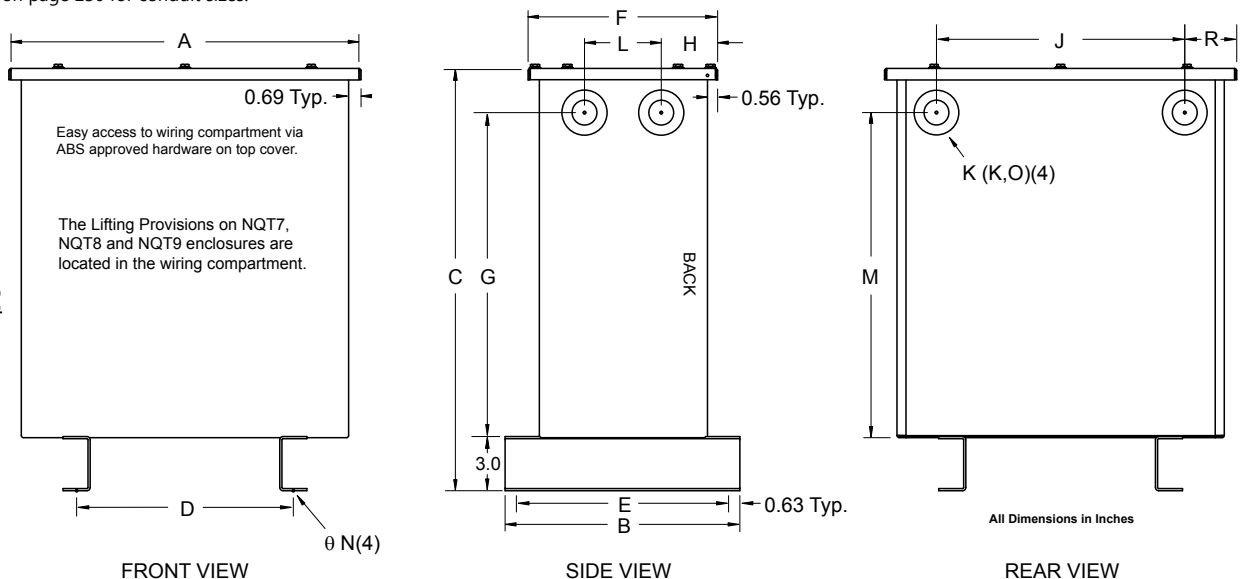


Case Style	Fig #	Dimensions in Inches															
		A	B	C	D	E	F	G	H	J	K ¹	L	M	N	P	R	
NQT2	1	9.38	4.94	8.63	8.38	4.00	-	7.06	2.38	4.50	0.88 X 1.13	-	-	0.28	1.81	2.44	
NQT3	1	12.38	5.44	11.13	11.38	6.50	-	9.50	2.38	5.50	0.88 X 1.13	-	-	0.28	1.81	3.44	
NQT4	1	15.19	6.94	15.13	13.88	9.25	-	13.56	1.88	5.50	0.88 X 1.13	-	-	0.28	3.06	4.19	
NQT5	1	16.63	10.25	16.63	14.50	8.25	-	13.88	2.69	10.00	1.38 X 1.75	-	-	0.41	4.50	2.25	
NQT6	1	19.25	10.44	16.63	17.50	8.25	-	13.56	2.69	12.50	1.38 X 2.50	-	-	0.41	4.50	2.50	
NQT7	2	20.25	13.00	23.38	12.00	11.75	11.38	17.94	2.50	13.75	1.38 X 2.50	4.25	17.94	0.56	-	2.13	
NQT8	2	22.25	13.00	28.38	14.00	11.75	11.38	21.94	2.50	15.75	1.38 X 2.50	4.25	21.94	0.56	-	2.13	
NQT9	2	31.25	16.00	29.88	18.00	14.75	14.13	23.94	2.75	22.75	2.00 X 3.00	6.50	23.94	0.56	-	3.13	
NQT9A	2	34.63	18.50	36.75	22.50	17.25	16.50	30.38	4.69	27.25	2.00 X 3.00	6.50	30.38	0.56	-	3.31	
NQS10	2	21.88	18.50	31.00	13.50	17.25	16.50	24.63	4.91	13.13	1.75 X 2.50	6.50	24.63	0.56	-	4.00	
NQT10	3	38.44	26.00	39.13	23.50	24.00	20.80	32.50	6.40	24.75	2.50 X 3.63	8.00	32.50	0.69	-	6.84	
NQT11	3	37.38	30.00	45.63	23.50	28.00	22.00	39.00	6.95	24.75	2.50 X 3.63	8.00	39.00	0.69	-	6.31	

¹ Knockout (K) sizes are actual diameters of knockout, not conduit sizes. Refer to table on page 230 for conduit sizes.

OPTIONAL STAINLESS STEEL ENCLOSURES ARE AVAILABLE.

Figure 2



Note: For DOE 2016 product information please see the HPS Sentinel® Energy Efficient Distribution Transformer Selection Guide (DOESEL15) or the HPS Millennium™ G Medium Voltage Transformer Selection Guide (MILGMED15)



GENERAL INFORMATION

TYPE 3R ENCLOSURE DIMENSIONAL DRAWINGS CONTINUED

'NQT & NQS' SERIES ENCLOSURES

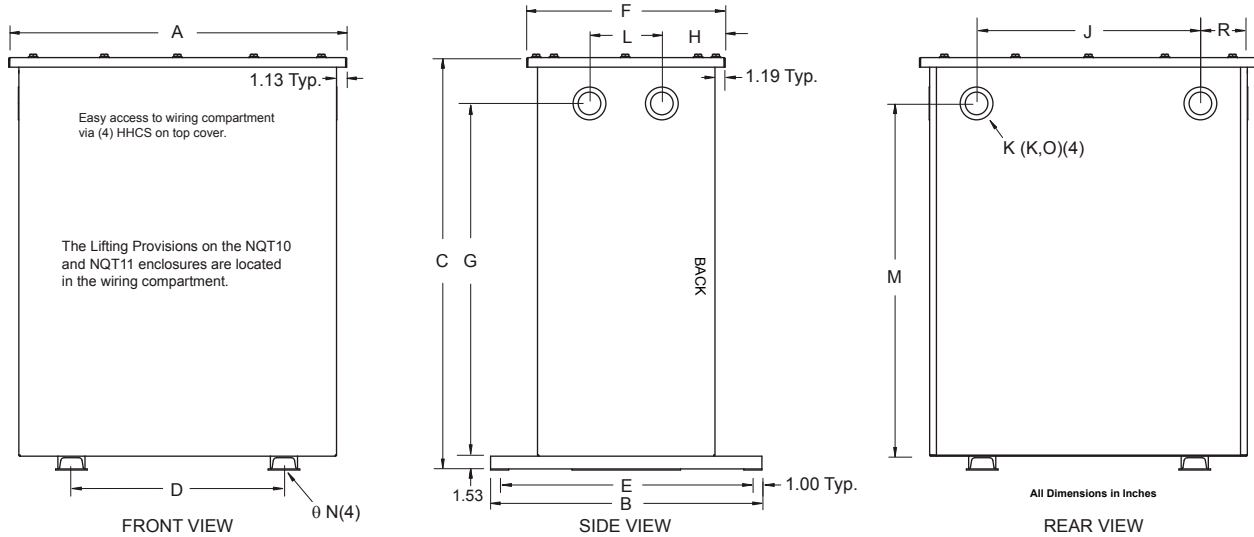
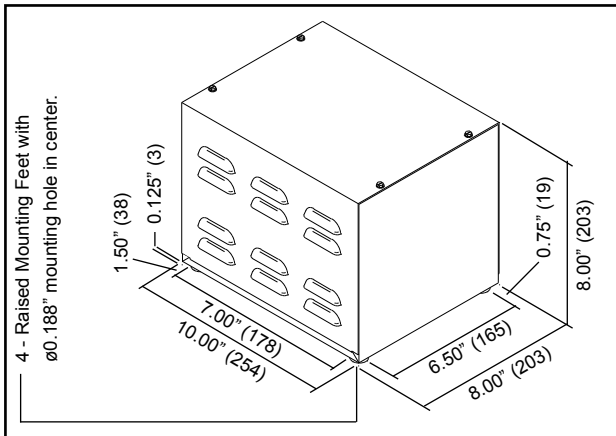


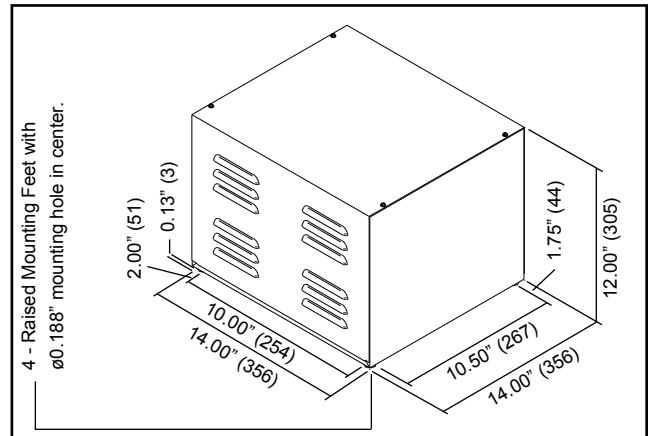
Figure 3

TYPE 2 ENCLOSURE DIMENSIONAL DRAWINGS

'N1' SERIES ENCLOSURE



'N2' SERIES ENCLOSURE



Conduit Size vs. Actual Knockout Size Reference Table

Standard Conduit Size	Actual Knockout Diameter
1/2"	7/8"
3/4"	1 1/8"
1"	1 3/8"
1 1/4"	1 3/4"
1 1/2"	2"
2"	2 1/2"
2 1/2"	3"
3"	3 5/8"
3 1/2"	4 1/8"

Please note the above table is not applicable for Stainless Steel enclosures.

Note: For DOE 2016 product information please see the HPS Sentinel® Energy Efficient Distribution Transformer Selection Guide (DOESEL15) or the HPS Millennium™ G Medium Voltage Transformer Selection Guide (MILGMED15)

GENERAL INFORMATION

TYPE 1 ENCLOSURE DIMENSIONAL DRAWINGS

CH SERIES ENCLOSURES

Figure 1

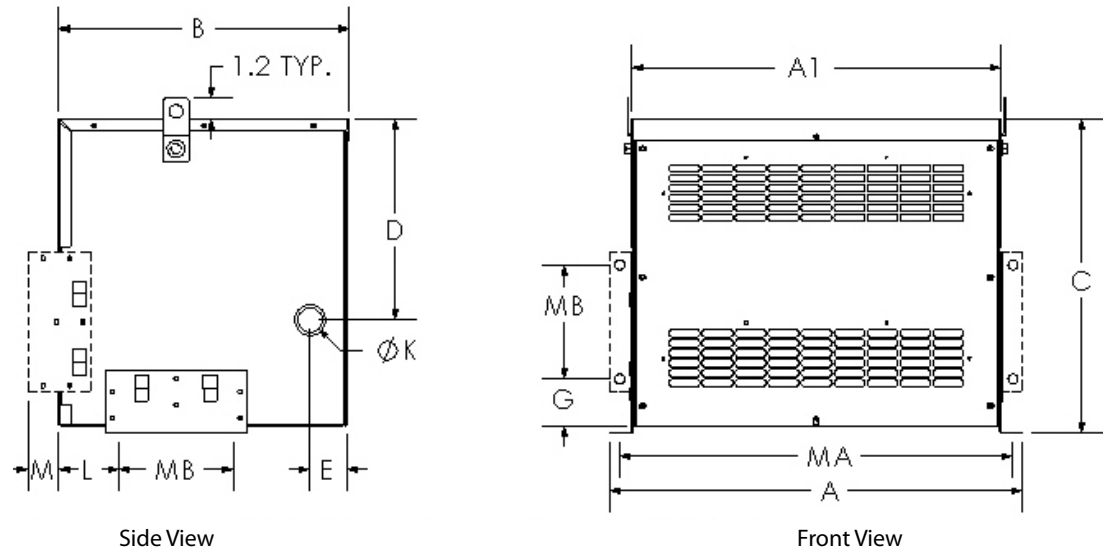
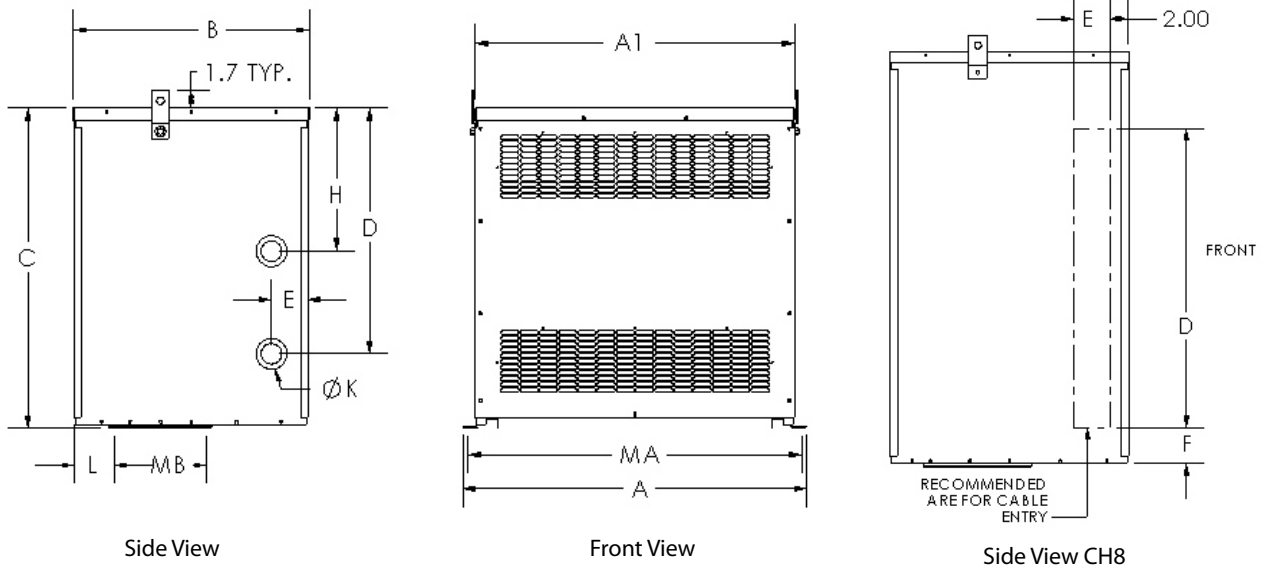


Figure 2



Style	Fig #	A	B	A1	C	D	E	F	G	H	K	L	M	MA	MB	Opt. Sprinkler Hood Kit Part Number
CH1	1	21.4	12.5	19.0	16.5	10.0	2.1	-	2.7	-	1.38 X 1.75	1.5	0.3	20.2	6.5	SHCH1
CH2	1	23.5	16.5	21.0	17.9	11.4	2.1	-	3.4	-	1.38 X 1.75	3.4	1.8	22.4	6.5	SHCH2-3
CH3	1	24.1	17.0	21.6	23.9	17.4	2.1	-	6.3	-	1.75 X 2.50	3.6	1.8	23.0	6.5	SHCH2-3
CH4	1	26.1	20.5	23.6	25.9	19.4	2.3	-	6.3	-	2.00 X 3.00	4.0	1.8	25.0	6.5	SHCH4
CH5	1	28.1	21.3	25.6	28.9	22.4	2.3	-	-	12.4	2.00 X 3.00	5.0	-	27.0	6.5	SHCH5
CH6	2	33.5	23.0	31.1	31.2	24.0	3.7	-	-	14.0	2.00 X 3.00	4.0	-	32.5	9.0	SHCH6
CH7	2	33.5	24.0	31.1	40.8	24.0	3.7	-	-	14.0	2.00 X 3.00	4.4	-	32.5	9.0	SHCH7
CH8	2	35.5	26.5	33.1	45.8	33.0	4.0	4.0	-	-	-	5.0	-	34.5	9.5	SHCH8

*CH1 through CH4 include provision for wall mounting

Dimensions in inches

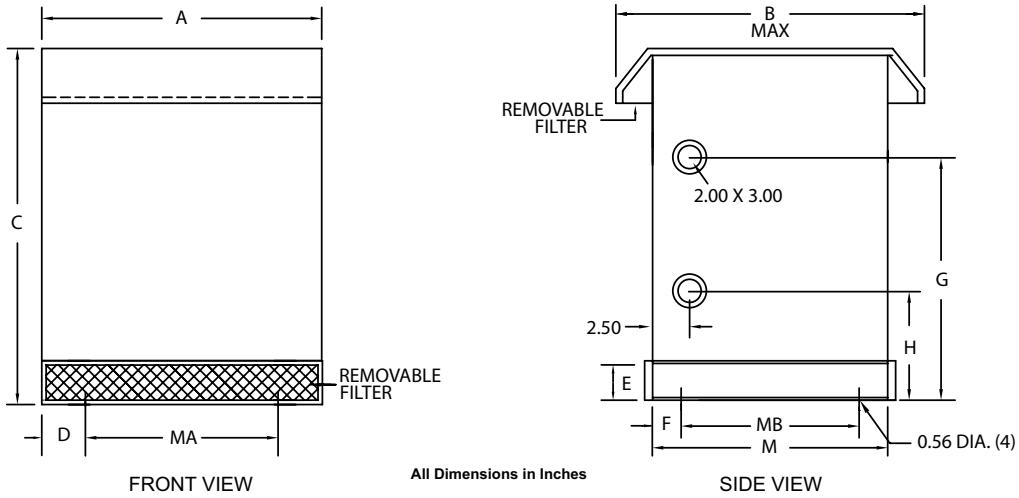
GENERAL INFORMATION

Note: For DOE 2016 product information please see the HPS Sentinel® Energy Efficient Distribution Transformer Selection Guide (DOESEL15) or the HPS Millennium™ G Medium Voltage Transformer Selection Guide (MILGMED15)



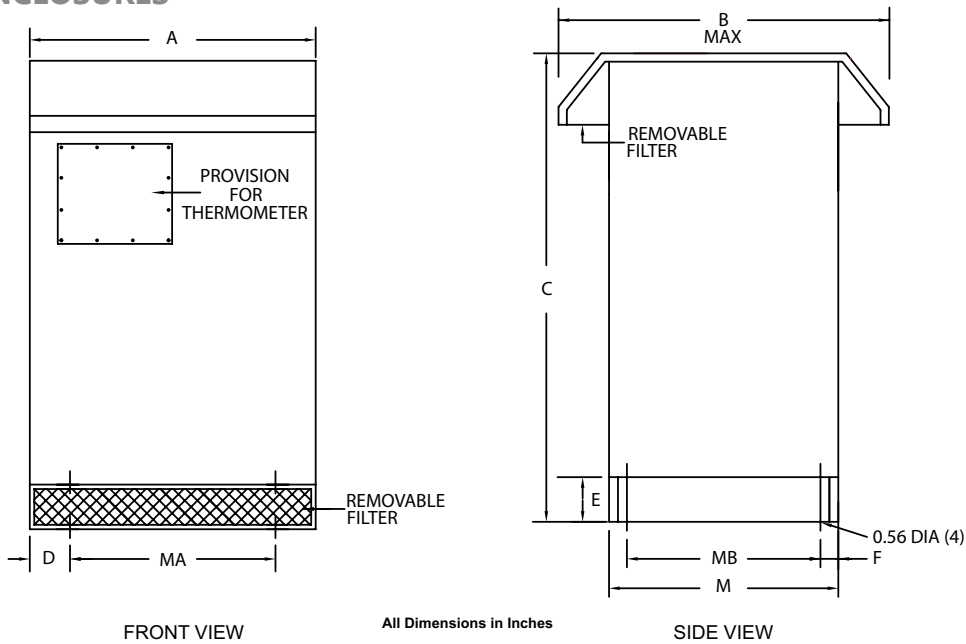
GENERAL INFORMATION

TYPE 3RE ENHANCED ENCLOSURE DIMENSIONAL DRAWINGS 'NH' SERIES ENCLOSURES



Case Style	Dimensions in Inches										
	A	B	C	D	E	F	G	H	MA	MB	M
NH3-N3RE	26.00	38.00	42.00	2.25	8.00	0.75	26.00	18.00	21.50	19.00	20.63
NH4-N3RE	32.00	42.00	45.00	4.25	8.00	0.75	29.00	18.00	23.50	23.50	25.13

'NJ' SERIES ENCLOSURES



Case Style	Dimensions in Inches									
	A	B	C	D	E	F	MA	MB	M	
NJ1-N3RE	39.50	55.00	57.50	7.63	10.00	1.00	24.00	32.00	34.00	
NJ2-N3RE	48.50	60.00	65.00	10.38	10.00	1.00	27.50	36.00	38.00	
NJ3-N3RE	51.50	65.00	72.00	8.52	10.00	1.00	34.00	41.00	43.00	
NJ4-N3RE	32.00	54.00	56.00	4.88	10.00	1.00	22.00	30.50	32.50	
NJ6-N3RE	64.00	70.00	83.00	12.00	12.00	1.00	40.00	42.00	44.00	
NJ7-N3RE	64.00	77.00	83.00	12.00	12.00	1.00	40.00	49.00	51.00	

GENERAL INFORMATION

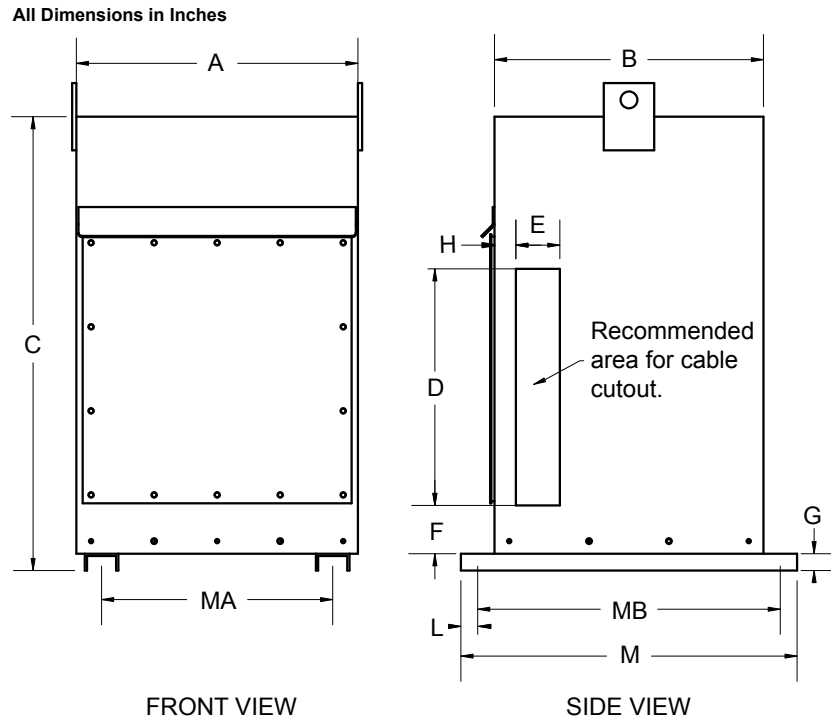
Note: For DOE 2016 product information please see the HPS Sentinel® Energy Efficient Distribution Transformer Selection Guide (DOESEL15) or the HPS Millennium™ G Medium Voltage Transformer Selection Guide (MILGMED15)



GENERAL INFORMATION

OPTIONAL TYPE 4 & 12 ENCLOSURE DIMENSIONAL DRAWINGS

'NH-N4 & NH-N12' SERIES ENCLOSURES



Case Style	Dimensions in Inches											
	A	B	C	D	E	F	G	H	L	M	MA	MB
NH5-N4, NH5-N12	16.75	16.00	27.00	16.00	4.00	4.00	1.00	2.00	1.00	20.00	13.75	18.00
NH6-N4, NH6-N12	21.50	21.00	41.00	24.00	5.00	4.00	1.00	2.00	1.00	25.00	17.00	23.00
NH3-N4, NH3-N12	28.00	23.00	55.50	32.00	6.00	4.00	1.50	2.00	1.00	27.00	21.50	25.00
NH4-N4, NH4-N12	34.00	27.00	61.50	36.00	7.00	4.00	1.50	2.00	1.00	31.00	23.50	29.00

Note: Mounting hole dimension is 0.69" diameter.

Optional Type 4 & 12 Stainless Steel Enclosures

Optional type 4 and 12 rated stainless steel enclosures are available and are designed using either type 304 or 316 stainless steel in accordance with ANSI, NEMA, UL and ABS requirements for indoor, outdoor and marine duty applications.

GENERAL
INFORMATION

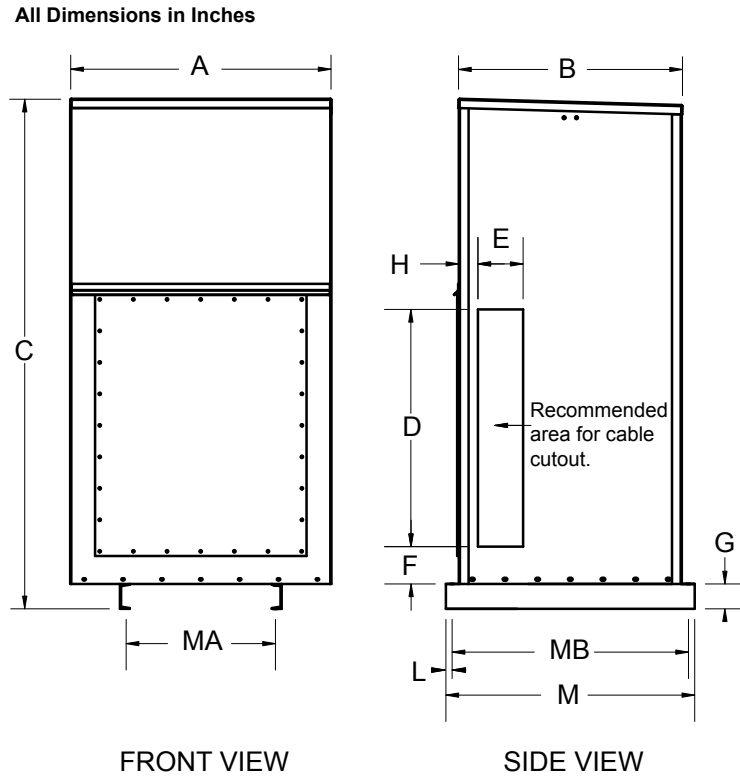
Note: For DOE 2016 product information please see the HPS Sentinel® Energy Efficient Distribution Transformer Selection Guide (DOESEL15) or the HPS Millennium™ G Medium Voltage Transformer Selection Guide (MILGMED15)



GENERAL INFORMATION

OPTIONAL TYPE 4 & 12 ENCLOSURE DIMENSIONAL DRAWINGS

'NJ-N4 & NJ-N12' SERIES ENCLOSURES



Case Style	Dimensions in Inches											
	A	B	C	D	E	F	G	H	L	M	MA	MB
NJ1-N4, NJ1-N12	42.00	36.00	82.00	40.00	8.00	6.00	4.00	3.00	1.00	40.00	24.00	38.00

Note: Mounting hole dimension is 0.69" diameter.

GENERAL
INFORMATION

Optional Type 4 & 12 Stainless Steel Enclosures

Optional type 4 and 12 rated stainless steel enclosures are available and are designed using either type 304 or 316 stainless steel in accordance with ANSI, NEMA, UL and ABS requirements for indoor, outdoor and marine duty applications.

Note: For DOE 2016 product information please see the HPS Sentinel® Energy Efficient Distribution Transformer Selection Guide (DOESEL15) or the HPS Millennium™ G Medium Voltage Transformer Selection Guide (MILGMED15)

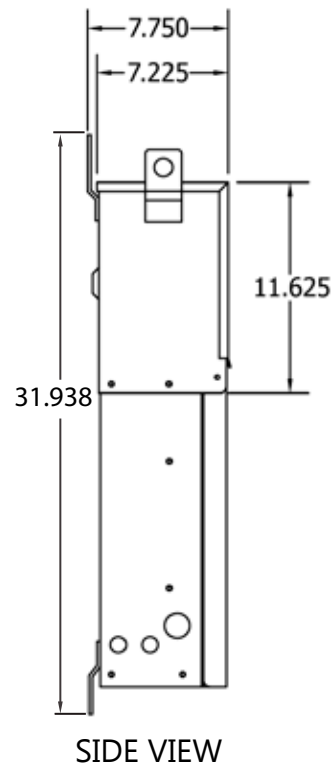
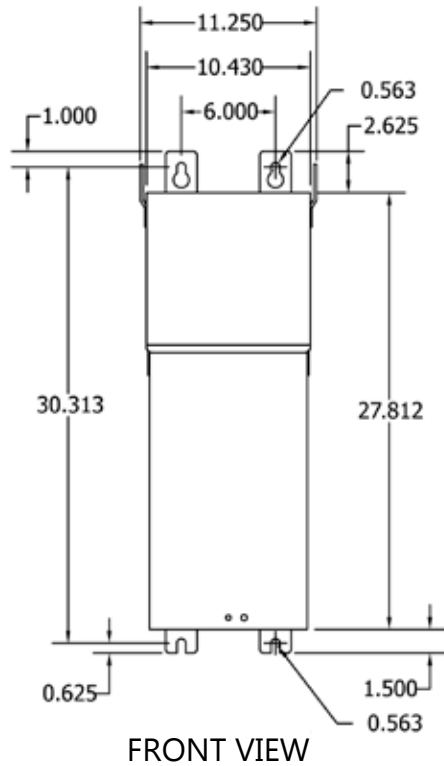


GENERAL INFORMATION

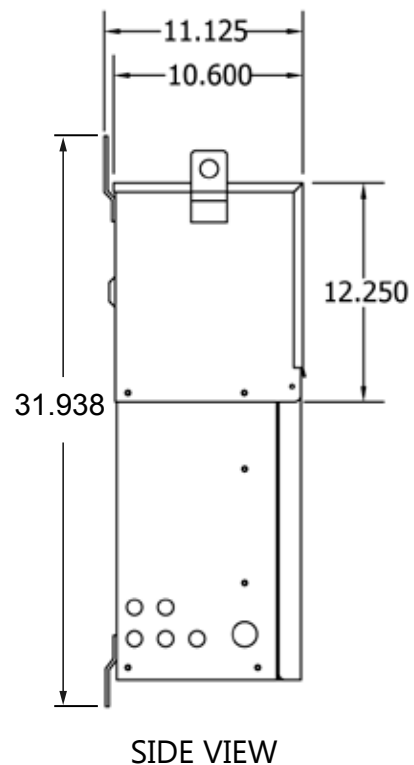
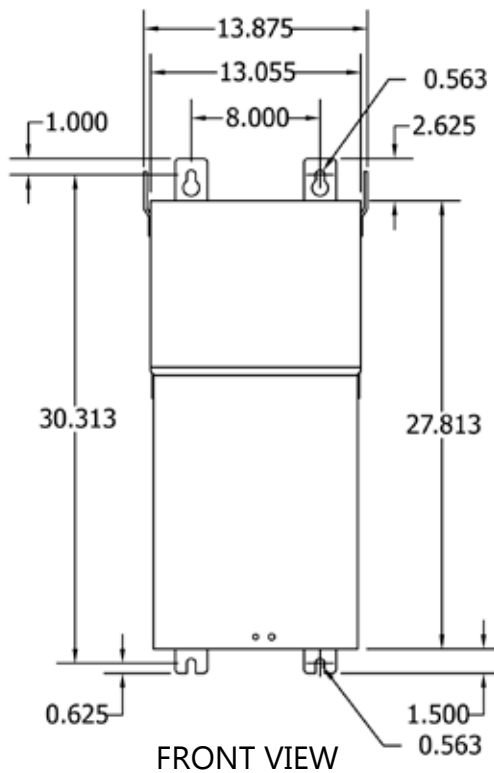
TYPE 3R ENCLOSURE DIMENSIONAL DRAWINGS

'PPE1 - PPE5' SERIES ENCLOSURES

PPE1



PPE2



GENERAL
INFORMATION

Note: For DOE 2016 product information please see the HPS Sentinel® Energy Efficient Distribution Transformer Selection Guide (DOESEL15) or the HPS Millennium™ G Medium Voltage Transformer Selection Guide (MILGMED15)

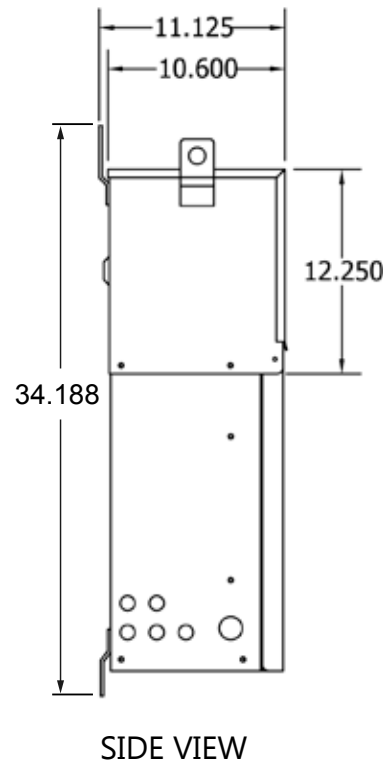
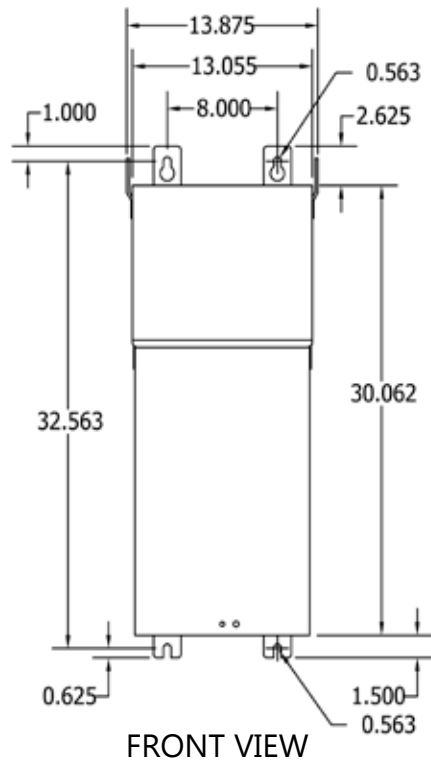


GENERAL INFORMATION

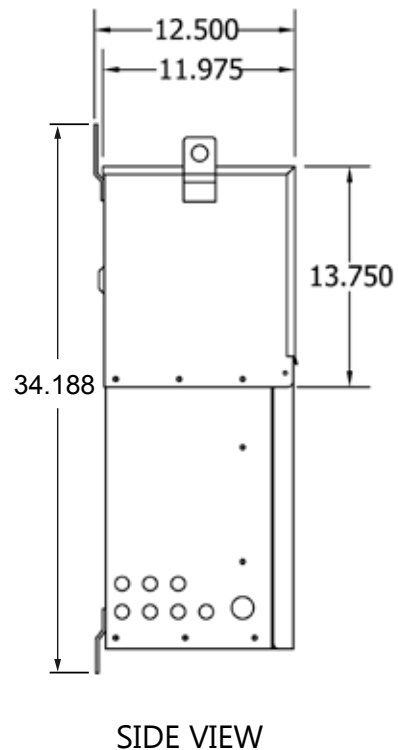
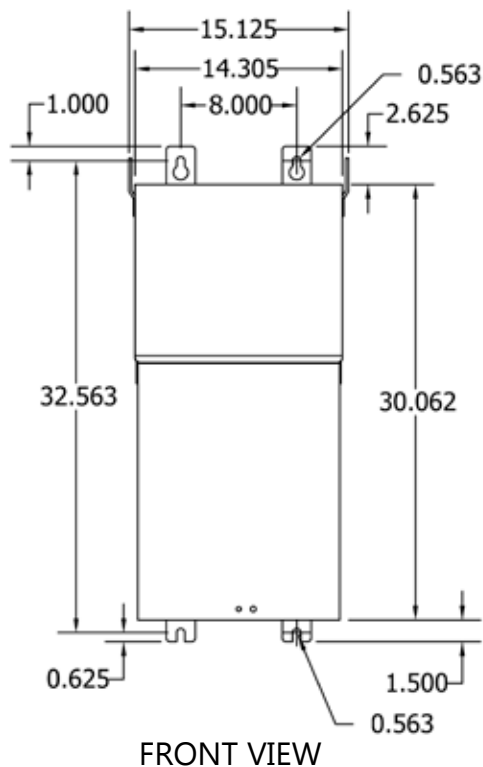
TYPE 3R ENCLOSURE DIMENSIONAL DRAWINGS

'PPE1 - PPE5' SERIES ENCLOSURES CONTINUED

PPE3



PPE4



GENERAL
INFORMATION

Note: For DOE 2016 product information please see the HPS Sentinel® Energy Efficient Distribution Transformer Selection Guide (DOESEL15) or the HPS Millennium™ G Medium Voltage Transformer Selection Guide (MILGMED15)

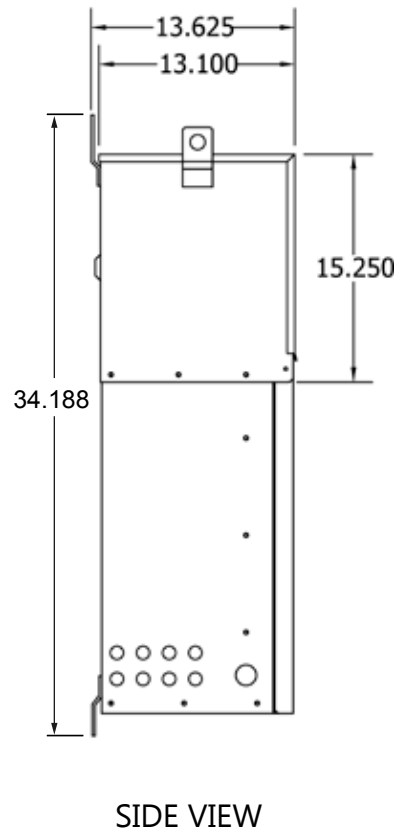
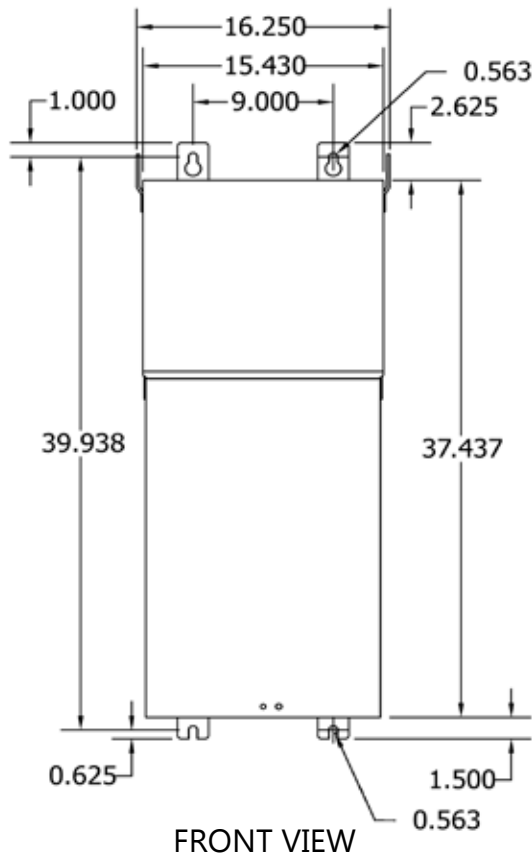


GENERAL INFORMATION

TYPE 3R ENCLOSURE DIMENSIONAL DRAWINGS

'PPE1 - PPE5' SERIES ENCLOSURES CONTINUED

PPE5



GENERAL
INFORMATION

Note: For DOE 2016 product information please see the HPS Sentinel® Energy Efficient Distribution Transformer Selection Guide (DOESEL15) or the HPS Millennium™ G Medium Voltage Transformer Selection Guide (MILGMED15)



GENERAL INFORMATION

ACCESSORIES (for transformers listed in sections 3, 4, 7, 10 and 11)

ENCLOSURE MOUNTING KITS

If wall and/or ceiling mounting is desired for a transformer, optional mounting kits can be ordered separately. These mounting kits are NOT available for all enclosure case styles. Therefore, it is important that you confirm your enclosure case style, then use the selection table to the right to determine if A) a mounting kit is available and B) determine the correct HPS "Mounting Kit" part number that you must order. One kit is required for each transformer.

Note: Some of the mounting kits can be used for both wall and ceiling mount, while others are for wall mounting only. The table indicates which mounting methods are available for each kit. The NW2 wall/ceiling mounting kit also includes a drip plate.

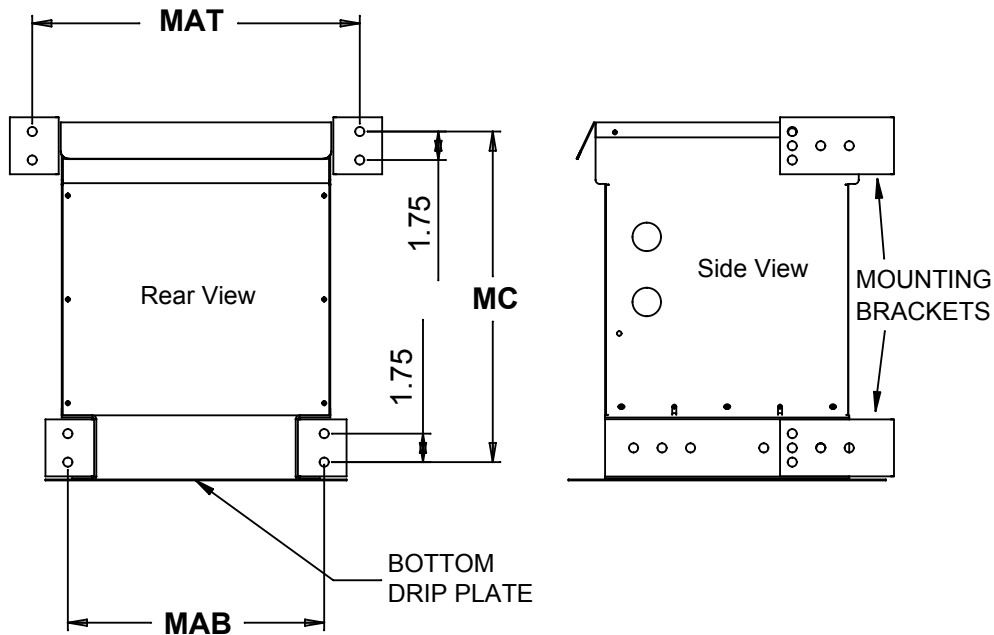
The NW2 wall/ceiling mounting kit is only designed for units up to 800 pounds (341 kg) maximum.

Enclosure Case Style	Wall Mount Available	Ceiling Mount Available	HPS Mounting Kit P/N
N1	No	No	N/A
N2	No	No	N/A
NH3	Yes	Yes	NW2
NH4	No	No	N/A
NH5	Yes	Yes	NH5DP
NH6	Yes	Yes	NH6DP
NJ Series	No	No	N/A

NW2 WALL/CEILING MOUNTING KITS

The following drawings detail the wall and ceiling mounting dimensions required and method by which the NW2 kits are installed on the NH3 enclosures.

NW2 WALL MOUNT - MOUNTING DIMENSIONS



Wall Mounting Dimensions				
Part No.	Enclosure	MAT	MAB	MC
NW2	NH3	29.375	23.50	36.50

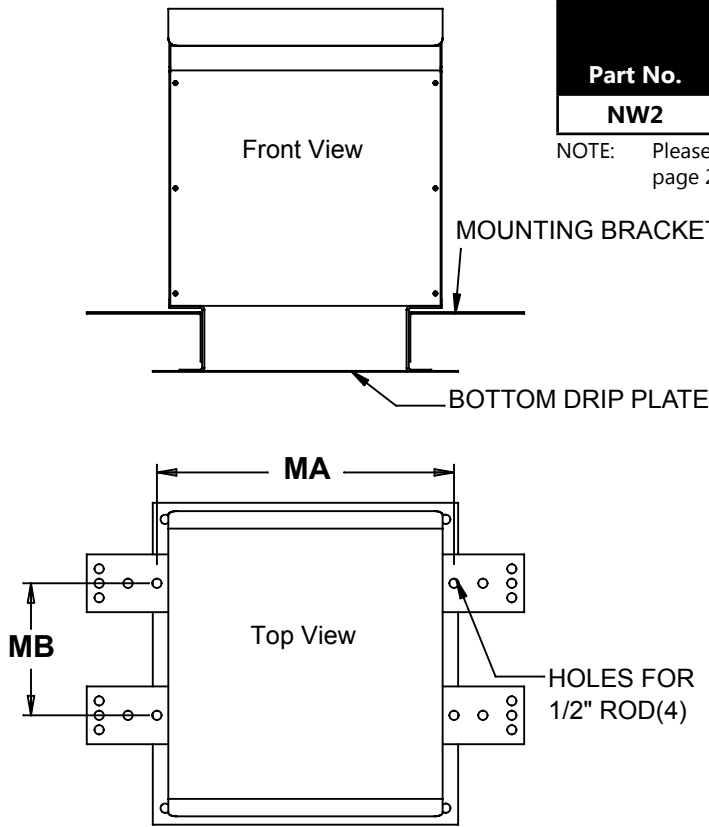
NOTE: Please refer to enclosure dimensional drawings on page 226 for more detailed dimensional information.

GENERAL INFORMATION

GENERAL INFORMATION

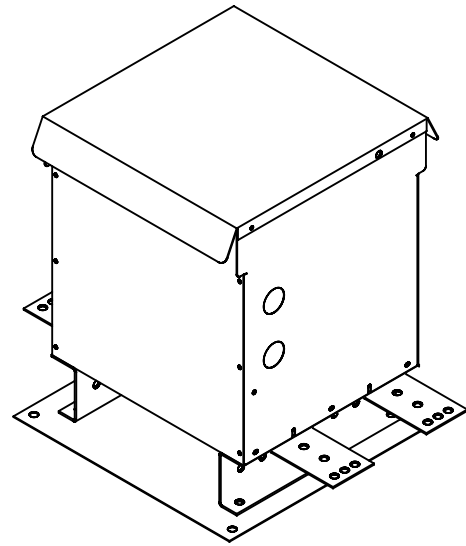
ACCESSORIES (for transformers listed in sections 3, 4, 7, 10 and 11)

NW2 CEILING MOUNT - MOUNTING DIMENSIONS



Ceiling Mounting Dimensions			
Part No.	Enclosure	MA	MB
NW2	NH3	26.50	11.75

NOTE: Please refer to enclosure dimensional drawings on page 226 for more detailed dimensional information.

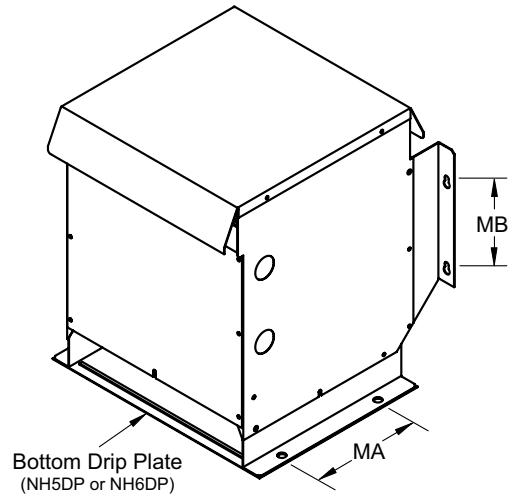


NH5DP & NH6DP WALL/CEILING MOUNTING KITS

The NH5 and NH6 enclosures are designed with integral wall mounting capabilities. However, when you wall mount them, you must also install the bottom drip plate as shown below. The "MB" dimensions listed in the table below indicate the location for the wall mounting hardware.

For ceiling mounting of the NH5 and NH6, refer to the "MA" dimensions listed in the table below and hang the enclosure using appropriate sized ceiling hanger rods. However, you must be sure to install the bottom drip plate to the bottom of the enclosure, then bring the hanger rod down through both the enclosure bottom mounting holes and through the drip plate mounting holes and install mounting hardware.

NOTE: Do not ceiling mount either the NH5 or NH6 enclosures without installing the bottom drip plate. All mounting hardware should be rated Grade 8 or higher.



Mounting Kit P/N	Enclosure Style	MA Dimension	MB Dimension
NH5DP	NH5	9.00	7.00
NH6DP	NH6	9.00	8.00

NOTE: Please refer to enclosure dimensional drawings on page 226 for more detailed dimensional information.

GENERAL INFORMATION



GENERAL INFORMATION

ACCESSORIES (for transformers listed in sections 3, 4, 7, 10 and 11)

ANTI-VIBRATION PAD AND VIBRATION ISOLATOR KITS

All standard transformers come with installed internal vibration absorbing pads to minimize noise during operation. Optional external "anti-vibration" pad and "vibration isolator" (for higher noise dampening) kits can be used to reduce operating noise even further. All are resistant to industrial contaminants like oils, acids and alkalis.

ANTI-VIBRATION PAD KITS

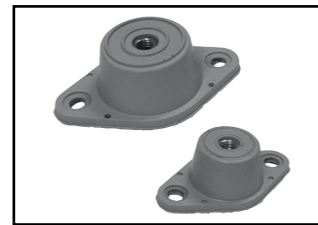
Part No.	Case Style	Description
P1	NH Series	Set of four (4) rubber anti-vibration pads which replace the standard steel enclosure washers.
P2	NJ Series	



All Anti-Vibration Pad kits and Vibration Isolator kits contain a set of four (4) pads or isolators. Therefore only one kit is required per transformer.

VIBRATION ISOLATOR KITS

Part No.	Transformer Weight (Lb)	Description
NMP1	Up to 340 lbs	Set of four (4) molded neoprene and steel plate assemblies that virtually eliminate vibration noise between the transformer and the mounting surface.
NMP2	341 to 680 lbs	
NMP3	681 to 1040 lbs	
NMP4	1041 to 1740 lbs	
NMP5	1741 to 2330 lbs	
NMP6	2331 to 3450 lbs	
NMP7	3451 to 4690 lbs	

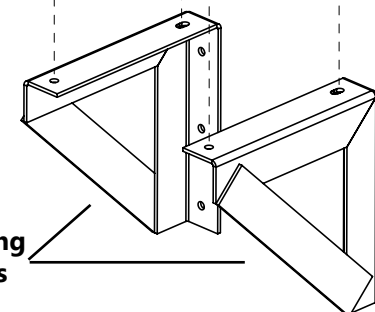
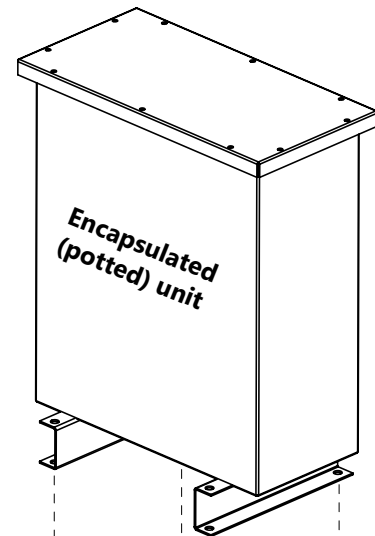


ACCESSORIES (for transformers listed in sections 8 and 10)

NQTW1 and NQTW2 Wall Mounting Kits

The **NQTW1** and **NQTW2** wall mounting kits are specifically designed for HPS commercial or industrial encapsulated (potted) distribution transformer units up to a maximum of 45kVA or 800 pounds (363 kg). These mounting kits are designed for encapsulated (potted) units only, no drip plate is included/required. Please contact HPS customer service if you have any questions.

Note: Always measure and secure mounting brackets to the wall surface first, then lift the transformer (using appropriate lifting equipment) onto the brackets and attach using minimum Grade 8 hardware.



Mounting Brackets

Enclosure Case Style	Mounting Type	Wall Mounting Kit Part Number
NQ0-NQ8	Wall	Included
NQS10	Wall or Floor	NQTW2
NQT3-NQT6	Wall	Included
NQT7-NQT8	Wall or Floor	NQTW1
NQT9A	Floor	N/A
NQT9*	Wall or Floor	NQTW2

*Applies to HPS Fortress line only.

Note: For DOE 2016 product information please see the HPS Sentinel® Energy Efficient Distribution Transformer Selection Guide (DOESEL15) or the HPS Millennium™ G Medium Voltage Transformer Selection Guide (MILGMED15)



GENERAL INFORMATION

ACCESSORIES (for transformers listed in sections 8 and 10)

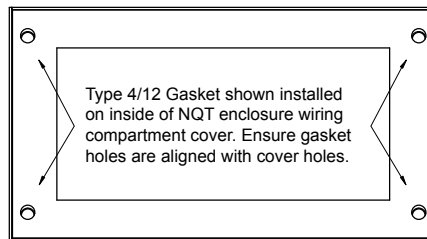
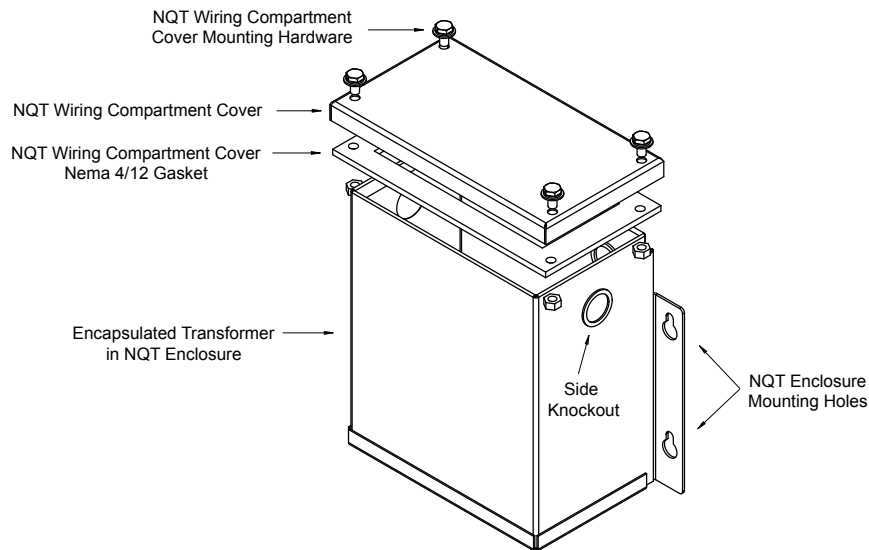
NQT ENCLOSURE SERIES TYPE 4/12 GASKET KITS

The following options and accessories offered are available on all standard and custom three phase HPS Titan® industrial encapsulated distribution transformers for harsh environments and hazardous locations (see section 8), HPS Fortress™ commercial encapsulated distribution transformers (see section 8) and encapsulated autotransformers (see section 10).

Optional Type 4/12 Gasket Kits

Standard type 3R rated NQT enclosures can easily be converted to a type 4 or 12 rating by ordering and installing the appropriate gasket kit as listed in the table below.

Enclosure Style	Gasket Kit P/N	Enclosure Style	Gasket Kit P/N
NQT2	NQT2GK	NQT8	NQT8GK
NQT3	NQT3GK	NQT9	NQT9GK
NQT4	NQT4GK	NQT9A	NQT9AGK
NQT5	NQT5GK	NQT10	NQT10GK
NQT6	NQT6GK	NQT11	NQT11GK
NQT7	NQT7GK		



Optional Stainless Steel Enclosures

Optional type 4 and 12 rated stainless steel enclosures for encapsulated transformers are identical to the standard steel enclosure designs but are designed using either type 304 or 316 stainless steel in accordance with ANSI, NEMA, UL and ABS requirements for indoor, outdoor and marine duty applications.

GENERAL
INFORMATION

Note: For DOE 2016 product information please see the HPS Sentinel® Energy Efficient Distribution Transformer Selection Guide (DOESEL15) or the HPS Millennium™ G Medium Voltage Transformer Selection Guide (MILGMED15)



GENERAL INFORMATION

TERMINATION DETAILS - TYPE 3R

The following termination details are for standard 150°C temperature rise HPS Sentinel (section 7) and general purpose medium voltage transformer (section 11) units only.

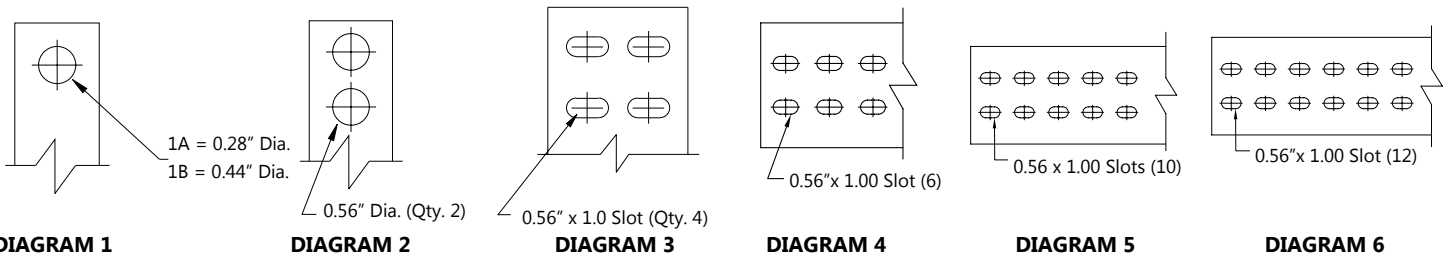
SINGLE PHASE, ALUMINUM AND COPPER TERMINATION - LUGS OR PADS

kVA	VOLTAGE											
	120	120/240	208	240	277	347	380	416	480	600	2400	4160
0.25	Leads	Leads	Leads	Leads	Leads	Leads	Leads	Leads	Leads	Leads	-	-
0.5	Leads	Leads	Leads	Leads	Leads	Leads	Leads	Leads	Leads	Leads	-	-
0.75	Leads	Leads	Leads	Leads	Leads	Leads	Leads	Leads	Leads	Leads	-	-
1	Leads	Leads	Leads	Leads	Leads	Leads	Leads	Leads	Leads	Leads	-	-
1.5	Leads	Leads	Leads	Leads	Leads	Leads	Leads	Leads	Leads	Leads	-	-
2	Leads	Leads	Leads	Leads	Leads	Leads	Leads	Leads	Leads	Leads	-	-
3	Leads	Leads	Leads	Leads	Leads	Leads	Leads	Leads	Leads	Leads	-	-
5	Leads	Leads	Leads	Leads	Leads	Leads	Leads	Leads	Leads	Leads	-	-
7.5	Lugs	Lugs	Lugs	Lugs	Lugs	Lugs	Lugs	Lugs	Lugs	Lugs	-	-
10	Lugs	Lugs	Lugs	Lugs	Lugs	Lugs	Lugs	Lugs	Lugs	Lugs	-	-
15	Lugs	Lugs	Lugs	Lugs	Lugs	Lugs	Lugs	Lugs	Lugs	Lugs	Lugs (Dia. 1A)	Lugs (Dia. 1A)
25	Lugs	Lugs	Lugs	Lugs	Lugs	Lugs	Lugs	Lugs	Lugs	Lugs	Lugs (Dia. 1A)	Lugs (Dia. 1A)
37.5	Dia. 2	Lugs	Lugs	Lugs	Lugs	Lugs	Lugs	Lugs	Lugs	Lugs	Lugs (Dia. 1A)	Lugs (Dia. 1A)
50	Dia. 2	Lugs	Lugs	Lugs	Lugs	Lugs	Lugs	Lugs	Lugs	Lugs	Lugs (Dia. 1A)	Lugs (Dia. 1A)
75	Dia. 3	Dia. 2	Dia. 2	Dia. 2	Lugs	Lugs	Lugs	Lugs	Lugs	Lugs	Lugs (Dia. 1A)	Lugs (Dia. 1A)
100	Dia. 3	Dia. 2	Dia. 2	Dia. 2	Dia. 2	Dia. 2	Lugs	Lugs	Lugs	Lugs	Lugs (Dia. 1A)	Lugs (Dia. 1A)
150	Dia. 3	Dia. 3	Dia. 3	Dia. 3	Dia. 2	Dia. 2	Dia. 2	Dia. 2	Dia. 2	Lugs	Lugs (Dia. 1A)	Lugs (Dia. 1A)
167	Dia. 3	Dia. 3	Dia. 3	Dia. 3	Dia. 3	Dia. 2	Dia. 3	Dia. 3	Dia. 3	Dia. 2	Lugs (Dia. 1A)	Lugs (Dia. 1A)
250	Dia 6	Dia. 3	Dia. 3	Dia. 3	Dia. 3	Dia. 3	Dia. 3	Dia. 3	Dia. 3	Dia. 2	Lugs (Dia. 1B)	Lugs (Dia. 1A)
333	Dia 6	Dia.4	Dia.4	Dia.4	Dia.4	Dia.4	Dia.3	Dia.3	Dia.3	Dia.3	Lugs (Dia. 1B)	Lugs (Dia. 1A)

THREE PHASE, ALUMINUM AND COPPER TERMINATION - LUGS OR PADS

kVA	VOLTAGE										
	208	230	240	277	380	416	480	600	2400	4160	
2	Leads	Leads	Leads	Leads	Leads	Leads	Leads	Leads	-	-	
3	Leads	Leads	Leads	Leads	Leads	Leads	Leads	Leads	-	-	
6	Leads	Leads	Leads	Leads	Leads	Leads	Leads	Leads	-	-	
9	Lugs	Lugs	Lugs	Lugs	Lugs	Lugs	Lugs	Lugs	-	-	
15	Lugs	Lugs	Lugs	Lugs	Lugs	Lugs	Lugs	Lugs	Lugs (Dia. 1A)	Lugs (Dia. 1A)	
30	Lugs	Lugs	Lugs	Lugs	Lugs	Lugs	Lugs	Lugs	Lugs (Dia. 1A)	Lugs (Dia. 1A)	
45	Lugs	Lugs	Lugs	Lugs	Lugs	Lugs	Lugs	Lugs	Lugs (Dia. 1A)	Lugs (Dia. 1A)	
75	Lugs	Lugs	Lugs	Lugs	Lugs	Lugs	Lugs	Lugs	Lugs (Dia. 1A)	Lugs (Dia. 1A)	
112.5	Lugs**	Dia. 1B	Lugs	Lugs	Lugs	Lugs	Lugs	Lugs	Lugs (Dia. 1A)	Lugs (Dia. 1A)	
150	Dia. 1B	Dia. 1B	Dia. 1B	Dia. 1B	Lugs	Lugs	Lugs	Lugs	Lugs (Dia. 1A)	Lugs (Dia. 1A)	
225	Dia. 2	Dia. 1B	Dia. 1B	Dia. 1B	Dia. 1B	Dia. 1B	Lugs	Lugs	Lugs (Dia. 1A)	Lugs (Dia. 1A)	
300	Dia. 2	Dia. 2	Dia. 2	Dia. 2	Dia. 1B	Dia. 1B	Dia. 1B	Dia. 1B	Lugs (Dia. 1A)	Lugs (Dia. 1A)	
500	Dia. 3	Dia. 3	Dia. 3	Dia. 3	Dia. 3	Dia. 2	Dia. 2	Dia. 1B	Lugs (Dia. 1A)	Lugs (Dia. 1A)	
600	Dia. 3	Dia. 3	Dia. 3	Dia. 3	Dia. 3	Dia. 2	Dia. 2	Dia. 1B	Lugs (Dia. 1A)	Lugs (Dia. 1A)	
750	Dia. 3	Dia. 3	Dia. 3	Dia. 3	Dia. 3	Dia. 3	Dia. 3	Dia. 2	Lugs (Dia. 1B)	Lugs (Dia. 1A)	
1000	Dia.4	Dia.4	Dia.4	Dia.4	Dia.3	Dia.3	Dia.3	Dia.3	Lugs (Dia. 1B)	Lugs (Dia. 1B)	
1250	Dia 5	Dia 5	Dia 5	Dia 5	Dia.4	Dia.4	Dia.4	Dia.4	Dia. 1B	Lugs (Dia. 1B)	
1500	Dia 6	Dia 6	Dia 6	Dia 6	Dia.4	Dia.4	Dia.4	Dia.4	Dia. 2	Lugs (Dia. 2)	

** Lugs only supplied standard on 600V primary to 208Y/120V secondary units.(excluding K-Factor transformers)
All other voltages supplied standard with Diagram 1B pads.



GENERAL INFORMATION

Note: For DOE 2016 product information please see the HPS Sentinel® Energy Efficient Distribution Transformer Selection Guide (DOESEL15) or the HPS Millennium™ G Medium Voltage Transformer Selection Guide (MILGMED15)



GENERAL INFORMATION

ELECTRICAL SCHEMATICS AND CONNECTION DIAGRAMS

SCD 1

SCHEMATIC	CONNECTIONS				
	Primary Volts		Connect lines to		
	240	480	416	H1, H4	
	120	240	208	H1, H4	
Secondary Volts		Connect lines to	Inter-connect		
24	32	48	240	X1, X4	X2-X3
12/24	16/32	24/48	120/240	X1, X2, X4	X2-X3
12	16	24	120	X1, X2	X2-X4, X1-X3

SCD 2

SCHEMATIC	CONNECTIONS			
	Primary Volts		Connect lines to	
	504	440	437 218 291 277 440	H1, H2
	492		426 213 284	H1, H2
	480	416	416 208 277 240 416	H1, H2
	468		406 203 270	H1, H2
	456	400	395 198 263 208 400	H1, H2
	444		385 192 256	H1, H2
	432	380	374 187 249 120 380	H1, H2
		220		H1, H2
	240	208	208	H1, H2
228	200	198	H1, H2	
216	190	187	H1, H2	
Secondary Volts		Connect lines to	Inter-connect	
	240	X1, X4	X2-X3	
	120	X1, X2	X2-X4, X1-X3	
	120/240	X1, X2, X4	X2-X3	

SCD 3

SCHEMATIC	CONNECTIONS		
	Primary Volts		Connect lines to
	630		H1, H2, H3
	615		H1, H2, H3
	600		H1, H2, H3
	585		H1, H2, H3
	570		H1, H2, H3
	480		H1, H2, H3
	456		H1, H2, H3
	432		H1, H2, H3
	Secondary Volts		Connect lines to
208	480	X1, X2, X3	-
120	120	X1, X0	-
		X2, X0	-
		X3, X0	-

GENERAL INFORMATION

Note: For DOE 2016 product information please see the HPS Sentinel® Energy Efficient Distribution Transformer Selection Guide (DOESEL15) or the HPS Millennium™ G Medium Voltage Transformer Selection Guide (MILGMED15)



GENERAL INFORMATION

ELECTRICAL SCHEMATICS AND CONNECTION DIAGRAMS

SCD 4

SCHEMATIC	CONNECTIONS		
	Primary Volts	Connect lines to	Inter-connect
	208 277 347 380 416 600 2400 3300 4160 4800 6600 7200	H1, H2	---
	Secondary Volts	Connect lines to	Inter-connect
	240 120/240 120	24 12/24 12	X1, X4 X1, X2, X4 X1, X2

SCD 5

SCHEMATIC	CONNECTIONS		
	Primary Volts	Connect lines to	Inter-connect
	120 208 240 277 380 416 480 600	H1, H2	1-2
	114 198 228 263 361 395 156 570	H1, H2	2-3
	108 188 216 249 347 374 432 540	H1, H2	3-4
	Secondary Volts	Connect lines to	Inter-connect
	240 120/240 120	X1, X4 X1, X2, X4 X1, X2	X2-X3 X2-X3 X2-X4, X1-X3

SCD 6

SCHEMATIC	CONNECTIONS		
	Primary Volts	Connect lines to	Inter-connect
	218 277 291 437 504 630 2520 4368	H1, H2	1-2
	213 - 284 426 492 615 2460 4264	H1, H2	2-3
	208 240 277 416 480 600 2400 4160	H1, H2	3-4
	203 - 270 406 468 585 2340 4056	H1, H2	4-5
	198 208 263 395 456 570 2280 3952	H1, H2	5-6
	Secondary Volts	Connect lines to	Inter-connect
	240 120/240 120	X1, X4 X1, X2, X4 X1, X2	X2-X3 X2-X3 X2-X4, X1-X3

SCD 7

SCHEMATIC	CONNECTIONS		
	Primary Volts	Connect lines to	Inter-connect
	208 218 242 252 437 480 483 504 604 630	H1, H2, H3	1
	198 208 230 240 416 456 460 480 575 600	H1, H2, H3	2
	187 198 219 228 395 432 437 456 546 570	H1, H2, H3	3
	Secondary Volts	Connect lines to	Inter-connect
	208 230 240 380 416 460 480 600	X1, X2, X3	
	120 133 139 220 240 265 277 347	X1, X0 X2, X0 X3, X0	

Note: For DOE 2016 product information please see the HPS Sentinel® Energy Efficient Distribution Transformer Selection Guide (DOESEL15) or the HPS Millennium™ G Medium Voltage Transformer Selection Guide (MILGMED15)



GENERAL INFORMATION

ELECTRICAL SCHEMATICS AND CONNECTION DIAGRAMS

SCD 8

SCHEMATIC	CONNECTIONS												
	Primary Volts		Connect lines to	Inter-connect									
	218	242	252	437	483	504	604	630	2520	4368	H1, H2, H3	1-2	
	208	230	240	416	460	480	575	600	2400	4160	H1, H2, H3	2-3	
	198	219	228	395	437	456	546	570	2280	3952	H1, H2, H3	3-4	
	Secondary Volts		Connect lines to		Inter-connect								
	208	230	240	380	416	460	480	600				X1, X2, X3	
	120	133	139	220	240	265	277	347	X1, X0	X2, X0	X3, X0		

SCD 9

SCHEMATIC	CONNECTIONS											
	Primary Volts		Connect lines to	Inter-connect								
	218	242	252	437	483	504	604	630	H1, H2, H3	1		
	213	236	246	426	472	492	589	615	H1, H2, H3	2		
	208	230	240	416	460	480	575	600	H1, H2, H3	3		
	203	224	234	406	449	468	561	585	H1, H2, H3	4		
	198	219	228	395	437	456	546	570	H1, H2, H3	5		
	Secondary Volts		Connect lines to		Inter-connect							
	208	380	416	480	600				X1, X2, X3	-		
	120	220	240	277	347				X1, X0	-		
										X2, X0	-	
										X3, X0	-	

SCD 10

SCHEMATIC	CONNECTIONS											
	Primary Volts		Connect lines to	Inter-connect								
	218	242	252	437	483	504	604	630	2520	4368	H1, H2, H3	1-2
	213	236	246	426	472	492	589	615	2460	4264	H1, H2, H3	2-3
	208	230	240	416	460	480	575	600	2400	4160	H1, H2, H3	3-4
	203	224	234	406	449	468	561	585	2340	4056	H1, H2, H3	4-5
	198	219	228	395	437	456	546	570	2280	3952	H1, H2, H3	5-6
		Secondary Volts		Connect lines to		Inter-connect						
	208	380	416	480	600				X1, X2, X3	-		
	120	220	240	277	347				X1, X0	-		
										X2, X0	-	
										X3, X0	-	

GENERAL INFORMATION

Note: For DOE 2016 product information please see the HPS Sentinel® Energy Efficient Distribution Transformer Selection Guide (DOESEL15) or the HPS Millennium™ G Medium Voltage Transformer Selection Guide (MILGMED15)



GENERAL INFORMATION

ELECTRICAL SCHEMATICS AND CONNECTION DIAGRAMS

SCD 11

SCHEMATIC	CONNECTIONS		
	Primary Volts	Connect lines to	Inter-connect
	630	H1, H2, H3	1-H1, 1-H2, 1-H3
	615	H1, H2, H3	2-H1, 2-H2, 2-H3
	600	H1, H2, H3	3-H1, 3-H2, 3-H3
	585	H1, H2, H3	4-H1, 4-H2, 4-H3
	570	H1, H2, H3	5-H1, 5-H2, 5-H3
	504	H1, H2, H3	6-H1, 6-H2, 6-H3
	492	H1, H2, H3	7-H1, 7-H2, 7-H3
	480	H1, H2, H3	8-H1, 8-H2, 8-H3
	468	H1, H2, H3	9-H1, 9-H2, 9-H3
	456	H1, H2, H3	10-H1, 10-H2, 10-H3
	Secondary Volts	Connect lines to	Inter-connect
	208 480	X1, X2, X3	-
	120 277	X1, X0	-
		X2, X0	-
	X3, X0	-	

SCD 12

SCHEMATIC	CONNECTIONS		
	Primary Volts	Connect lines to	Inter-connect
	480 600	H1, H2, H3	1-2
	456 570	H1, H2, H3	2-3
	432 540	H1, H2, H3	3-4
Secondary Volts	Connect lines to	Inter-connect	
240	X1, X2, X3	-	

SCD 13

SCHEMATIC	CONNECTIONS		
	Primary Volts	Connect lines to	Inter-connect
	480 600	H1, H2, H3	1-2
	456 570	H1, H2, H3	2-3
	432 540	H1, H2, H3	3-4
Secondary Volts	Connect lines to	Inter-connect	
240	X1, X2, X3	-	
120	X1, X6	-	
	X3, X6	-	

SCD 14

SCHEMATIC	CONNECTIONS		
	Connect to	Step Down	Step Up
	Lines from Supply	H1, H2, H3	X1, X2, X3
	Lines to Load	X1, X2, X3	H1, H2, H3

Note: For DOE 2016 product information please see the HPS Sentinel® Energy Efficient Distribution Transformer Selection Guide (DOESEL15) or the HPS Millennium™ G Medium Voltage Transformer Selection Guide (MILGMED15)



GENERAL INFORMATION

GENERAL INFORMATION

ELECTRICAL SCHEMATICS AND CONNECTION DIAGRAMS

SCD 15

SCHEMATIC	CONNECTIONS		
	Connect to	Step Down	Step Up
	Lines from Supply	H1, H2, H3	X1, X2, X3
	Lines to Load	X1, X2, X3	H1, H2, H3

SCD 16

SCHEMATIC	CONNECTIONS		
	Primary Volts	Connect lines to	Inter-connect
	504 630	H1, H2, H3	1
	492 615	H1, H2, H3	2
	480 600	H1, H2, H3	3
	468 585	H1, H2, H3	4
	456 570	H1, H2, H3	5
Secondary Volts	Connect lines to	Inter-connect	
240	X1, X2, X3	-	

SCD 17

SCHEMATIC	CONNECTIONS		
	Primary Volts	Connect lines to	Inter-connect
	504	H1, H4	1-H2, 2-H3, H2-H3
	492	H1, H4	3-H2, 2-H3, H2-H3
	480	H1, H4	3-H2, 4-H3, H2-H3
	468	H1, H4	5-H2, 4-H3, H2-H3
	456	H1, H4	5-H2, 6-H3, H2-H3
	444	H1, H4	7-H2, 6-H3, H2-H3
	432	H1, H4	7-H2, 8-H3, H2-H3
	252	H1, H4	1-H2, 2-H3, H1-H3, H2-H4
	240	H1, H4	3-H2, 4-H3, H1-H3, H2-H4
	228	H1, H4	5-H2, 6-H3, H1-H3, H2-H4
	216	H1, H4	7-H2, 8-H3, H1-H3, H2-H4
	Secondary Volts	Connect lines to	Inter-connect
	240	X1, X4	X2-X3
120	X1, X2	X2-X4, X1-X3	
120/240	X1, X2, X4	X2-X3	

SCD 18

SCHEMATIC	CONNECTIONS		
	Primary Volts	Connect lines to	Inter-connect
	218 252 277 291 437 504 630	H1, H4	-
	208 240 240 277 416 480 600	H1, H3	-
	198 228 208 263 395 456 570	H1, H2	-
Secondary Volts	Connect lines to	Inter-connect	
240	X1, X4	X2-X3	
120	X1, X2	X2-X4, X1-X3	
120/240	X1, X2, X4	X2-X3	

GENERAL INFORMATION

Note: For DOE 2016 product information please see the HPS Sentinel® Energy Efficient Distribution Transformer Selection Guide (DOESEL15) or the HPS Millennium™ G Medium Voltage Transformer Selection Guide (MILGMED15)



GENERAL INFORMATION

ELECTRICAL SCHEMATICS AND CONNECTION DIAGRAMS

SCD 19

SCHEMATIC			CONNECTIONS				
			Primary Volts		Inter-connect		
			218	504	630	H1, H2, H3	1-H1, 1-H2, 1-H3
			213	492	615	H1, H2, H3	2-H1, 2-H2, 2-H3
208	480	600	H1, H2, H3	3-H1, 3-H2, 3-H3			
203	468	585	H1, H2, H3	4-H1, 4-H2, 4-H3			
198	456	570	H1, H2, H3	5-H1, 5-H2, 5-H3			
193	444	556	H1, H2, H3	6-H1, 6-H2, 6-H3			
188	432	542	H1, H2, H3	7-H1, 7-H2, 7-H3			
Secondary Volts		Connect lines to		Inter-connect			
208	480	X1, X2, X3		-			
120	277	X1, X0 X2, X0 X3, X0		-			

SCD 20

SCHEMATIC			CONNECTIONS				
			Primary Volts		Inter-connect		
			218	504	630	H1, H2, H3	1-2
			213	492	600	H1, H2, H3	2-3
208	480	570	H1, H2, H3	3-4			
203	468	570	H1, H2, H3	4-5			
198	456	504	H1, H2, H3	5-6			
193	444	480	H1, H2, H3	6-7			
188	432	456	H1, H2, H3	7-8			
Secondary Volts		Connect lines to		Inter-connect			
208	480	X1, X2, X3		-			
120	277	X1, X0 X2, X0 X3, X0		-			

SCD 21

SCHEMATIC			CONNECTIONS			
			Primary Volts		Inter-connect	
			504	H1, H2, H3		1-H1, 1-H2, 1-H3
			492	H1, H2, H3		2-H1, 2-H2, 2-H3
480	H1, H2, H3		3-H1, 3-H2, 3-H3			
468	H1, H2, H3		4-H1, 4-H2, 4-H3			
456	H1, H2, H3		5-H1, 5-H2, 5-H3			
444	H1, H2, H3		6-H1, 6-H2, 6-H3			
432	H1, H2, H3		7-H1, 7-H2, 7-H3			
Secondary Volts		Connect lines to		Inter-connect		
240	X1, X2, X3		-			
120	X1, X6		-			
	X3, X6		-			

SCD 22

SCHEMATIC			CONNECTIONS			
			Primary Volts		Inter-connect	
			504	H1, H2, H3		1-2
			492	H1, H2, H3		2-3
480	H1, H2, H3		3-4			
468	H1, H2, H3		4-5			
456	H1, H2, H3		5-6			
444	H1, H2, H3		6-7			
432	H1, H2, H3		7-8			
Secondary Volts		Connect lines to		Inter-connect		
240	X1, X2, X3		-			
120	X1, X6		-			
	X3, X6		-			

Note: For DOE 2016 product information please see the HPS Sentinel® Energy Efficient Distribution Transformer Selection Guide (DOESEL15) or the HPS Millennium™ G Medium Voltage Transformer Selection Guide (MILGMED15)

GENERAL INFORMATION

ELECTRICAL SCHEMATICS AND CONNECTION DIAGRAMS

SCD 23

SCHEMATIC		CONNECTIONS					
		Primary Volts		Connect lines to	Inter-connect		
		208	240	252	X1, X2, X3	1-2	
		198	228	240	X1, X2, X3	2-3	
		Secondary Volts		Inter-connect			
		230	260	460	480	H1, H2, H3	
		133	139	265	277	H1, H0 H2, H0 H3, H0	

SCD 24

SCHEMATIC		CONNECTIONS		
		Connect to	Step Down	Step Up
		Lines from Supply	H1, H2, H3	X1, X2, X3
		Lines to Load	X1, X2, X3	H1, H2, H3

SCD 25

SCHEMATIC		CONNECTIONS						
		Primary Volts			Connect lines to	Inter-connect		
		208	240	416	480	600	H1, H2, H3	1-2
		198	228	395	456	570	H1, H2, H3	2-3
		Secondary Volts			Connect lines to	Inter-connect		
		208	380	416	480	600	X1, X2, X3	-
		120	220	240	277	347	X1, X0 X2, X0 X3, X0	-

SCD 26

SCHEMATIC		CONNECTIONS					
		Primary Volts		Connect lines to	Inter-connect		
		218	252	X1, X2, X3	1		
		213	246	X1, X2, X3	2		
		208	240	X1, X2, X3	3		
		203	234	X1, X2, X3	4		
		198	228	X1, X2, X3	5		
		Secondary Volts		Connect lines to	Inter-connect		
		460	480	600	H1, H2, H3	-	
		265		277	347	H1, H0 H2, H0 H3, H0	-

SCD 27

SCHEMATIC		CONNECTIONS			
		Primary Volts		Connect lines to	Inter-connect
		630		H1, H2, H3	1-2
		600		H1, H2, H3	2-3
		Secondary Volts		Connect lines to	Inter-connect
		570		H1, H2, H3	3-4
		240		X1, X2, X3	-

GENERAL INFORMATION

Note: For DOE 2016 product information please see the HPS Sentinel® Energy Efficient Distribution Transformer Selection Guide (DOESEL15) or the HPS Millennium™ G Medium Voltage Transformer Selection Guide (MILGMED15)



GENERAL INFORMATION

ELECTRICAL SCHEMATICS AND CONNECTION DIAGRAMS

SCD 28

SCHEMATIC	CONNECTIONS		
	Primary Volts	Connect lines to	Inter-connect
	480 (60Hz)	H1, H10	H5-H6
	440	H1, H10	H5-H6
	416	H1, H9	H4-H6
	400	H1, H8	H3-H6
	380	H1, H7	H2-H6
	240 (60Hz)	H1, H10	H1-H6, H5-H10
	220	H1, H10	H1-H6, H5-H10
	208	H1, H9	H1-H6, H5-H10
	200	H1, H8	H1-H6, H3-H8
	190	H1, H7	H1-H6, H2-H7
	Secondary Volts	Connect lines to	Inter-connect
	240	X1, X4	X2-X3
	120/240	X1, X2, X4	X2-X3
	120	X1, X4	X2-X4, X1-X3

SCD 29

SCHEMATIC	CONNECTIONS			
	Primary Volts	Connect lines to	Inter-connect	
	630	504	H1, H2, H3	1-2
	615	492	H1, H2, H3	2-3
	600	480	H1, H2, H3	3-4
	585	468	H1, H2, H3	4-5
	570	456	H1, H2, H3	5-6
	Secondary Volts	Connect lines to	Inter-connect	
240	X1, X2, X3			

SCD 30

SCHEMATIC	CONNECTIONS		
	Primary Volts	Connect lines to	Inter-connect
	440	H1, H4	1-H2, 2-H3, H2-H3
	416	H1, H4	3-H2, 4-H3, H2-H3
	400	H1, H4	5-H2, 6-H3, H2-H3
	380	H1, H4	7-H2, 8-H3, H2-H3
	220	H1, H4	1-H2, 2-H3, H1-H3, H2-H4
	208	H1, H4	3-H2, 4-H3, H1-H3, H2-H4
	200	H1, H4	5-H2, 6-H3, H1-H3, H2-H4
	190	H1, H4	7-H2, 8-H3, H1-H3, H2-H4
	Secondary Volts	Connect lines to	Inter-connect
	240	X1, X4	X2-X3
	120	X1, X2	X2-X4, X1-X3
120/240	X1, X2, X4	X2-X3	

GENERAL INFORMATION

Note: For DOE 2016 product information please see the HPS Sentinel® Energy Efficient Distribution Transformer Selection Guide (DOESEL15) or the HPS Millennium™ G Medium Voltage Transformer Selection Guide (MILGMED15)



GENERAL INFORMATION

ELECTRICAL SCHEMATICS AND CONNECTION DIAGRAMS

SCD 31

SCHEMATIC		CONNECTIONS		
		Primary Volts	Connect lines to	Inter-connect
		218 291 437 504 630	H1, H6	-
		213 284 423 492 615	H1, H5	-
		208 277 416 480 600	H2, H5	-
		203 270 406 468 585	H2, H4	-
		198 263 395 456 570	H3, H4	-
		Secondary Volts	Connect lines to	Inter-connect
		240	X1, X4	X2-X3
		120/240	X1, X2, X4	X2-X3
		120	X1, X2	X2-X4, X1-X3

SCD 32

SCHEMATIC		CONNECTIONS		
		Primary Volts	Connect lines to	Inter-connect
		208 277 416 480 600	H1, H4	-
		198 263 395 456 570	H1, H3	-
		188 249 374 432 540	H2, H3	-
		Secondary Volts	Connect lines to	Inter-connect
		240	X1, X4	X2-X3
		120/240	X1, X2, X4	X2-X3
		120	X1, X2	X2-X4, X1-X3

SCD 33

SCHEMATIC		CONNECTIONS		
		Primary Volts	Connect lines to	Inter-connect
		380	H1, H3	-
		347	H1, H2	-
		Secondary Volts	Connect lines to	Inter-connect
		240	X1, X4	X2-X3
		120/240	X1, X2, X4	X2-X3
		120	X1, X2	X2-X4, X1-X3

SCD 34

SCHEMATIC		CONNECTIONS		
		Primary Volts	Connect lines to	Inter-connect
		480	H1, H4	1-H2, 2-H3, H2-H3
		456	H1, H4	2-H3, 3-H2, H2-H3
		432	H1, H4	3-H2, 4-H3, H2-H3
		240	H1, H4	1-H2, 2-H3, H1-H3, H2-H4
		216	H1, H4	3-H2, 4-H3, H1-H3, H2-H4
		Secondary Volts	Connect lines to	Inter-connect
		240	X1, X4	X2-X3
		120/240	X1, X2, X4	X2-X3
		120	X1, X2	X2-X4, X1-X3

GENERAL INFORMATION

Note: For DOE 2016 product information please see the HPS Sentinel® Energy Efficient Distribution Transformer Selection Guide (DOESEL15) or the HPS Millennium™ G Medium Voltage Transformer Selection Guide (MILGMED15)



GENERAL INFORMATION

ELECTRICAL SCHEMATICS AND CONNECTION DIAGRAMS

SCD 35

SCHEMATIC		CONNECTIONS			
	Primary Volts			Connect lines to	Inter-connect
	218*	504	630	H1, H2, H3	1-H1, 1-H2, 1-H3
	213*	492	615	H1, H2, H3	2-H1, 2-H2, 2-H3
	208*	480	600	H1, H2, H3	3-H1, 3-H2, 3-H3
203*	468	585	H1, H2, H3	4-H1, 4-H2, 4-H3	
198*	456	570	H1, H2, H3	5-H1, 5-H2, 5-H3	
Secondary Volts			Connect lines to	Inter-connect	
208	480	600	X1, X2, X3	-	
120	277	347	X1, X0 X2, X0 X3, X0	-	

* Standard 2-2.5% FCAN and 2-2.5% FCBN primary taps for 208V H2EM units only available up to 75 kVA. Please consult factory for standard taps on 208V primary units over 75 kVA.

SCD 36

SCHEMATIC		CONNECTIONS			
	Primary Volts			Connect lines to	Inter-connect
	218*	504	630	H1, H2, H3	1-2
	213*	492	615	H1, H2, H3	2-3
	208*	480	600	H1, H2, H3	3-4
203*	468	585	H1, H2, H3	4-5	
198*	456	570	H1, H2, H3	5-6	
Secondary Volts			Connect lines to	Inter-connect	
208	480	600	X1, X2, X3	-	
120	277	347	Y1, Y2, Y3	-	
			X1, X0/Y0	-	
			X2, X0/Y0	-	
			X3, X0/Y0	-	
			Y1, X0/Y0	-	
			Y2, X0/Y0	-	
			Y3, X0/Y0	-	

* Standard 2-2.5% FCAN and 2-2.5% FCBN primary taps for 208V H2EM units only available up to 75 kVA. Please consult factory for standard taps on 208V primary units over 75 kVA.

SCD 37

SCHEMATIC		CONNECTIONS			
	Primary Volts			Connect lines to	Inter-connect
	480			H1, H2, H3	1
	456			H1, H2, H3	2
	432			H1, H2, H3	3
Secondary Volts			Connect lines to	Inter-connect	
240			X1, X2, X3	-	

Note: For DOE 2016 product information please see the HPS Sentinel® Energy Efficient Distribution Transformer Selection Guide (DOESEL15) or the HPS Millennium™ G Medium Voltage Transformer Selection Guide (MILGMED15)



GENERAL INFORMATION

ELECTRICAL SCHEMATICS AND CONNECTION DIAGRAMS

SCD 38

SCHEMATIC		CONNECTIONS		
		Primary Volts	Connect lines to	Inter-connect
		504	H1, H2, H3	1
		492	H1, H2, H3	2
		480	H1, H2, H3	3
		468	H1, H2, H3	4
		456	H1, H2, H3	5
		444	H1, H2, H3	6
		432	H1, H2, H3	7
Secondary Volts	Connect lines to	Inter-connect		
240	X1, X2, X3	-		

SCD 39

SCHEMATIC		CONNECTIONS			
		Primary Volts	Connect lines to	Inter-connect	
		218 291 437 504 630	H1, H2	1	
		213 284 426 492 615	H1, H2	2	
		208 277 416 480 600	H1, H2	3	
		203 270 406 468 585	H1, H2	4	
		198 263 395 456 570	H1, H2	5	
		Secondary Volts	Connect lines to	Inter-connect	
		240	X1, X4	X2-X3	
120/240	X1, X2, X4	X2-X3			
120	X1, X2	X2-X4, X1-X3			

SCD 40

SCHEMATIC		CONNECTIONS		
		Primary Volts	Connect lines to	Inter-connect
		208 240	X1, X2, X3	1
		198 228	X1, X2, X3	2
		188 216	X1, X2, X3	3
		Secondary Volts	Inter-connect	
		230 260 460 480	H1, H2, H3	
133 139 265 277	H1, H0 H2, H0 H3, H0			

SCD 41

SCHEMATIC		CONNECTIONS			
		Primary Volts	Connect lines to	Inter-connect	
		277	H1, H5	-	
		240	H1, H4	-	
		208	H1, H3	-	
		120	H1, H2	-	
		Secondary Volts	Connect lines to	Inter-connect	
		240	X1, X4	X2-X3	
		120/240	X1, X2, X4	X2-X3	
120	X1, X2	X2-X4, X1-X3			

GENERAL INFORMATION

Note: For DOE 2016 product information please see the HPS Sentinel® Energy Efficient Distribution Transformer Selection Guide (DOESEL15) or the HPS Millennium™ G Medium Voltage Transformer Selection Guide (MILGMED15)



GENERAL INFORMATION

ELECTRICAL SCHEMATICS AND CONNECTION DIAGRAMS

SCD 42

SCHEMATIC		CONNECTIONS		
	Primary Volts	Connect lines to	Inter-connect	
	480	H1, H3	-	
	277	H1, H2	-	
	Secondary Volts	Connect lines to	Inter-connect	
277	X1, X3	-		
208	X1, X2	-		

SCD 43

SCHEMATIC		CONNECTIONS		
	Primary Volts	Connect lines to	Inter-connect	
	480	H1, H2	1-2	
	277	H1, H2	3-4	
	Secondary Volts	Connect lines to	Inter-connect	
277	X1, X2	X5-X6		
208	X1, X2	X3-X4		

SCD 44

SCHEMATIC		CONNECTIONS		
	Primary Volts	Connect lines to	Inter-connect	
	380	H1, H2	1-2	
	347	H1, H2	3-4	
	Secondary Volts	Connect lines to	Inter-connect	
	240	X1, X4	X2-X3	
	120/240	X1, X2, X4	X2-X3	
120	X1, X2	X2-X4, X1-X3		

SCD 45

SCHEMATIC		CONNECTIONS		
	Primary Volts	Connect lines to	Inter-connect	
	630	H1, H2, H3	1	
	615	H1, H2, H3	2	
	600	H1, H2, H3	3	
	585	H1, H2, H3	4	
	570	H1, H2, H3	5	
Secondary Volts	Connect lines to	Inter-connect		
240	X1, X2, X3	-		

GENERAL INFORMATION

Note: For DOE 2016 product information please see the HPS Sentinel® Energy Efficient Distribution Transformer Selection Guide (DOESEL15) or the HPS Millennium™ G Medium Voltage Transformer Selection Guide (MILGMED15)



GENERAL INFORMATION

ELECTRICAL SCHEMATICS AND CONNECTION DIAGRAMS

SCD 46

SCHEMATIC	CONNECTIONS		
	Primary Volts	Connect lines to	Inter-connect
	480 (60Hz)	H1, H2	1-2
	440	H1, H2	1-2
	416	H1, H2	3-4
	400	H1, H2	5-6
	380	H1, H2	7-8
	240 (60Hz)	H1, H2	H1-2, H2-1
	220	H1, H2	H1-2, H2-1
	208	H1, H2	H1-4, H2-3
	200	H1, H2	H1-6, H2-5
	190	H1, H2	H1-8, H2-7
	Secondary Volts	Connect lines to	Inter-connect
	240	X1, X4	X2-X3
	120	X1, X2	X2-X4, X1-X3
	120/240	X1, X2, X4	X2-X3

SCD 47

SCHEMATIC	CONNECTIONS		
	Primary Volts	Connect lines to	Inter-connect
	630	H1, H2, H3	1-H1, 1-H2, 1-H3
	615	H1, H2, H3	2-H1, 2-H2, 2-H3
	600	H1, H2, H3	3-H1, 3-H2, 3-H3
	585	H1, H2, H3	4-H1, 4-H2, 4-H3
	570	H1, H2, H3	5-H1, 5-H2, 5-H3
	480	H1, H2, H3	6-H1, 6-H2, 6-H3
	456	H1, H2, H3	7-H1, 7-H2, 7-H3
	432	H1, H2, H3	8-H1, 8-H2, 8-H3
	Secondary Volts	Connect lines to	Inter-connect
	480	X1, X2, X3	-
	277	X1, X0 X2, X0 X3, X0	-

SCD 48

SCHEMATIC	CONNECTIONS		
	Primary Volts	Connect lines to	Inter-connect
	347	H1, H2	H2-3 & 4
	380	H1, H2	H2-1 & 2
	Secondary Volts	Connect lines to	Inter-connect
	240	X1, X4	X2-X3
	120	X1, X2	X1-X3, X2-X3
120/240	X1, X2, X4	X2-X3	

GENERAL INFORMATION

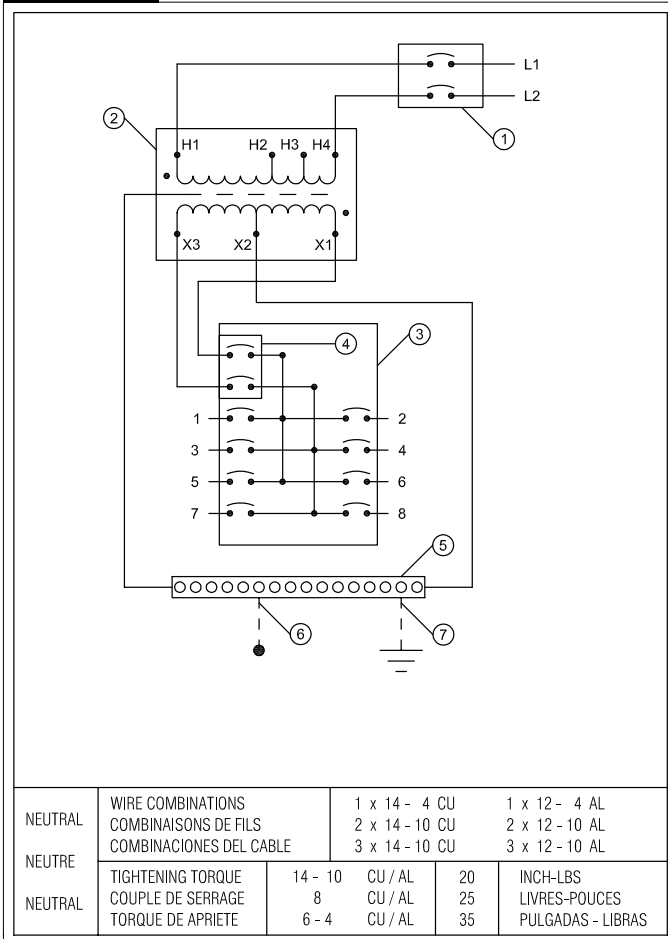
Note: For DOE 2016 product information please see the HPS Sentinel® Energy Efficient Distribution Transformer Selection Guide (DOESEL15) or the HPS Millennium™ G Medium Voltage Transformer Selection Guide (MILGMED15)



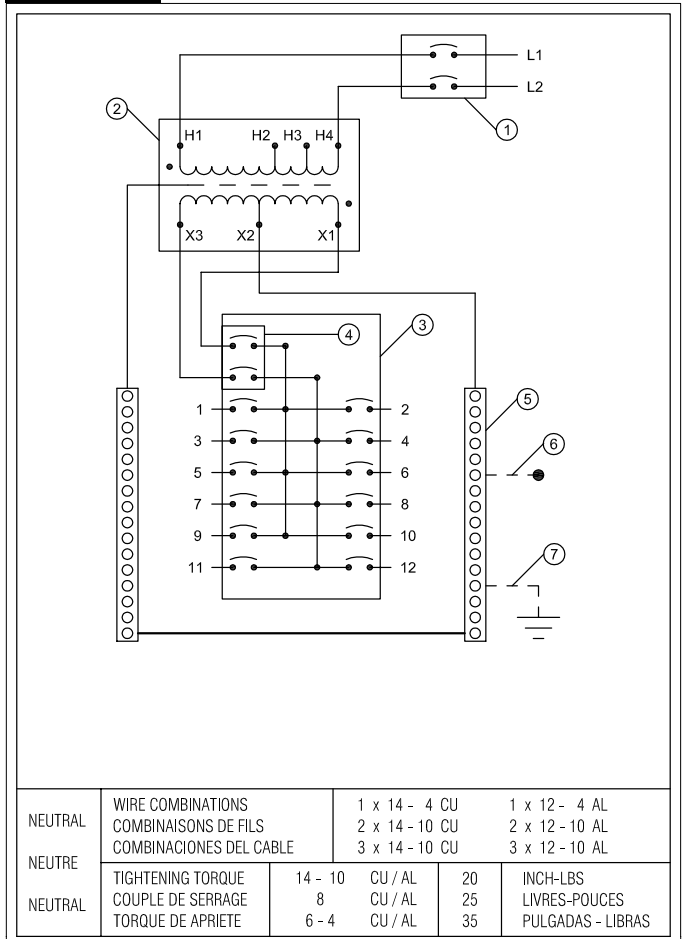
GENERAL INFORMATION

ELECTRICAL SCHEMATICS AND CONNECTION DIAGRAMS

SCD 49



SCD 50



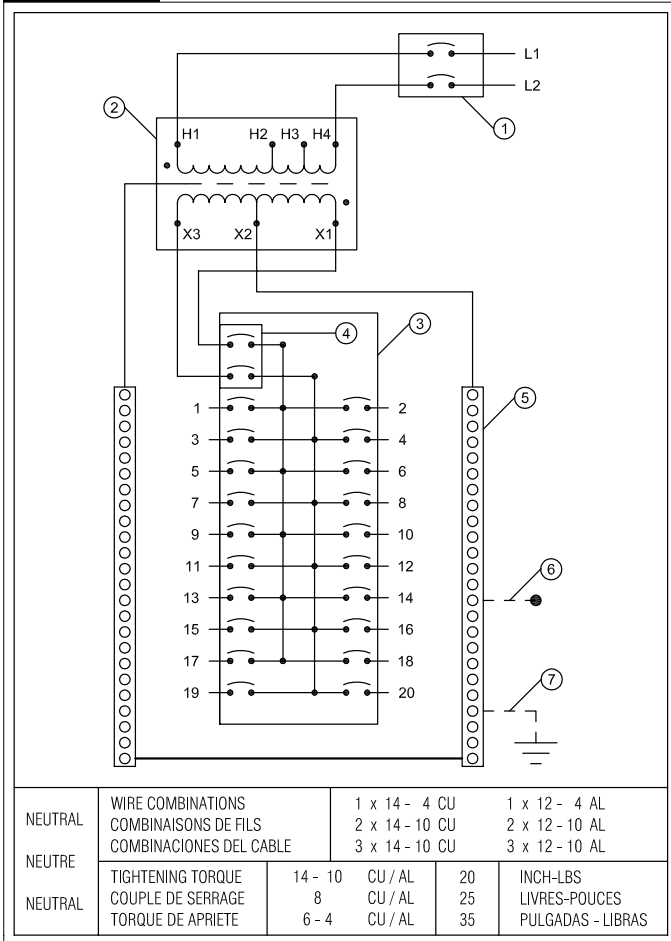
- 1 - Main Breaker
- 2 - Transformer
- 3 - Panel Board
- 4 - Panel Board Feed Breaker
- 5 - Neutral
- 6 - Bond When Required
- 7 - Ground When Required

- The maximum continuous load current not to exceed 100% of the transformer nominal current.
- The maximum continuous load current for the branch circuits not to exceed 80% of the ratings of the circuit breakers employed in other than motor circuits.
- Maximum short-circuit capacity 10,000 amps

GENERAL INFORMATION

ELECTRICAL SCHEMATICS AND CONNECTION DIAGRAMS

SCD 51



- 1 - Main Breaker
- 2 - Transformer
- 3 - Panel Board
- 4 - Panel Board Feed Breaker
- 5 - Neutral
- 6 - Bond When Required
- 7 - Ground When Required

- The maximum continuous load current not to exceed 100% of the transformer nominal current.
- The maximum continuous load current for the branch circuits not to exceed 80% of the ratings of the circuit breakers employed in other than motor circuits.
- Maximum short-circuit capacity 10,000 ampls

GENERAL INFORMATION

Note: For DOE 2016 product information please see the HPS Sentinel® Energy Efficient Distribution Transformer Selection Guide (DOESEL15) or the HPS Millennium™ G Medium Voltage Transformer Selection Guide (MILGMED15)



GENERAL INFORMATION

ELECTRICAL SCHEMATICS AND CONNECTION DIAGRAMS

SCD 52

SCHEMATIC	CONNECTIONS		
	Primary Volts	Connect lines to	Inter-connect
	504	H1, H2, H3	1-H1, 1-H2, 1-H3
	492	H1, H2, H3	2-H1, 2-H2, 2-H3
	480	H1, H2, H3	3-H1, 3-H2, 3-H3
	468	H1, H2, H3	4-H1, 4-H2, 4-H3
	456	H1, H2, H3	5-H1, 5-H2, 5-H3
	444	H1, H2, H3	6-H1, 6-H2, 6-H3
	432	H1, H2, H3	7-H1, 7-H2, 7-H3
	Secondary Volts	Connect lines to	Inter-connect
	430	X1, X2, X3	A-X1, A-X2, A-X3
	416	X1, X2, X3	B-X1, B-X2, B-X3
	400	X1, X2, X3	C-X1, C-X2, C-X3
	380	X1, X2, X3	D-X1, D-X2, D-X3
	248	X1-X0/X2-X0/X3-X0	A-X1, A-X2, A-X3
	240	X1-X0/X2-X0/X3-X0	B-X1, B-X2, B-X3
	231	X1-X0/X2-X0/X3-X0	C-X1, C-X2, C-X3
	219	X1-X0/X2-X0/X3-X0	D-X1, D-X2, D-X3

GENERAL INFORMATION

Note: For DOE 2016 product information please see the HPS Sentinel® Energy Efficient Distribution Transformer Selection Guide (DOESEL15) or the HPS Millennium™ G Medium Voltage Transformer Selection Guide (MILGMED15)



GENERAL INFORMATION

ALPHA NUMERIC PART NUMBER INDEX

Catalog Part No.	Catalog Page No.	Catalog Part No.	Catalog Page No.	Catalog Part No.	Catalog Page No.
2909B.2.....	150	3009B2.5.....	151	C1F005HRS.....	194
2909B.4.....	150	3009B3.....	151	C1F005JES.....	195
2909B.5.....	150	3009B4.....	151	C1F005LES.....	194
2909B.75.....	150	3009B5.....	151	C1F005PES.....	195
2909B1.....	150	3009B6.....	151	C1F005WES.....	193
2909B1.5.....	150	3009B8.....	151	C1F005XES.....	195
2909B10.....	150	3009C.3.....	151	C1F007CES.....	194
2909B12.....	150	3009C.5.....	151	C1F007EES.....	193
2909B16.....	150	3009C.75.....	151	C1F007GES.....	193
2909B2.....	150	3009C1.....	151	C1F007HRS.....	194
2909B2.5.....	150	3009C1.5.....	151	C1F007JES.....	195
2909B3.....	150	3009C10.....	151	C1F007LES.....	194
2909B4.....	150	3009C12.....	151	C1F007PES.....	195
2909B5.....	150	3009C16.....	151	C1F007WES.....	193
2909B6.....	150	3009C2.....	151	C1F007XES.....	195
2909B8.....	150	3009C2.5.....	151	C1F010CES.....	194
2909C.2.....	150	3009C3.....	151	C1F010EES.....	193
2909C.4.....	150	3009C4.....	151	C1F010GES.....	193
2909C.5.....	150	3009C5.....	151	C1F010HRS.....	194
2909C.75.....	150	3009C6.....	151	C1F010JES.....	195
2909C1.....	150	3009C8.....	151	C1F010LES.....	194
2909C1.5.....	150	3009D.3.....	151	C1F010PES.....	195
2909C10.....	150	3009D.5.....	151	C1F010WES.....	193
2909C12.....	150	3009D.75.....	151	C1F010XES.....	195
2909C16.....	150	3009D1.....	151	C1F015LES.....	194
2909C2.....	150	3009D1.5.....	151	C1F015PES.....	195
2909C2.5.....	150	3009D10.....	151	C1F025LES.....	194
2909C3.....	150	3009D12.....	151	C1F025PES.....	195
2909C4.....	150	3009D16.....	151	C1F037LES.....	194
2909C5.....	150	3009D2.....	151	C1F037PES.....	195
2909C6.....	150	3009D2.5.....	151	C1F1C0CES.....	194
2909C8.....	150	3009D3.....	151	C1F1C0EES.....	193
2909D.2.....	150	3009D4.....	151	C1F1C0GES.....	193
2909D.4.....	150	3009D5.....	151	C1F1C0HRS.....	194
2909D.5.....	150	3009D6.....	151	C1F1C0JES.....	195
2909D.75.....	150	3009D8.....	151	C1F1C0LES.....	194
2909D1.....	150	C1F002CES.....	194	C1F1C0PES.....	195
2909D1.5.....	150	C1F002EES.....	193	C1F1C0WES.....	193
2909D10.....	150	C1F002GES.....	193	C1F1C0XES.....	195
2909D12.....	150	C1F002HRS.....	194	C1F1C5CES.....	194
2909D16.....	150	C1F002JES.....	195	C1F1C5EES.....	193
2909D2.....	150	C1F002LES.....	194	C1F1C5GES.....	193
2909D2.5.....	150	C1F002PES.....	195	C1F1C5HRS.....	194
2909D3.....	150	C1F002WES.....	193	C1F1C5JES.....	195
2909D4.....	150	C1F002XES.....	195	C1F1C5LES.....	194
2909D5.....	150	C1F003CES.....	194	C1F1C5PES.....	195
2909D6.....	150	C1F003EES.....	193	C1F1C5WES.....	193
2909D8.....	150	C1F003GES.....	193	C1F1C5XES.....	195
3009B.3.....	151	C1F003HRS.....	194	C1FC05CE.....	194
3009B.5.....	151	C1F003JES.....	195	C1FC05EE.....	193
3009B.75.....	151	C1F003LES.....	194	C1FC05GE.....	193
3009B1.....	151	C1F003PES.....	195	C1FC05HR.....	194
3009B1.5.....	151	C1F003WES.....	193	C1FC05JE.....	195
3009B10.....	151	C1F003XES.....	195	C1FC05LE.....	194
3009B12.....	151	C1F005CES.....	194	C1FC05PE.....	195
3009B16.....	151	C1F005EES.....	193	C1FC05WE.....	193
3009B2.....	151	C1F005GES.....	193	C1FC05XE.....	195

Note: For DOE 2016 product information please see the HPS Sentinel® Energy Efficient Distribution Transformer Selection Guide (DOESEL15) or the HPS Millennium™ G Medium Voltage Transformer Selection Guide (MILGMED15)



GENERAL INFORMATION

ALPHA NUMERIC PART NUMBER INDEX

Catalog Part No.	Catalog Page No.	Catalog Part No.	Catalog Page No.	Catalog Part No.	Catalog Page No.
C1FC10CE	194	C3F002DKS	197	C3F075KBS	198
C1FC10EE	193	C3F002KBS	198	C3F075KDS	198
C1FC10GE	193	C3F002KDS	198	C3F075PBS	198
C1FC10HR	194	C3F002PBS	198	C3F075PDS	198
C1FC10JE	195	C3F002PDS	198	CRX0001AC	105
C1FC10LE	194	C3F003BBS	197	CRX0001AE	111
C1FC10PE	195	C3F003BKS	197	CRX0001BC	105
C1FC10WE	193	C3F003DBS	197	CRX0001BE	111
C1FC10XE	195	C3F003DKS	197	CRX0002CC	105
C1FC15CE	194	C3F003KBS	198	CRX0002CE	111
C1FC15EE	193	C3F003KDS	198	CRX0002NC	109
C1FC15GE	193	C3F003PBS	198	CRX0002NE	115
C1FC15HR	194	C3F003PDS	198	CRX0003AC	105
C1FC15JE	195	C3F006BBS	197	CRX0003AE	111
C1FC15LE	194	C3F006BKS	197	CRX0003BC	105
C1FC15PE	195	C3F006DBS	197	CRX0003BE	111
C1FC15WE	193	C3F006DKS	197	CRX0003NC	109
C1FC15XE	195	C3F006KBS	198	CRX0003NE	115
C1FC25CE	194	C3F006KDS	198	CRX0003PC	109
C1FC25EE	193	C3F006PBS	198	CRX0003PE	115
C1FC25GE	193	C3F006PDS	198	CRX0004CC	105
C1FC25HR	194	C3F009BBS	197	CRX0004CE	111
C1FC25JE	195	C3F009BKS	197	CRX0008CC	106
C1FC25LE	194	C3F009DBS	197	CRX0008CE	112
C1FC25PE	195	C3F009DKS	197	CRX0008NC	109
C1FC25WE	193	C3F009KBS	198	CRX0008NE	115
C1FC25XE	195	C3F009KDS	198	CRX0008PC	109
C1FC35CE	194	C3F009PBS	198	CRX0008PE	115
C1FC35EE	193	C3F009PDS	198	CRX0009AC	106
C1FC35GE	193	C3F015BBS	197	CRX0009AE	112
C1FC35HR	194	C3F015BKS	197	CRX0009BC	106
C1FC35JE	195	C3F015DBS	197	CRX0009BE	112
C1FC35LE	194	C3F015DKS	197	CRX0011AC	106
C1FC35PE	195	C3F015KBS	198	CRX0011AE	112
C1FC35WE	193	C3F015KDS	198	CRX0011BC	106
C1FC35XE	195	C3F015PBS	198	CRX0011BE	112
C1FC50CE	194	C3F015PDS	198	CRX0011CC	106
C1FC50EE	193	C3F030BBS	197	CRX0011CE	112
C1FC50GE	193	C3F030BKS	197	CRX0011DC	106
C1FC50HR	194	C3F030DBS	197	CRX0011DE	112
C1FC50JE	195	C3F030DKS	197	CRX0011NC	109
C1FC50LE	194	C3F030KBS	198	CRX0011NE	115
C1FC50PE	195	C3F030KDS	198	CRX0012CC	106
C1FC50WE	193	C3F030PBS	198	CRX0012CE	112
C1FC50XE	195	C3F030PDS	198	CRX0014AC	106
C1FC75CES	194	C3F045BBS	197	CRX0014AE	112
C1FC75EES	193	C3F045BKS	197	CRX0014BC	106
C1FC75GES	193	C3F045DBS	197	CRX0014BE	112
C1FC75HRS	194	C3F045DKS	197	CRX0014NC	109
C1FC75JES	195	C3F045KBS	198	CRX0014NE	115
C1FC75LES	194	C3F045KDS	198	CRX0017AC	106
C1FC75PES	195	C3F045PBS	198	CRX0017AE	112
C1FC75WES	193	C3F045PDS	198	CRX0017BC	106
C1FC75XES	195	C3F075BBS	197	CRX0017BE	112
C3F002BBS	197	C3F075BKS	197	CRX0018NC	109
C3F002BKS	197	C3F075DBS	197	CRX0018NE	115
C3F002DBS	197	C3F075DKS	197	CRX0021AC	106

Note: For DOE 2016 product information please see the HPS Sentinel® Energy Efficient Distribution Transformer Selection Guide (DOESEL15) or the HPS Millennium™ G Medium Voltage Transformer Selection Guide (MILGMED15)

GENERAL
INFORMATION



GENERAL INFORMATION

ALPHA NUMERIC PART NUMBER INDEX

Catalog Part No.	Catalog Page No.	Catalog Part No.	Catalog Page No.	Catalog Part No.	Catalog Page No.
CRX0021AE	112	CRX0041BC	106	CRX0077DE	113
CRX0021BC	106	CRX0041BE	112	CRX0080NC	109
CRX0021BE	112	CRX0045CC	106	CRX0080NE	115
CRX0021NC	109	CRX0045CE	112	CRX0088AC	107
CRX0021NE	115	CRX0045NC	109	CRX0088AE	113
CRX0022AC	106	CRX0045NE	115	CRX0088BC	107
CRX0022AE	112	CRX0046AC	106	CRX0088BE	113
CRX0022BC	106	CRX0046AE	112	CRX0088CC	107
CRX0022BE	112	CRX0046BC	106	CRX0088CE	113
CRX0023NC	109	CRX0046BE	112	CRX0088DC	107
CRX0023NE	115	CRX0046CC	106	CRX0088DE	113
CRX0023PC	109	CRX0046CE	112	CRX0089NC	109
CRX0023PE	115	CRX0046DC	106	CRX0089NE	115
CRX0024AC	106	CRX0046DE	112	CRX0089PC	109
CRX0024AE	112	CRX0052AC	107	CRX0089PE	115
CRX0024BC	106	CRX0052AE	113	CRX0096AC	107
CRX0024BE	112	CRX0052BC	107	CRX0096AE	113
CRX0024CC	106	CRX0052BE	113	CRX0096BC	107
CRX0024CE	112	CRX0052CC	107	CRX0096BE	113
CRX0024DC	106	CRX0052CE	113	CRX0096NC	109
CRX0024DE	112	CRX0052DC	107	CRX0096NE	115
CRX0025NC	109	CRX0052DE	113	CRX0099AC	107
CRX0025NE	115	CRX0055NC	109	CRX0099AE	113
CRX0027AC	106	CRX0055NE	115	CRX0099BC	107
CRX0027AE	112	CRX0059AC	107	CRX0099BE	113
CRX0027BC	106	CRX0059AE	113	CRX0111PC	109
CRX0027BE	112	CRX0059BC	107	CRX0111PE	115
CRX0027CC	106	CRX0059BE	113	CRX0114AC	107
CRX0027CE	112	CRX0059CC	107	CRX0114AE	113
CRX0027DC	106	CRX0059CE	113	CRX0114BC	107
CRX0027DE	112	CRX0059DC	107	CRX0114BE	113
CRX0031AC	106	CRX0059DE	113	CRX0114CC	107
CRX0031AE	112	CRX0062AC	107	CRX0114CE	113
CRX0031BC	106	CRX0062AE	113	CRX0114DC	107
CRX0031BE	112	CRX0062BC	107	CRX0114DE	113
CRX0031CC	106	CRX0062BE	113	CRX0124AC	107
CRX0031CE	112	CRX0065AC	107	CRX0124AE	113
CRX0031DC	106	CRX0065AE	113	CRX0124BC	107
CRX0031DE	112	CRX0065BC	107	CRX0124BE	113
CRX0032AC	106	CRX0065BE	113	CRX0125AC	107
CRX0032AE	112	CRX0065NC	109	CRX0125AE	113
CRX0032BC	106	CRX0065NE	115	CRX0125BC	107
CRX0032BE	112	CRX0075AC	107	CRX0125BE	113
CRX0033NC	109	CRX0075AE	113	CRX0130NC	109
CRX0033NE	115	CRX0075BC	107	CRX0130NE	115
CRX0034AC	106	CRX0075BE	113	CRX0143AC	107
CRX0034AE	112	CRX0075CC	107	CRX0143AE	113
CRX0034BC	106	CRX0075CE	113	CRX0143BC	107
CRX0034BE	112	CRX0075DC	107	CRX0143BE	113
CRX0035CC	106	CRX0075DE	113	CRX0143CC	107
CRX0035CE	112	CRX0077AC	107	CRX0143CE	113
CRX0040AC	106	CRX0077AE	113	CRX0143DC	107
CRX0040AE	112	CRX0077BC	107	CRX0143DE	113
CRX0040BC	106	CRX0077BE	113	CRX0144AC	107
CRX0040BE	112	CRX0077CC	107	CRX0144AE	113
CRX0041AC	106	CRX0077CE	113	CRX0144BC	107
CRX0041AE	112	CRX0077DC	107	CRX0144BE	113

Note: For DOE 2016 product information please see the HPS Sentinel® Energy Efficient Distribution Transformer Selection Guide (DOESEL15) or the HPS Millennium™ G Medium Voltage Transformer Selection Guide (MILGMED15)



GENERAL INFORMATION

ALPHA NUMERIC PART NUMBER INDEX

Catalog Part No.	Catalog Page No.	Catalog Part No.	Catalog Page No.	Catalog Part No.	Catalog Page No.
CRX0147NC	109	CRX0211CE	114	CRX0302BC	108
CRX0147NE	115	CRX0211DC	108	CRX0302BE	114
CRX0147PC	109	CRX0211DE	114	CRX0336AC	108
CRX0147PE	115	CRX0219NC	110	CRX0336AE	114
CRX0156AC	107	CRX0219NE	116	CRX0336BC	108
CRX0156AE	113	CRX0219PC	110	CRX0336BE	114
CRX0156BC	107	CRX0219PE	116	CRX0343AC	108
CRX0156BE	113	CRX0240AC	108	CRX0343AE	114
CRX0160NC	109	CRX0240AE	114	CRX0343BC	108
CRX0160NE	115	CRX0240BC	108	CRX0343BE	114
CRX0170AC	107	CRX0240BE	114	CRX0343CC	108
CRX0170AE	113	CRX0242AC	108	CRX0343CE	114
CRX0170BC	107	CRX0242AE	114	CRX0343DC	108
CRX0170BE	113	CRX0242BC	108	CRX0343DE	114
CRX0170CC	107	CRX0242BE	114	CRX0361AC	108
CRX0170CE	113	CRX0273AC	108	CRX0361AE	114
CRX0170DC	107	CRX0273AE	114	CRX0361BC	108
CRX0170DE	113	CRX0273BC	108	CRX0361BE	114
CRX0180AC	107	CRX0273BE	114	CRX0382AC	108
CRX0180AE	113	CRX0273CC	108	CRX0382AE	114
CRX0180BC	107	CRX0273CE	114	CRX0382BC	108
CRX0180BE	113	CRX0273DC	108	CRX0382BE	114
CRX0183NC	110	CRX0273DE	114	CRX0396AC	108
CRX0183NE	116	CRX0289AC	108	CRX0396AE	114
CRX0183PC	110	CRX0289AE	114	CRX0396BC	108
CRX0183PE	116	CRX0289BC	108	CRX0396BE	114
CRX0192AC	107	CRX0289BE	114	CRX0396CC	108
CRX0192AE	113	CRX0291NC	110	CRX0396CE	114
CRX0192BC	107	CRX0291NE	116	CRX0396DC	108
CRX0192BE	113	CRX0291PC	110	CRX0396DE	114
CRX01D1AC	105	CRX0291PE	116	CRX03D4AC	105
CRX01D1AE	111	CRX02D1AC	105	CRX03D4AE	111
CRX01D1BC	105	CRX02D1AE	111	CRX03D4BC	105
CRX01D1BE	111	CRX02D1BC	105	CRX03D4BE	111
CRX01D2NC	109	CRX02D1BE	111	CRX03D4NC	109
CRX01D2NE	115	CRX02D1NC	109	CRX03D4NE	115
CRX01D4AC	105	CRX02D1NE	115	CRX03D5AC	105
CRX01D4AE	111	CRX02D1PC	109	CRX03D5AE	111
CRX01D4BC	105	CRX02D1PE	115	CRX03D5BC	105
CRX01D4BE	111	CRX02D4AC	105	CRX03D5BE	111
CRX01D6AC	105	CRX02D4AE	111	CRX03D5CC	105
CRX01D6AE	111	CRX02D4BC	105	CRX03D5CE	111
CRX01D6BC	105	CRX02D4BE	111	CRX03D5DC	105
CRX01D6BE	111	CRX02D4CC	105	CRX03D5DE	111
CRX01D6NC	109	CRX02D4CE	111	CRX03D9AC	105
CRX01D6NE	115	CRX02D4DC	105	CRX03D9AE	111
CRX01D8AC	105	CRX02D4DE	111	CRX03D9BC	105
CRX01D8AE	111	CRX02D6AC	105	CRX03D9BE	111
CRX01D8BC	105	CRX02D6AE	111	CRX0412AC	108
CRX01D8BE	111	CRX02D6BC	105	CRX0412AE	114
CRX0200CC	108	CRX02D6BE	111	CRX0412BC	108
CRX0200CE	114	CRX02D7AC	105	CRX0412BE	114
CRX0211AC	108	CRX02D7AE	111	CRX0414AC	108
CRX0211AE	114	CRX02D7BC	105	CRX0414AE	114
CRX0211BC	108	CRX02D7BE	111	CRX0414BC	108
CRX0211BE	114	CRX0302AC	108	CRX0414BE	114
CRX0211CC	108	CRX0302AE	114	CRX0472AC	108

Note: For DOE 2016 product information please see the HPS Sentinel® Energy Efficient Distribution Transformer Selection Guide (DOESEL15) or the HPS Millennium™ G Medium Voltage Transformer Selection Guide (MILGMED15)

GENERAL
INFORMATION



GENERAL INFORMATION

ALPHA NUMERIC PART NUMBER INDEX

Catalog Part No.	Catalog Page No.	Catalog Part No.	Catalog Page No.	Catalog Part No.	Catalog Page No.
CRX0472AE	114	CRX07D5CC	105	CRX59D8PE	115
CRX0472BC	108	CRX07D5CE	111	CRX74D4NC	109
CRX0472BE	114	CRX07D5DC	105	CRX74D4NE	115
CRX0477AC	108	CRX07D5DE	111	CRX74D4PC	109
CRX0477AE	114	CRX07D5NC	109	CRX74D4PE	115
CRX0477BC	108	CRX07D5NE	115	DE007BK	137
CRX0477BE	114	CRX07D6AC	105	DE007BKCN	141
CRX04D6AC	105	CRX07D6AE	111	DE007CC	137
CRX04D6AE	111	CRX07D6BC	105	DE007CCCN	142
CRX04D6BC	105	CRX07D6BE	111	DE007JC	138
CRX04D6BE	111	CRX0840AC	108	DE007JCCN	142
CRX04D6CC	105	CRX0840AE	114	DE007JH	138
CRX04D6CE	111	CRX0960AC	108	DE007JHCN	143
CRX04D6DC	105	CRX0960AE	114	DE007JJ	139
CRX04D6DE	111	CRX1080AC	108	DE007JCN	143
CRX04D8AC	105	CRX1080AE	114	DE007KD	139
CRX04D8AE	111	CRX10D7AC	106	DE007KDCN	144
CRX04D8BC	105	CRX10D7AE	112	DE007KK	140
CRX04D8BE	111	CRX10D7BC	106	DE007KKCN	144
CRX04D8NC	109	CRX10D7BE	112	DE007NJ	140
CRX04D8NE	115	CRX10D7CC	106	DE007NJCN	145
CRX04D8PC	109	CRX10D7CE	112	DE007NN	141
CRX04D8PE	115	CRX10D7DC	106	DE007NNCN	145
CRX0515AC	108	CRX10D7DE	112	DE011BK	137
CRX0515AE	114	CRX11D8NC	109	DE011BKCN	141
CRX0515BC	108	CRX11D8NE	115	DE011CC	137
CRX0515BE	114	CRX11D8PC	109	DE011CCCN	142
CRX0528AC	108	CRX11D8PE	115	DE011JC	138
CRX0528AE	114	CRX1200AC	108	DE011JCCN	142
CRX0528BC	108	CRX1200AE	114	DE011JH	138
CRX0528BE	114	CRX15D6NC	109	DE011JHCN	143
CRX0528CC	108	CRX15D6NE	115	DE011JJ	139
CRX0528CE	114	CRX15D6PC	109	DE011JCN	143
CRX0528DC	108	CRX15D6PE	115	DE011KD	139
CRX0528DE	114	CRX16D7AC	106	DE011KDCN	144
CRX0590AC	108	CRX16D7AE	112	DE011KK	140
CRX0590AE	114	CRX16D7BC	106	DE011KKCN	144
CRX0590BC	108	CRX16D7BE	112	DE011NJ	140
CRX0590BE	114	CRX16D7CC	106	DE011NJCN	145
CRX06D1AC	105	CRX16D7CE	112	DE011NN	141
CRX06D1AE	111	CRX16D7DC	106	DE011NNCN	145
CRX06D1BC	105	CRX16D7DE	112	DE014BK	137
CRX06D1BE	111	CRX30D5NC	109	DE014BKCN	141
CRX06D6AC	105	CRX30D5NE	115	DE014CC	137
CRX06D6AE	111	CRX30D5PC	109	DE014CCCN	142
CRX06D6BC	105	CRX30D5PE	115	DE014JC	138
CRX06D6BE	111	CRX37D8NC	109	DE014JCCN	142
CRX06D6CC	105	CRX37D8NE	115	DE014JH	138
CRX06D6CE	111	CRX37D8PC	109	DE014JHCN	143
CRX06D6DC	105	CRX37D8PE	115	DE014JJ	139
CRX06D6DE	111	CRX45D2NC	109	DE014JCN	143
CRX0720AC	108	CRX45D2NE	115	DE014KD	139
CRX0720AE	114	CRX45D2PC	109	DE014KDCN	144
CRX07D5AC	105	CRX45D2PE	115	DE014KK	140
CRX07D5AE	111	CRX59D8NC	109	DE014KKCN	144
CRX07D5BC	105	CRX59D8NE	115	DE014NJ	140
CRX07D5BE	111	CRX59D8PC	109	DE014NJCN	145

Note: For DOE 2016 product information please see the HPS Sentinel® Energy Efficient Distribution Transformer Selection Guide (DOESEL15) or the HPS Millennium™ G Medium Voltage Transformer Selection Guide (MILGMED15)



GENERAL INFORMATION

ALPHA NUMERIC PART NUMBER INDEX

Catalog Part No.	Catalog Page No.	Catalog Part No.	Catalog Page No.	Catalog Part No.	Catalog Page No.
DE014NN	141	DE040BKC	141	DE075JC	138
DE014NNCN	145	DE040CC	137	DE075JCC	142
DE020BK	137	DE040CCC	142	DE075JH	138
DE020BKC	141	DE040JC	138	DE075JHC	143
DE020CC	137	DE040JCC	142	DE075JJ	139
DE020CCC	142	DE040JH	138	DE075JJC	143
DE020JC	138	DE040JHC	143	DE075KD	139
DE020JCCN	142	DE040JJ	139	DE075KDC	144
DE020JH	138	DE040JJC	143	DE075KK	140
DE020JHCN	143	DE040KD	139	DE075KKC	144
DE020JJ	139	DE040KDC	144	DE075NJ	140
DE020JCN	143	DE040KK	140	DE075NJC	145
DE020KD	139	DE040KCC	144	DE075NN	141
DE020KDCN	144	DE040KCC	144	DE075NNC	145
DE020KK	140	DE040NJ	140	DE093BK	137
DE020KKCN	144	DE040NJC	145	DE093BKC	141
DE020NJ	140	DE040NN	141	DE093CC	137
DE020NJC	145	DE040NNCN	145	DE093CCC	142
DE020NN	141	DE051BK	137	DE093JC	138
DE020NNCN	145	DE051BKC	141	DE093JCC	142
DE027BK	137	DE051CC	137	DE093JH	138
DE027BKC	141	DE051CCC	142	DE093JHC	143
DE027CC	137	DE051JC	138	DE093JJ	139
DE027CCC	142	DE051JCC	142	DE093JJC	143
DE027JC	138	DE051JH	138	DE093KD	139
DE027JCCN	142	DE051JHC	143	DE093KDC	144
DE027JH	138	DE051JJ	139	DE093KK	140
DE027JHCN	143	DE051JJC	143	DE093KKC	144
DE027JJ	139	DE051KD	139	DE093NJ	140
DE027JCN	143	DE051KDC	144	DE093NJC	145
DE027KD	139	DE051KK	140	DE093NN	141
DE027KDCN	144	DE051KKC	144	DE093NNC	145
DE027KK	140	DE051NJ	140	DE118BK	137
DE027KKCN	144	DE051NJC	145	DE118BKC	141
DE027NJ	140	DE051NN	141	DE118CC	137
DE027NJC	145	DE051NNC	145	DE118CCC	142
DE027NN	141	DE063BK	137	DE118JC	138
DE027NNCN	145	DE063BKC	141	DE118JCC	142
DE034BK	137	DE063CC	137	DE118JH	138
DE034BKC	141	DE063CCC	142	DE118JHC	143
DE034CC	137	DE063JC	138	DE118JJ	139
DE034CCC	142	DE063JCC	142	DE118JJC	143
DE034JC	138	DE063JH	138	DE118KD	139
DE034JCC	142	DE063JHC	143	DE118KDC	144
DE034JH	138	DE063JJ	139	DE118KK	140
DE034JHC	143	DE063JJC	143	DE118KKC	144
DE034JJ	139	DE063KD	139	DE118NJ	140
DE034JJC	143	DE063KDC	144	DE118NJC	145
DE034KD	139	DE063KK	140	DE118NN	141
DE034KDCN	144	DE063KKC	144	DE118NNC	145
DE034KK	140	DE063NJ	140	DE145BK	137
DE034KKCN	144	DE063NJC	145	DE145BKC	141
DE034NJ	140	DE063NN	141	DE145CC	137
DE034NJC	145	DE063NNC	145	DE145CCC	142
DE034NN	141	DE075BK	137	DE145JC	138
DE034NNCN	145	DE075BKC	141	DE145JCC	142
DE040BK	137	DE075CC	137	DE145JH	138
		DE075CCC	142		

Note: For DOE 2016 product information please see the HPS Sentinel® Energy Efficient Distribution Transformer Selection Guide (DOESEL15) or the HPS Millennium™ G Medium Voltage Transformer Selection Guide (MILGMED15)



GENERAL
INFORMATION

GENERAL INFORMATION

ALPHA NUMERIC PART NUMBER INDEX

Catalog Part No.	Catalog Page No.	Catalog Part No.	Catalog Page No.	Catalog Part No.	Catalog Page No.
DE145JHC	143	DE275KD	139	DE550KKC	144
DE145JJ	139	DE275KDC	144	DE550NJ	140
DE145JJC	143	DE275KK	140	DE550NJC	145
DE145KD	139	DE275KCC	144	DE550NN	141
DE145KDC	144	DE275NJ	140	DE550NNC	145
DE145KK	140	DE275NJC	145	DE660BK	137
DE145KCC	144	DE275NN	141	DE660BKC	141
DE145NJ	140	DE275NNC	145	DE660CC	137
DE145NJC	145	DE330BK	137	DE660CCC	142
DE145NN	141	DE330BKC	141	DE660JC	138
DE145NNC	145	DE330CC	137	DE660JCC	142
DE175BK	137	DE330CCC	142	DE660JH	138
DE175BKC	141	DE330JC	138	DE660JHC	143
DE175CC	137	DE330JCC	142	DE660JJ	139
DE175CCC	142	DE330JH	138	DE660JJC	143
DE175JC	138	DE330JHC	143	DE660KD	139
DE175JCC	142	DE330JJ	139	DE660KDC	144
DE175JH	138	DE330JJC	143	DE660KK	140
DE175JHC	143	DE330KD	139	DE660KCC	144
DE175JJ	139	DE330KDC	144	DE660NJ	140
DE175JJC	143	DE330KK	140	DE660NJC	145
DE175KD	139	DE330KCC	144	DE660NN	141
DE175KDC	144	DE330NJ	140	DE660NNC	145
DE175KK	140	DE330NJC	145	DM007BK	126
DE175KCC	144	DE330NN	141	DM007BCCN	130
DE175NJ	140	DE330NNC	145	DM007CC	126
DE175NJC	145	DE440BK	137	DM007CCCN	131
DE175NN	141	DE440BKC	141	DM007JC	127
DE175NNC	145	DE440CC	137	DM007JCCN	131
DE220BK	137	DE440CCC	142	DM007JH	127
DE220BKC	141	DE440JC	138	DM007JHCN	132
DE220CC	137	DE440JCC	142	DM007JJ	128
DE220CCC	142	DE440JH	138	DM007JJC	132
DE220JC	138	DE440JHC	143	DM007KD	128
DE220JCC	142	DE440JJ	139	DM007KDCN	133
DE220JH	138	DE440JJC	143	DM007KK	129
DE220JHC	143	DE440KD	139	DM007KCCN	133
DE220JJ	139	DE440KDC	144	DM007NJ	129
DE220JJC	143	DE440KK	140	DM007NJC	134
DE220KD	139	DE440KCC	144	DM007NN	130
DE220KDC	144	DE440NJ	140	DM007NNC	134
DE220KK	140	DE440NJC	145	DM011BK	126
DE220KCC	144	DE440NN	141	DM011BCCN	130
DE220NJ	140	DE440NNC	145	DM011CC	126
DE220NJC	145	DE550BK	137	DM011CCCN	131
DE220NN	141	DE550BKC	141	DM011JC	127
DE220NNC	145	DE550CC	137	DM011JCCN	131
DE275BK	137	DE550CCC	142	DM011JH	127
DE275BKC	141	DE550JC	138	DM011JHCN	132
DE275CC	137	DE550JCC	142	DM011JJ	128
DE275CCC	142	DE550JH	138	DM011JJC	132
DE275JC	138	DE550JHC	143	DM011KD	128
DE275JCC	142	DE550JJ	139	DM011KDCN	133
DE275JH	138	DE550JJC	143	DM011KK	129
DE275JHC	143	DE550KD	139	DM011KCCN	133
DE275JJ	139	DE550KDC	144	DM011NJ	129
DE275JJC	143	DE550KK	140	DM011NJC	134

Note: For DOE 2016 product information please see the HPS Sentinel® Energy Efficient Distribution Transformer Selection Guide (DOESEL15) or the HPS Millennium™ G Medium Voltage Transformer Selection Guide (MILGMED15)



GENERAL INFORMATION

ALPHA NUMERIC PART NUMBER INDEX

Catalog Part No.	Catalog Page No.	Catalog Part No.	Catalog Page No.	Catalog Part No.	Catalog Page No.
DM011NN	130	DM034BKC	130	DM063JC	127
DM011NNCN	134	DM034CC	126	DM063JCC	131
DM014BK	126	DM034CCC	131	DM063JH	127
DM014BKC	130	DM034JC	127	DM063JHC	132
DM014CC	126	DM034JCC	131	DM063JJ	128
DM014CCCN	131	DM034JH	127	DM063JJC	132
DM014JC	127	DM034JHC	132	DM063KD	128
DM014JCCN	131	DM034JJ	128	DM063KDC	133
DM014JH	127	DM034JJC	132	DM063KK	129
DM014JHCN	132	DM034KD	128	DM063KKC	133
DM014JJ	128	DM034KDCN	133	DM063NJ	129
DM014JJCN	132	DM034KK	129	DM063NJC	134
DM014KD	128	DM034KCCN	133	DM063NN	130
DM014KDCN	133	DM034NJ	129	DM063NNC	134
DM014KK	129	DM034NJCN	134	DM075BK	126
DM014KCCN	133	DM034NN	130	DM075BKC	130
DM014NJ	129	DM034NNCN	134	DM075CC	126
DM014NJCN	134	DM040BK	126	DM075CCC	131
DM014NN	130	DM040BKC	130	DM075JC	127
DM014NNCN	134	DM040CC	126	DM075JCC	131
DM020BK	126	DM040CCC	131	DM075JH	127
DM020BKC	130	DM040JC	127	DM075JHC	132
DM020CC	126	DM040JCC	131	DM075JJ	128
DM020CCC	131	DM040JH	127	DM075JJC	132
DM020JC	127	DM040JHC	132	DM075KD	128
DM020JCCN	131	DM040JJ	128	DM075KDC	133
DM020JH	127	DM040JJC	132	DM075KK	129
DM020JHCN	132	DM040KD	128	DM075KKC	133
DM020JJ	128	DM040KDC	133	DM075NJ	129
DM020JJCN	132	DM040KK	129	DM075NJC	134
DM020KD	128	DM040KCC	133	DM075NN	130
DM020KDCN	133	DM040NJ	129	DM075NNC	134
DM020KK	129	DM040NJCN	134	DM093BK	126
DM020KCCN	133	DM040NN	130	DM093BKC	130
DM020NJ	129	DM040NNCN	134	DM093CC	126
DM020NJCN	134	DM051BK	126	DM093CCC	131
DM020NN	130	DM051BKC	130	DM093JC	127
DM020NNCN	134	DM051CC	126	DM093JCC	131
DM027BK	126	DM051CCC	131	DM093JH	127
DM027BKC	130	DM051JC	127	DM093JHC	132
DM027CC	126	DM051JCC	131	DM093JJ	128
DM027CCC	131	DM051JH	127	DM093JJC	132
DM027JC	127	DM051JHC	132	DM093KD	128
DM027JCCN	131	DM051JJ	128	DM093KDC	133
DM027JH	127	DM051JJC	132	DM093KK	129
DM027JHCN	132	DM051KD	128	DM093KKC	133
DM027JJ	128	DM051KDC	133	DM093NJ	129
DM027JJCN	132	DM051KK	129	DM093NJC	134
DM027KD	128	DM051KCC	133	DM093NN	130
DM027KDCN	133	DM051NJ	129	DM093NNC	134
DM027KK	129	DM051NJC	134	DM118BK	126
DM027KCCN	133	DM051NN	130	DM118BKC	130
DM027NJ	129	DM051NNC	134	DM118CC	126
DM027NJCN	134	DM063BK	126	DM118CCC	131
DM027NN	130	DM063BKC	130	DM118JC	127
DM027NNCN	134	DM063CC	126	DM118JCC	131
DM034BK	126	DM063CCC	131	DM118JH	127

Note: For DOE 2016 product information please see the HPS Sentinel® Energy Efficient Distribution Transformer Selection Guide (DOESEL15) or the HPS Millennium™ G Medium Voltage Transformer Selection Guide (MILGMED15)

GENERAL
INFORMATION



GENERAL INFORMATION

ALPHA NUMERIC PART NUMBER INDEX

Catalog Part No.	Catalog Page No.	Catalog Part No.	Catalog Page No.	Catalog Part No.	Catalog Page No.
DM118JHC	132	DM220KD	128	DM440KCC	133
DM118JJ	128	DM220KDC	133	DM440NJ	129
DM118JJC	132	DM220KK	129	DM440NJC	134
DM118KD	128	DM220KCC	133	DM440NN	130
DM118KDC	133	DM220NJ	129	DM440NNC	134
DM118KK	129	DM220NJC	134	DM550BK	126
DM118KCC	133	DM220NN	130	DM550BKC	130
DM118NJ	129	DM220NNC	134	DM550CC	126
DM118NJC	134	DM275BK	126	DM550CCC	131
DM118NN	130	DM275BKC	130	DM550JC	127
DM118NNC	134	DM275CC	126	DM550JCC	131
DM145BK	126	DM275CCC	131	DM550JH	127
DM145BKC	130	DM275JC	127	DM550JHC	132
DM145CC	126	DM275JCC	131	DM550JJ	128
DM145CCC	131	DM275JCH	127	DM550JJC	132
DM145JC	127	DM275JHC	132	DM550KD	128
DM145JCC	131	DM275JJ	128	DM550KDC	133
DM145JH	127	DM275JJC	132	DM550KK	129
DM145JHC	132	DM275KD	128	DM550KCC	133
DM145JJ	128	DM275KDC	133	DM550NJ	129
DM145JJC	132	DM275KK	129	DM550NJC	134
DM145KD	128	DM275KCC	133	DM550NN	130
DM145KDC	133	DM275NJ	129	DM550NNC	134
DM145KK	129	DM275NJC	134	DM660BK	126
DM145KCC	133	DM275NN	130	DM660BKC	130
DM145NJ	129	DM275NNC	134	DM660CC	126
DM145NJC	134	DM330BK	126	DM660CCC	131
DM145NN	130	DM330BKC	130	DM660JC	127
DM145NNC	134	DM330CC	126	DM660JCC	131
DM175BK	126	DM330CCC	131	DM660JH	127
DM175BKC	130	DM330JC	127	DM660JHC	132
DM175CC	126	DM330JCC	131	DM660JJ	128
DM175CCC	131	DM330JCH	127	DM660JJC	132
DM175JC	127	DM330JHC	132	DM660KD	128
DM175JCC	131	DM330JJ	128	DM660KDC	133
DM175JH	127	DM330JJC	132	DM660KK	129
DM175JHC	132	DM330KD	128	DM660KCC	133
DM175JJ	128	DM330KDC	133	DM660NJ	129
DM175JJC	132	DM330KK	129	DM660NJC	134
DM175KD	128	DM330KCC	133	DM660NN	130
DM175KDC	133	DM330NJ	129	DM660NNC	134
DM175KK	129	DM330NJC	134	FS1000ACP	55
DM175KCC	133	DM330NN	130	FS1000KHP	57
DM175NJ	129	DM330NNC	134	FS1000MQMJ	56
DM175NJC	134	DM440BK	126	FS1000NJ	58
DM175NN	130	DM440BKC	130	FS1000SP	59
DM175NNC	134	DM440CC	126	FS100ACP	55
DM220BK	126	DM440CCC	131	FS100AR	55
DM220BKC	130	DM440JC	127	FS100KHP	57
DM220CC	126	DM440JCC	131	FS100KHR	57
DM220CCC	131	DM440JH	127	FS100MQMJ	56
DM220JC	127	DM440JHC	132	FS100NJ	58
DM220JCC	131	DM440JJ	128	FS100PR	58
DM220JH	127	DM440JJC	132	FS100QR	56
DM220JHC	132	DM440KD	128	FS100SP	59
DM220JJ	128	DM440KDC	133	FS100SR	59
DM220JJC	132	DM440KK	129	FS1500ACP	55

Note: For DOE 2016 product information please see the HPS Sentinel® Energy Efficient Distribution Transformer Selection Guide (DOESEL15) or the HPS Millennium™ G Medium Voltage Transformer Selection Guide (MILGMED15)



GENERAL INFORMATION

ALPHA NUMERIC PART NUMBER INDEX

Catalog Part No.	Catalog Page No.	Catalog Part No.	Catalog Page No.	Catalog Part No.	Catalog Page No.
FS1500KHP.....	57	FS50QR.....	56	H1EM045BB00S.....	181
FS1500MQMJ.....	56	FS50SP.....	59	H1EM045BB30.....	187
FS1500NJ.....	58	FS50SR.....	59	H1EM045BB30S.....	183
FS1500SP.....	59	FS750ACP.....	55	H1EM045BK00.....	185
FS150ACP.....	55	FS750KHP.....	57	H1EM045BK00S.....	181
FS150AR.....	55	FS750MQMJ.....	56	H1EM045BK30.....	187
FS150KHP.....	57	FS750NJ.....	58	H1EM045BK30S.....	183
FS150KHR.....	57	FS750SP.....	59	H1EM045KB00.....	185
FS150MQMJ.....	56	H1EM015BB00.....	185	H1EM045KB00S.....	181
FS150NJ.....	58	H1EM015BB00S.....	181	H1EM045KB30.....	187
FS150PR.....	58	H1EM015BB30.....	187	H1EM045KB30S.....	183
FS150QR.....	56	H1EM015BB30S.....	183	H1EM045KK00.....	186
FS150SP.....	59	H1EM015BK00.....	185	H1EM045KK00S.....	182
FS150SR.....	59	H1EM015BK00S.....	181	H1EM045KK30.....	188
FS2000ACP.....	55	H1EM015BK30.....	187	H1EM045KK30S.....	184
FS2000MQMJ.....	56	H1EM015BK30S.....	183	H1EM045PB00.....	186
FS250ACP.....	55	H1EM015KB00.....	185	H1EM045PB00S.....	182
FS250AR.....	55	H1EM015KB00S.....	181	H1EM045PB30.....	188
FS250KHP.....	57	H1EM015KB30.....	187	H1EM045PB30S.....	184
FS250KHR.....	57	H1EM015KB30S.....	183	H1EM045PK00.....	186
FS250MQMJ.....	56	H1EM015KK00.....	186	H1EM045PK00S.....	182
FS250NJ.....	58	H1EM015KK00S.....	182	H1EM045PK30.....	188
FS250PR.....	58	H1EM015KK30.....	188	H1EM045PK30S.....	184
FS250QR.....	56	H1EM015KK30S.....	184	H1EM075BB00.....	185
FS250SP.....	59	H1EM015PB00.....	186	H1EM075BB00S.....	181
FS250SR.....	59	H1EM015PB00S.....	182	H1EM075BB30.....	187
FS3000ACP.....	55	H1EM015PB30.....	188	H1EM075BB30S.....	183
FS3000MQMJ.....	56	H1EM015PB30S.....	184	H1EM075BK00.....	185
FS350ACP.....	55	H1EM015PK00.....	186	H1EM075BK00S.....	181
FS350AR.....	55	H1EM015PK00S.....	182	H1EM075BK30.....	187
FS350KHP.....	57	H1EM015PK30.....	188	H1EM075BK30S.....	183
FS350KHR.....	57	H1EM015PK30S.....	184	H1EM075KB00.....	185
FS350MQMJ.....	56	H1EM030BB00.....	185	H1EM075KB00S.....	181
FS350NJ.....	58	H1EM030BB00S.....	181	H1EM075KB30.....	187
FS350PR.....	58	H1EM030BB30.....	187	H1EM075KB30S.....	183
FS350QR.....	56	H1EM030BB30S.....	183	H1EM075KK00.....	186
FS350SP.....	59	H1EM030BK00.....	185	H1EM075KK00S.....	182
FS350SR.....	59	H1EM030BK00S.....	181	H1EM075KK30.....	188
FS5000ACP.....	55	H1EM030BK30.....	187	H1EM075KK30S.....	184
FS5000MQMJ.....	56	H1EM030BK30S.....	183	H1EM075PB00.....	186
FS500ACP.....	55	H1EM030KB00.....	185	H1EM075PB00S.....	182
FS500AR.....	55	H1EM030KB00S.....	181	H1EM075PB30.....	188
FS500KHP.....	57	H1EM030KB30.....	187	H1EM075PB30S.....	184
FS500KHR.....	57	H1EM030KB30S.....	183	H1EM075PK00.....	186
FS500MQMJ.....	56	H1EM030KK00.....	186	H1EM075PK00S.....	182
FS500NJ.....	58	H1EM030KK00S.....	182	H1EM075PK30.....	188
FS500PR.....	58	H1EM030KK30.....	188	H1EM075PK30S.....	184
FS500QR.....	56	H1EM030KK30S.....	184	H1EM112BB00.....	185
FS500SP.....	59	H1EM030PB00.....	186	H1EM112BB00S.....	181
FS500SR.....	59	H1EM030PB00S.....	182	H1EM112BB30.....	187
FS50ACP.....	55	H1EM030PB30.....	188	H1EM112BB30S.....	183
FS50AR.....	55	H1EM030PB30S.....	184	H1EM112BK00.....	185
FS50KHP.....	57	H1EM030PK00.....	186	H1EM112BK00S.....	181
FS50KHR.....	57	H1EM030PK00S.....	182	H1EM112BK30.....	187
FS50MQMJ.....	56	H1EM030PK30.....	188	H1EM112BK30S.....	183
FS50NJ.....	58	H1EM030PK30S.....	184	H1EM112KB00.....	185
FS50PR.....	58	H1EM045BB00.....	185	H1EM112KB00S.....	181

Note: For DOE 2016 product information please see the HPS Sentinel® Energy Efficient Distribution Transformer Selection Guide (DOESEL15) or the HPS Millennium™ G Medium Voltage Transformer Selection Guide (MILGMED15)



GENERAL INFORMATION

ALPHA NUMERIC PART NUMBER INDEX

Catalog Part No.	Catalog Page No.	Catalog Part No.	Catalog Page No.	Catalog Part No.	Catalog Page No.
H1EM112KB30	187	H1EM225PB30	188	H1EM750BB30	187
H1EM112KB30S	183	H1EM225PB30S	184	H1EM750BB30S	183
H1EM112KK00	186	H1EM225PK00	186	H1EM750BK00	185
H1EM112KK00S	182	H1EM225PK00S	182	H1EM750BK00S	181
H1EM112KK30	188	H1EM225PK30	188	H1EM750BK30	187
H1EM112KK30S	184	H1EM225PK30S	184	H1EM750BK30S	183
H1EM112PB00	186	H1EM300BB00	185	H1EM750KB00	185
H1EM112PB00S	182	H1EM300BB00S	181	H1EM750KB00S	181
H1EM112PB30	188	H1EM300BB30	187	H1EM750KB30	187
H1EM112PB30S	184	H1EM300BB30S	183	H1EM750KB30S	183
H1EM112PK00	186	H1EM300BK00	185	H1EM750KK00	186
H1EM112PK00S	182	H1EM300BK00S	181	H1EM750KK00S	182
H1EM112PK30	188	H1EM300BK30	187	H1EM750KK30	188
H1EM112PK30S	184	H1EM300BK30S	183	H1EM750KK30S	184
H1EM150BB00	185	H1EM300KB00	185	H1EM750PB00	186
H1EM150BB00S	181	H1EM300KB00S	181	H1EM750PB00S	182
H1EM150BB30	187	H1EM300KB30	187	H1EM750PB30	188
H1EM150BB30S	183	H1EM300KB30S	183	H1EM750PB30S	184
H1EM150BK00	185	H1EM300KK00	186	H1EM750PK00	186
H1EM150BK00S	181	H1EM300KK00S	182	H1EM750PK00S	182
H1EM150BK30	187	H1EM300KK30	188	H1EM750PK30	188
H1EM150BK30S	183	H1EM300KK30S	184	H1EM750PK30S	184
H1EM150KB00	185	H1EM300PB00	186	M1PC005LESF	210
H1EM150KB00S	181	H1EM300PB00S	182	M1PC005LESF7	210
H1EM150KB30	187	H1EM300PB30	188	M1PC007LESF	210
H1EM150KB30S	183	H1EM300PB30S	184	M1PC007LESF7	210
H1EM150KK00	186	H1EM300PK00	186	M1PC010LESF	210
H1EM150KK00S	182	H1EM300PK00S	182	M1PC010LESF7	210
H1EM150KK30	188	H1EM300PK30	188	M1PC015LESF	210
H1EM150KK30S	184	H1EM300PK30S	184	M1PC015LESF7	210
H1EM150PB00	186	H1EM500BB00	185	M1PC025LESF	210
H1EM150PB00S	182	H1EM500BB00S	181	M1PC025LESF7	210
H1EM150PB30	188	H1EM500BB30	187	MV1S015REAF	219
H1EM150PB30S	184	H1EM500BB30S	183	MV1S015RECF	220
H1EM150PK00	186	H1EM500BK00	185	MV1S015SEAF	219
H1EM150PK00S	182	H1EM500BK00S	181	MV1S015SECF	220
H1EM150PK30	188	H1EM500BK30	187	MV1S025RECF	220
H1EM150PK30S	184	H1EM500BK30S	183	MV1S025REF	219
H1EM225BB00	185	H1EM500KB00	185	MV1S025SEAF	219
H1EM225BB00S	181	H1EM500KB00S	181	MV1S025SECF	220
H1EM225BB30	187	H1EM500KB30	187	MV1S037RE	219
H1EM225BB30S	183	H1EM500KB30S	183	MV1S037RECF	220
H1EM225BK00	185	H1EM500KK00	186	MV1S037SECF	220
H1EM225BK00S	181	H1EM500KK00S	182	MV1S037SEF	219
H1EM225BK30	187	H1EM500KK30	188	MV1S050RE	219
H1EM225BK30S	183	H1EM500KK30S	184	MV1S050RECF	220
H1EM225KB00	185	H1EM500PB00	186	MV1S050SE	219
H1EM225KB00S	181	H1EM500PB00S	182	MV1S050SECF	220
H1EM225KB30	187	H1EM500PB30	188	MV1S075RE	219
H1EM225KB30S	183	H1EM500PB30S	184	MV1S075REC	220
H1EM225KK00	186	H1EM500PK00	186	MV1S075SE	219
H1EM225KK00S	182	H1EM500PK00S	182	MV1S075SEC	220
H1EM225KK30	188	H1EM500PK30	188	MV1S100RE	219
H1EM225KK30S	184	H1EM500PK30S	184	MV1S100REC	220
H1EM225PB00	186	H1EM750BB00	185	MV1S100SE	219
H1EM225PB00S	182	H1EM750BB00S	181	MV1S100SEC	220

GENERAL INFORMATION

Note: For DOE 2016 product information please see the HPS Sentinel® Energy Efficient Distribution Transformer Selection Guide (DOESEL15) or the HPS Millennium™ G Medium Voltage Transformer Selection Guide (MILGMED15)



GENERAL INFORMATION

ALPHA NUMERIC PART NUMBER INDEX

Catalog Part No.	Catalog Page No.	Catalog Part No.	Catalog Page No.	Catalog Part No.	Catalog Page No.
MV3S750SPC.....	224	NMF075PE.....	163	NMK015PD.....	169
NMF015BE.....	162	NMF075PEC.....	164	NMK015PDCN.....	172
NMF015BEC.....	163	NMF075XE.....	163	NMK015PK.....	169
NMF015FE.....	162	NMF075XEC.....	164	NMK015PKCN.....	172
NMF015FEC.....	164	NMF100BE.....	162	NMK030BB.....	166
NMF015HE.....	162	NMF100BEC.....	163	NMK030BBC.....	169
NMF015HEC.....	164	NMF100FE.....	162	NMK030BK.....	166
NMF015LE.....	162	NMF100FEC.....	164	NMK030BKC.....	170
NMF015LEC.....	163	NMF100HE.....	162	NMK030DB.....	166
NMF015PE.....	163	NMF100HEC.....	164	NMK030DBC.....	170
NMF015PEC.....	164	NMF100LE.....	162	NMK030DK.....	167
NMF015XE.....	163	NMF100LEC.....	163	NMK030DKC.....	170
NMF015XEC.....	164	NMF100PE.....	163	NMK030KB.....	167
NMF025BE.....	162	NMF100PEC.....	164	NMK030KBCN.....	171
NMF025BEC.....	163	NMF100XE.....	163	NMK030KD.....	167
NMF025FE.....	162	NMF100XEC.....	164	NMK030KDCN.....	171
NMF025FEC.....	164	NMF150BE.....	162	NMK030KK.....	168
NMF025HE.....	162	NMF150BEC.....	163	NMK030KKCN.....	171
NMF025HEC.....	164	NMF150FE.....	162	NMK030KY.....	168
NMF025LE.....	162	NMF150FEC.....	164	NMK030PB.....	168
NMF025LEC.....	163	NMF150HE.....	162	NMK030PBCN.....	172
NMF025PE.....	163	NMF150HEC.....	164	NMK030PD.....	169
NMF025PEC.....	164	NMF150LE.....	162	NMK030PDC.....	172
NMF025XE.....	163	NMF150LEC.....	163	NMK030PK.....	169
NMF025XEC.....	164	NMF150PE.....	163	NMK030PKCN.....	172
NMF037BE.....	162	NMF150PEC.....	164	NMK045BB.....	166
NMF037BEC.....	163	NMF150XE.....	163	NMK045BBC.....	169
NMF037FE.....	162	NMF150XEC.....	164	NMK045BK.....	166
NMF037FEC.....	164	NMF167BE.....	162	NMK045BKC.....	170
NMF037HE.....	162	NMF167BEC.....	163	NMK045DB.....	166
NMF037HEC.....	164	NMF167FE.....	162	NMK045DBC.....	170
NMF037LE.....	162	NMF167FEC.....	164	NMK045DK.....	167
NMF037LEC.....	163	NMF167HE.....	162	NMK045DKC.....	170
NMF037PE.....	163	NMF167HEC.....	164	NMK045KB.....	167
NMF037PEC.....	164	NMF167LE.....	162	NMK045KBC.....	171
NMF037XE.....	163	NMF167LEC.....	163	NMK045KD.....	167
NMF037XEC.....	164	NMF167PE.....	163	NMK045KDC.....	171
NMF050BE.....	162	NMF167PEC.....	164	NMK045KK.....	168
NMF050BEC.....	163	NMF167XE.....	163	NMK045KKC.....	171
NMF050FE.....	162	NMF167XEC.....	164	NMK045KY.....	168
NMF050FEC.....	164	NMK015BB.....	166	NMK045PB.....	168
NMF050HE.....	162	NMK015BBCN.....	169	NMK045PBC.....	172
NMF050HEC.....	164	NMK015BK.....	166	NMK045PD.....	169
NMF050LE.....	162	NMK015BKCN.....	170	NMK045PDC.....	172
NMF050LEC.....	163	NMK015DB.....	166	NMK045PK.....	169
NMF050PE.....	163	NMK015DBCN.....	170	NMK045PKC.....	172
NMF050PEC.....	164	NMK015DK.....	167	NMK075BB.....	166
NMF050XE.....	163	NMK015DKCN.....	170	NMK075BBC.....	169
NMF050XEC.....	164	NMK015KB.....	167	NMK075BK.....	166
NMF075BE.....	162	NMK015KBCN.....	171	NMK075BKC.....	170
NMF075BEC.....	163	NMK015KD.....	167	NMK075DB.....	166
NMF075FE.....	162	NMK015KDCN.....	171	NMK075DBC.....	170
NMF075FEC.....	164	NMK015KK.....	168	NMK075DK.....	167
NMF075HE.....	162	NMK015KKCN.....	171	NMK075DKC.....	170
NMF075HEC.....	164	NMK015KY.....	168	NMK075KB.....	167
NMF075LE.....	162	NMK015PB.....	168	NMK075KBC.....	171
NMF075LEC.....	163	NMK015PBCN.....	172	NMK075KD.....	167

Note: For DOE 2016 product information please see the HPS Sentinel® Energy Efficient Distribution Transformer Selection Guide (DOESEL15) or the HPS Millennium™ G Medium Voltage Transformer Selection Guide (MILGMED15)



GENERAL INFORMATION

ALPHA NUMERIC PART NUMBER INDEX

Catalog Part No.	Catalog Page No.	Catalog Part No.	Catalog Page No.	Catalog Part No.	Catalog Page No.
NMK075KDC	171	NMK225DK	167	NMK750BKC	170
NMK075KK	168	NMK225DKC	170	NMK750DB	166
NMK075KCC	171	NMK225KB	167	NMK750DBC	170
NMK075KY	168	NMK225KBC	171	NMK750DK	167
NMK075PB	168	NMK225KD	167	NMK750DKC	170
NMK075PBC	172	NMK225KDC	171	NMK750KB	167
NMK075PD	169	NMK225KK	168	NMK750KBC	171
NMK075PDC	172	NMK225KCC	171	NMK750KD	167
NMK075PK	169	NMK225PB	168	NMK750KDC	171
NMK075PKC	172	NMK225PBC	172	NMK750KK	168
NMK112BB	166	NMK225PD	169	NMK750KCC	171
NMK112BBC	169	NMK225PDC	172	NMK750PB	168
NMK112BK	166	NMK225PK	169	NMK750PBC	172
NMK112BKC	170	NMK225PKC	172	NMK750PD	169
NMK112DB	166	NMK300BB	166	NMK750PDC	172
NMK112DBC	170	NMK300BBC	169	NMK750PK	169
NMK112DK	167	NMK300BK	166	NMK750PKC	172
NMK112DKC	170	NMK300BKC	170	NMT04K015KBF	176
NMK112KB	167	NMK300DB	166	NMT04K015KBS	176
NMK112KBC	171	NMK300DBC	170	NMT04K015PBF	176
NMK112KD	167	NMK300DK	167	NMT04K015PBS	176
NMK112KDC	171	NMK300DKC	170	NMT04K030KBN	176
NMK112KK	168	NMK300KB	167	NMT04K030KBS	176
NMK112KCC	171	NMK300KBC	171	NMT04K030PBN	176
NMK112KY	168	NMK300KD	167	NMT04K030PBS	176
NMK112PB	168	NMK300KDC	171	NMT04K045KBK	176
NMK112PBC	172	NMK300KK	168	NMT04K045KBS	176
NMK112PD	169	NMK300KCC	171	NMT04K045PBK	176
NMK112PDC	172	NMK300PB	168	NMT04K045PBS	176
NMK112PK	169	NMK300PBC	172	NMT04K075KBK	176
NMK112PKC	172	NMK300PD	169	NMT04K075KBS	176
NMK150BB	166	NMK300PDC	172	NMT04K075PBK	176
NMK150BBC	169	NMK300PK	169	NMT04K075PBS	176
NMK150BK	166	NMK300PKC	172	NMT04K112KBK	176
NMK150BKC	170	NMK500BB	166	NMT04K112KBS	176
NMK150DB	166	NMK500BBC	169	NMT04K112PBK	176
NMK150DBC	170	NMK500BK	166	NMT04K112PBS	176
NMK150DK	167	NMK500BKC	170	NMT04K150KBK	176
NMK150DKC	170	NMK500DB	166	NMT04K150KBS	176
NMK150KB	167	NMK500DBC	170	NMT04K150PBK	176
NMK150KBC	171	NMK500DK	167	NMT04K150PBS	176
NMK150KD	167	NMK500DKC	170	NMT04K225KBK	176
NMK150KDC	171	NMK500KB	167	NMT04K225KBS	176
NMK150KK	168	NMK500KBC	171	NMT04K225PBK	176
NMK150KCC	171	NMK500KD	167	NMT04K225PBS	176
NMK150PB	168	NMK500KDC	171	NMT04K300KBK	176
NMK150PBC	172	NMK500KK	168	NMT04K300KBS	176
NMK150PD	169	NMK500KCC	171	NMT04K300PBK	176
NMK150PDC	172	NMK500PB	168	NMT04K300PBS	176
NMK150PK	169	NMK500PBC	172	NMT04K500KBK	176
NMK150PKC	172	NMK500PD	169	NMT04K500KBS	176
NMK225BB	166	NMK500PDC	172	NMT04K500PBK	176
NMK225BBC	169	NMK500PK	169	NMT04K500PBS	176
NMK225BK	166	NMK500PKC	172	NMT04K750KBK	176
NMK225BKC	170	NMK750BB	166	NMT04K750KBS	176
NMK225DB	166	NMK750BBC	169	NMT04K750PBK	176
NMK225DBC	170	NMK750BK	166	NMT04K750PBS	176

Note: For DOE 2016 product information please see the HPS Sentinel® Energy Efficient Distribution Transformer Selection Guide (DOESEL15) or the HPS Millennium™ G Medium Voltage Transformer Selection Guide (MILGMED15)

GENERAL
INFORMATION



GENERAL INFORMATION

ALPHA NUMERIC PART NUMBER INDEX

Catalog Part No.	Catalog Page No.	Catalog Part No.	Catalog Page No.	Catalog Part No.	Catalog Page No.
NMT13K015KBKF.....	177	NMT20K112KBS.....	178	P045QKKF.....	205
NMT13K015KBS.....	177	NMT20K112PBK.....	178	P075KBKF.....	204
NMT13K015PBKF.....	177	NMT20K112PBS.....	178	P075KDKF.....	204
NMT13K015PBS.....	177	NMT20K150KBK.....	178	P075PBKF.....	204
NMT13K030KBKN.....	177	NMT20K150KBS.....	178	P075PDKF.....	205
NMT13K030KBS.....	177	NMT20K150PBK.....	178	P075QKKF.....	205
NMT13K030PBKN.....	177	NMT20K150PBS.....	178	P112KBKF.....	204
NMT13K030PBS.....	177	NMT20K225KBK.....	178	P112KDKF.....	204
NMT13K045KBK.....	177	NMT20K225KBS.....	178	P112PBKF.....	204
NMT13K045KBS.....	177	NMT20K225PBK.....	178	P112PDKF.....	205
NMT13K045PBK.....	177	NMT20K225PBS.....	178	P112QKKF.....	205
NMT13K045PBS.....	177	NMT20K300KBK.....	178	P150KBKF.....	204
NMT13K075KBK.....	177	NMT20K300KBS.....	178	P150KDKF.....	204
NMT13K075KBS.....	177	NMT20K300PBK.....	178	P150PBKF.....	204
NMT13K075PBS.....	177	NMT20K300PBS.....	178	P150PDKF.....	205
NMT13K075PBK.....	177	NMT20K500KBK.....	178	P150QKKF.....	205
NMT13K112KBK.....	177	NMT20K500KBS.....	178	PH1000AJ.....	36
NMT13K112KBS.....	177	NMT20K500PBK.....	178	PH1000MBMH.....	39
NMT13K112PBK.....	177	NMT20K500PBS.....	178	PH1000MEMX.....	40
NMT13K112PBS.....	177	NMT20K750KBK.....	178	PH1000MGJ.....	41
NMT13K112PBS.....	177	NMT20K750KBS.....	178	PH1000MLI.....	40
NMT13K150KBK.....	177	NMT20K750PBK.....	178	PH1000MQMJ.....	37
NMT13K150KBS.....	177	NMT20K750PBS.....	178	PH1000PG.....	39
NMT13K150PBK.....	177	P002KBKB.....	204	PH1000PP.....	38
NMT13K150PBS.....	177	P002KDKB.....	204	PH1000SP.....	38
NMT13K225KBK.....	177	P002PBKB.....	204	PH100AJ.....	36
NMT13K225KBS.....	177	P002PDKB.....	205	PH100AR.....	36
NMT13K225PBK.....	177	P002QKKB.....	205	PH100MBMH.....	39
NMT13K225PBS.....	177	P003KBKB.....	204	PH100MEMX.....	40
NMT13K300KBK.....	177	P003KDKB.....	204	PH100MGJ.....	41
NMT13K300KBS.....	177	P003PBKB.....	204	PH100MLI.....	40
NMT13K300PBK.....	177	P003PDKB.....	205	PH100MQMJ.....	37
NMT13K300PBS.....	177	P003QKKB.....	205	PH100PG.....	39
NMT13K300PBK.....	177	P006KBKF.....	204	PH100PP.....	38
NMT13K500KBK.....	177	P006KDKF.....	204	PH100QR.....	37
NMT13K500KBS.....	177	P006PBKF.....	204	PH100SP.....	38
NMT13K500PBK.....	177	P006PDKF.....	205	PH1500AJ.....	36
NMT13K500PBS.....	177	P006QKKF.....	205	PH1500MBMH.....	39
NMT13K750KBK.....	177	P009KBKF.....	204	PH1500MQMJ.....	37
NMT13K750KBS.....	177	P009KDKF.....	204	PH1500PP.....	38
NMT13K750PBK.....	177	P009PBKF.....	204	PH150AJ.....	36
NMT13K750PBS.....	177	P009PDKF.....	205	PH150AR.....	36
NMT20K015KBKF.....	178	P009QKKF.....	205	PH150MBMH.....	39
NMT20K015KBS.....	178	P015KBKF.....	204	PH150MEMX.....	40
NMT20K015PBKF.....	178	P015KDKF.....	204	PH150MGJ.....	41
NMT20K015PBS.....	178	P015PBKF.....	204	PH150MLI.....	40
NMT20K030KBKN.....	178	P015PDKF.....	205	PH150MQMJ.....	37
NMT20K030KBS.....	178	P015QKKF.....	205	PH150PG.....	39
NMT20K030PBKN.....	178	P030KBKF.....	204	PH150PP.....	38
NMT20K030PBS.....	178	P030KDKF.....	204	PH150QR.....	37
NMT20K045KBK.....	178	P030PBKF.....	204	PH150SP.....	38
NMT20K045KBS.....	178	P030PDKF.....	205	PH250AJ.....	36
NMT20K045PBK.....	178	P030QKKF.....	205	PH250AR.....	36
NMT20K045PBS.....	178	P045KBKF.....	204	PH250MBMH.....	39
NMT20K075KBK.....	178	P045KDKF.....	204	PH250MEMX.....	40
NMT20K075KBS.....	178	P045PBKF.....	204	PH250MGJ.....	41
NMT20K075PBK.....	178	P045PDKF.....	205	PH250MLI.....	40
NMT20K075PBS.....	178				
NMT20K112KBK.....	178				

Note: For DOE 2016 product information please see the HPS Sentinel® Energy Efficient Distribution Transformer Selection Guide (DOESEL15) or the HPS Millennium™ G Medium Voltage Transformer Selection Guide (MILGMED15)



GENERAL INFORMATION

ALPHA NUMERIC PART NUMBER INDEX

Catalog Part No.	Catalog Page No.	Catalog Part No.	Catalog Page No.	Catalog Part No.	Catalog Page No.
PH250MQMJ	37	PH75SP	38	Q037FEKF	201
PH250PG	39	Q002DTCF	88, 89	Q037LEKF	201
PH250PP	38	Q002DTCF	155	Q037PEKF	202
PH250QR	37	Q002ERCF	88, 89	Q037XEKF	202
PH250SP	38	Q002ERCF	155	Q037YEKF	201
PH350AJ	36	Q002ESCF	88, 89	Q1C0DTCB	88, 89
PH350AR	36	Q002ESCF	155	Q1C0DTCB	155
PH350MBMH	39	Q002FEKF	201	Q1C0ERCB	88, 89
PH350MEMX	40	Q002LEKF	201	Q1C0ERCB	155
PH350MGJ	41	Q002PEKF	202	Q1C0ESCB	88, 89
PH350MLI	40	Q002PRCF	61	Q1C0ESCB	155
PH350MQMJ	37	Q002XEKF	202	Q1C0FEKB	201
PH350PG	39	Q002YEKF	201	Q1C0LEKB	201
PH350PP	38	Q003DTCF	88, 89	Q1C0PEKB	202
PH350QR	37	Q003DTCF	155	Q1C0PRCB	62
PH350SP	38	Q003ERCF	88, 89	Q1C0XEKB	202
PH500AJ	36	Q003ERCF	155	Q1C0YEKB	201
PH500AR	36	Q003ESCF	88, 89	Q1C5DTCF	88, 89
PH500MBMH	39	Q003ESCF	155	Q1C5DTCF	155
PH500MEMX	40	Q003FEKF	201	Q1C5ERCF	88, 89
PH500MGJ	41	Q003LEKF	201	Q1C5ERCF	155
PH500MLI	40	Q003PEKF	202	Q1C5ESCF	88, 89
PH500MQMJ	37	Q003PRCF	62	Q1C5ESCF	155
PH500PG	39	Q003XEKF	202	Q1C5FEKF	201
PH500PP	38	Q003YEKF	201	Q1C5LEKF	201
PH500QR	37	Q005DTCF	88, 89	Q1C5PEKF	202
PH500SP	38	Q005DTCF	155	Q1C5PRCF	62
PH50AJ	36	Q005ERCF	88, 89	Q1C5XEKF	202
PH50AR	36	Q005ERCF	155	Q1C5YEKF	201
PH50MBMH	39	Q005ESCF	88, 89	QC05DTCB	88, 89
PH50MEMX	40	Q005ESCF	155	QC05DTCB	155
PH50MGJ	41	Q005FEKF	201	QC05ERCB	88, 89
PH50MLI	40	Q005LEKF	201	QC05ERCB	155
PH50MQMJ	37	Q005PEKF	202	QC05ESCB	88, 89
PH50PG	39	Q005PRCF	62	QC05ESCB	155
PH50PP	38	Q005XEKF	202	QC05PRCB	62
PH50QR	37	Q005YEKF	201	QC10DTCB	88, 89
PH50SP	38	Q007FEKF	201	QC10DTCB	155
PH750AJ	36	Q007LEKF	201	QC10ERCB	88, 89
PH750MBMH	39	Q007PEKF	202	QC10ERCB	155
PH750MEMX	40	Q007XEKF	202	QC10ESCB	88, 89
PH750MGJ	41	Q007YEKF	201	QC10ESCB	155
PH750MLI	40	Q010FEKF	201	QC10PRCB	62
PH750MQMJ	37	Q010LEKF	201	QC15DTCB	88, 89
PH750PG	39	Q010PEKF	202	QC15DTCB	155
PH750PP	38	Q010XEKF	202	QC15ERCB	88, 89
PH750SP	38	Q010YEKF	201	QC15ERCB	155
PH75AJ	36	Q015FEKF	201	QC15ESCB	88, 89
PH75AR	36	Q015LEKF	201	QC15ESCB	155
PH75MBMH	39	Q015PEKF	202	QC15PRCB	62
PH75MEMX	40	Q015XEKF	202	QC20DTCB	88, 89
PH75MGJ	41	Q015YEKF	201	QC20DTCB	155
PH75MLI	40	Q025FEKF	201	QC20ERCB	88, 89
PH75MQMJ	37	Q025LEKF	201	QC20ERCB	155
PH75PG	39	Q025PEKF	202	QC20ESCB	88, 89
PH75PP	38	Q025XEKF	202	QC20ESCB	155
PH75QR	37	Q025YEKF	201	QC20PRCB	62

Note: For DOE 2016 product information please see the HPS Sentinel® Energy Efficient Distribution Transformer Selection Guide (DOESEL15) or the HPS Millennium™ G Medium Voltage Transformer Selection Guide (MILGMED15)

GENERAL
INFORMATION



GENERAL INFORMATION

ALPHA NUMERIC PART NUMBER INDEX

Catalog Part No.	Catalog Page No.	Catalog Part No.	Catalog Page No.	Catalog Part No.	Catalog Page No.
QC25DTCB	88, 89	SP1000ACP	47	SP500AR	47
QC25DTCB	155	SP1000KHP	49	SP500KHP	49
QC25ERCB	88, 89	SP1000MQMJ	48	SP500KHR	49
QC25ERCB	155	SP1000NJ	50	SP500MQMJ	48
QC25ESCB	88, 89	SP1000SP	51	SP500NJ	50
QC25ESCB	155	SP100ACP	47	SP500PR	50
QC25PRCB	62	SP100AR	47	SP500QR	48
QC35DTCB	88, 89	SP100KHP	49	SP500SP	51
QC35DTCB	155	SP100KHR	49	SP500SR	51
QC35ERCB	88, 89	SP100MQMJ	48	SP50ACP	47
QC35ERCB	155	SP100NJ	50	SP50AR	47
QC35ESCB	88, 89	SP100PR	50	SP50KHP	49
QC35ESCB	155	SP100QR	48	SP50KHR	49
QC35PRCB	62	SP100SP	51	SP50MQMJ	48
QC50DTCB	88, 89	SP100SR	51	SP50NJ	50
QC50DTCB	155	SP1500ACP	45	SP50PR	50
QC50ERCB	88, 89	SP1500KHP	47	SP50QR	48
QC50ERCB	155	SP1500MQMJ	48	SP50SP	51
QC50ESCB	88, 89	SP1500NJ	50	SP50SR	51
QC50ESCB	155	SP1500SP	51	SP750ACP	47
QC50FECB	201	SP150ACP	47	SP750KHP	49
QC50LECB	201	SP150AR	47	SP750MQMJ	48
QC50PECB	202	SP150KHP	49	SP750NJ	50
QC50PRCB	62	SP150KHR	49	SP750SP	51
QC50XECB	202	SP150MQMJ	48	Y003CECB3LOU	213
QC50YECB	201	SP150NJ	50	Y003PKCB3LOU	213
QC75DTCB	88, 89	SP150PR	50	Y003QTCB3LOU	213
QC75DTCB	155	SP150QR	48	Y006CECB3LOU	213
QC75ERCB	88, 89	SP150SP	51	Y006PKCB3LOU	213
QC75ERCB	155	SP150SR	51	Y006QTCB3LOU	213
QC75ESCB	88, 89	SP2000ACP	47	Y009CECB3LOU	213
QC75ESCB	155	SP2000MQMJ	48	Y009PKCB3LOU	213
QC75FEKB	201	SP250ACP	47	Y009QTCF3LOU	213
QC75LEKB	201	SP250AR	47	Y015CECB3LOU	213
QC75PEKB	202	SP250KHP	49	Y015PKCB3LOU	213
QC75PRCB	62	SP250KHR	49	Y015QTCF3LOU	213
QC75XEKB	202	SP250MQMJ	48	Y030CECF3LOU	213
QC75YEKB	201	SP250NJ	50	Y030PKCF3LOU	213
RC0002M12	119	SP250PR	50	Y030QTCN3LOU	213
RC0004N65	119	SP250QR	48	Y045CECF3LOU	213
RC0008N30	119	SP250SP	51	Y045PKCN3LOU	213
RC0012N25	119	SP250SR	51	Y045QTCB3LOU	213
RC0018N15	119	SP3000ACP	47	Y075CECN3LOU	213
RC0025N12	119	SP3000MQMJ	48	Y075PKCN3LOU	213
RC0035P80	119	SP350ACP	47	Y075QTCB3LOU	213
RC0045P70	119	SP350AR	47	Y112PKCH3LOU	213
RC0055P50	119	SP350KHP	49	Y112QTCB3LOU	213
RC0080P40	119	SP350KHR	49	Y150PKCH3LOU	213
RC0110P30	119	SP350MQMJ	48	Y150QTCB3LOU	213
RC0130P20	119	SP350NJ	50	Y225PKCH3LOU	213
RC0160P15	119	SP350PR	50	Y225QTCB3LOU	213
RC0200P11	119	SP350QR	48	Y300PKCH3LOU	213
RC0250U90	119	SP350SP	51	Y500PKCH3LOU	213
RC0320U75	119	SP350SR	51		
RC0400U61	119	SP5000ACP	47		
RC0500U50	119	SP5000MQMJ	48		
RC0600U40	119	SP500ACP	47		

Note: For DOE 2016 product information please see the HPS Sentinel® Energy Efficient Distribution Transformer Selection Guide (DOESEL15) or the HPS Millennium™ G Medium Voltage Transformer Selection Guide (MILGMED15)



GENERAL INFORMATION

Yes, I am interested in receiving the following information on other HPS Products.

Literature Name	Code	Qty
Transformer Products Catalog	HTP-16	_____
Medium Voltage Dry-Type Distribution (Power) Transformers	HPWR	_____
HPS North American Capabilities Brochure	HPSNACB	_____
HPS DOE 2016 Flyer	DOEFLY15	_____
HPS Spartan® Industrial Open Core & Coil Control Transformer Brochure	SPACON	_____
HPS Imperator® Encapsulated Machine Tool Industrial Control Transformers	ENCCON	_____
HPS Fortress™ Commercial Encapsulated Brochure	FORPOT	_____
HPS Titan® Series Encapsulated Distribution Transformer Brochure	TSETB8	_____
HPS PowerPlus™ Mini Power Center Brochure	PWRPLS11	_____
Installation, Operation & Maintenance Guide - For Dry-Type Transformer Which utilize a NH Series, NJ1, NJ2, NJ3 Or NJ4 Enclosure	IOMGDDI	_____
Installation, Operation & Maintenance Guide - For Single Phase Encapsulated Transformers Up To 50 kVA	IOMGE1PH	_____
Installation, Operation & Maintenance Guide - For Three Phase Encapsulated Transformers Up To 150 kVA	IOMGE3PH	_____
Installation, Operation & Maintenance Guide - For Dry-Type Transformer Which Utilize A NJ6, NJ7 or P Series Enclosure	IOMGPOW	_____

The literature listed above is available either electronically as a free PDF download or paper copies. To access the free PDF versions, please go to "<http://www.hammondpowersolutions.com/more/>". To receive paper copies of any of the catalogs, brochures or flyers shown above, please fill in the information below, photocopy this page and fax it to the following:

FAX TO: Literature Services
 Hammond Power Solutions Inc.
 Canada: (519) 822-9688
 U.S.: (608) 356-2080

E-MAIL: catalog@hammondpowersolutions.com
Web: www.hammondpowersolutions.com

My need for Transformer Products is Immediate Future
 Please send me the name of your local HPS Sales Representative
 Please provide me with the name of the local Authorized HPS Distributor

Name: _____
 Company: _____
 Address: _____
 City, State: _____
 Zip Code: _____
 Telephone: _____
 Fax: _____

E-Mail Address: _____

Please check one:

- | | |
|---|---|
| <input type="checkbox"/> Electrical Distributor | <input type="checkbox"/> Electronic Distributor |
| <input type="checkbox"/> Contractor | <input type="checkbox"/> Panel Builder |
| <input type="checkbox"/> MRO | <input type="checkbox"/> OEM |
| <input type="checkbox"/> Consultant | <input type="checkbox"/> Engineering Firm |
| <input type="checkbox"/> Other: _____ | |

Note: For DOE 2016 product information please see the HPS Sentinel® Energy Efficient Distribution Transformer Selection Guide (DOESEL15) or the HPS Millennium™ G Medium Voltage Transformer Selection Guide (MILGMED15)



GENERAL INFORMATION